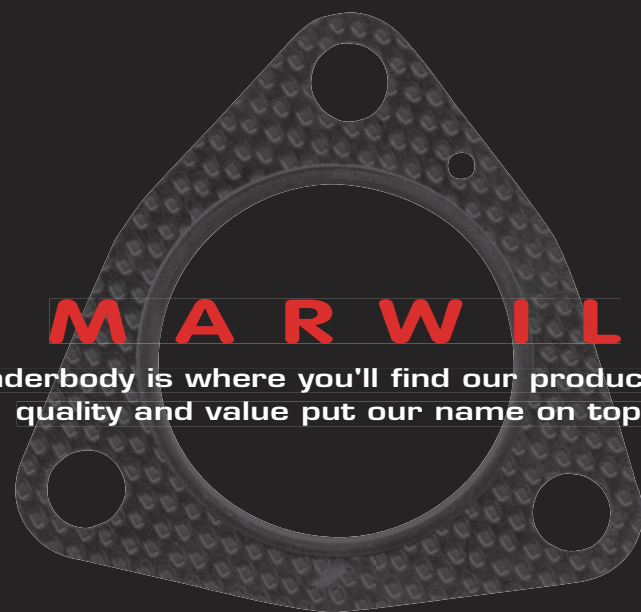


"THE" SUPPLIER OF CHOICE
Quality • Value • Service • Continuous Improvement



Underbody is where you'll find our products...
quality and value put our name on top.

● ■ ● ● ▲ ●
GROWING STRONG EVERY YEAR



THE COMPLETE EXHAUST ACCESSORY MASTER CATALOG

62 Elm Street • P.O. Box 287 • Fort Loramie, Ohio 45845
(800) 837-8116 • Fax: (937) 295-2835
marwil.com

CAT 2003

MARWIL
PRODUCTS
THE COMPLETE EXHAUST ACCESSORY MASTER CATALOG



The
Complete
Exhaust
Accessory
Master
Catalog

THE COMPLETE EXHAUST ACCESSORY MASTER CATALOG

TABLE OF CONTENTS

SECTION	PAGE
Bracket, Hangers & Wires	
Assortments	438
OEM Style	Listed By: 1. Make 2. Product Type 3. Part Number 38-124
Universal Style	Listed By: 1. Product Type 2. Part Number 15-37
Converter Plug	21
Grommets	27-28
Hangers	28-31
Heat Shield	31
Metal Bracket	21-26
Straps	
“L”	15-18
Metal	26-27
Muffler	31-32
Straight	18-21
Rubber	32
Wires	33-37
Clamps	Listed By: 1. Series 2. Size 3. Packaging Type
Air Tube	6
Band	12
Circular	11
Muffler	6-11
Flanges	125-170
Assortment	438
Flange Kits	169-170
OEM Style	Listed By: 1. Type 2. Port Hole I.D. 3. Part Number 135-157
Split Style	Listed By: 1. Make 2. Part Number 158-168
Universal Style	Listed By: 1. Type 2. Port Hole I.D. 3. Part Number 127-134
Flex Tubes	Listed By: 1. Type 2. Size 13-14
Spherical Joint System	14
Gaskets	
Application Data	236-427
Assortments	437-438
Collector	432-436
Universal	428-432
Hardware	
Bins	439-440
Bolts	
Header Bolts	210
Hexagon Cap Bolts	
Metric & US Standard Thread	209
Metric & US Full Thread	210
Shoulder Bolts	207
Pins	
Cotter	213
Bushings	
Specialized	213
Nuts	
Metric & US	212
Retainer Nuts	207
Screws	
Self-Tapping	211
Springs	208
Studs	
Manifold	211
Shoulder Studs	207-208
Special Applications	208

TABLE OF CONTENTS

SECTION	PAGE
Washers	
Crossover Discs.....	213
Flat.....	213
Lock.....	213
Square.....	213
Heat Risers	
Application Data.....	214-232
Illustrations.....	233-235
Mounting Kits.....	172-173
Spring Bolt Kits	
Application Data.....	174-201
Illustrations.....	202-206
Split Collars & Ball Joints.....	171
Tools & Shop Equipment	
Cement.....	441
Pipe Shaper.....	441
Saw Blades.....	441

DISCLAIMER

All dimensions listed in this catalog are representations and are used for referencing only. Marwil does not assume any liability for errors, omissions, or accuracy.

If you find any errors in this catalog, please do not hesitate to e-mail lan.ginga@marwil.com

PARTS NUMBER INDEX

PART #	PAGE	PART #	PAGE	PART #	PAGE	PART #	PAGE
14L	15	CCC2100B	6	E22ST	12	F66B	169
14S	18	CD120B	213	E22STB	12	F74B	146,164,166
14SNH	18	CD125B	213	E25ST	12	F80B	169
2H1300	18	CP100	21	E25STB	12	F90B	169
2H1300L	15	CP18X1	213	E27ST	12	F91B	171
2H1301	18	CP18X112	213	E27STB	12	F98B	171
2H1301L	15	CP18X212	213	E30ST	12	F99B	171
2H1301NH	18	CP2X22	213	E30STB	12	FCT400B	6
2H1303	18	CP316X212	213	E35ST	12	FCT500B	6
2H1303L	15	CS10X25	210	E35STB	12	FEH1014	123
2H1311	18	CS10X30	210	E40ST	12	FEH1147	40
2H1311L	15	CS10X30F	210	E40STB	12	FEH1151	122
2H1311LNH	15	CS10X40	210	E45ST	12	FEH1154	124
2H1311NH	19	CS10X40F	210	E45STB	12	FEH1162	41
2H1321	19	CS10X50F	210	E50ST	12	FEH1165	82
2H1321L	15	CS10X56	209	E50STB	12	FEH1178	120
2H1321LNH	15	CS10X76	209	E60ST	12	FEH1187	77,86,91,118
2H1321NH	19	CS120X312	209	E60STB	12	FEH1189	90
2H1331	19	CS140X100	210	EPB1001	21	FEH1192	47,59,103,113
2H1331L	15	CS380X100	210	EPB1021	21	FEH1196	47,59,103,113
2L	15	CS380X112	210	EPB1145	22	FEH1198	91
2S	19	CS380X112GR5	209	EPB5019	22	FEH1200	81
3L	16	CS380X114	209	EPB5031	22	FEH1203	40
3S	19	CS380X114GR5	209	EPB5104	22	FEH1204	82,119
4L	16	CS380X134	209	EPB5314	22	FEH124	124
4LNH	16	CS380X200	210	EPB5338	22	FEH304	71
4S	19	CS380X200FGR5	209	EPB5339	22	FEH554	47,52,60,95,104
5L	16	CS380X200GR5	209	EPB5641	22	113,116,117,119,120	
5S	19	CS380X212	210	F100B	141,159	FEH336	41
6L	16	CS380X212GR5	209	161,166,167		FEH337	41
6S	19	CS380X214	210	F101B	142,159	FEH341	95
7L	16	CS380X300	210	160,161,162		FEH342	74,124
7LNH	16	CS380X300GR5	209	F102B	142,159	FEH346	91,122
7S	19	CS380X312	209	160,161,166		FEH353	69
7SNH	20	CS380X312GR5	209	F103B	146,163,165	FEH354	70
9L	16	CS380X412	209	F104B	140,168	FEH358	117
9S	20	CS380X512	210	F105B	152,159,168	FEH366	119
9SNH	20	CS516X034	210	F106B	133,152	FEH376	77
AB1	438	CS516X100	210	158,161,162		FEH380	95
AB1B	438	CS516X112	210	F107B	145,163,	FEH391	120
AB2	438	CS516X114	209	64,165		FEH396	69,94
AB2B	438	CS516X134	209	F108B	143,161	FEH400	89,91
AB3	438	CS516X200	210	162,164,167		FEH400A	95
AB3B	438	CS516X200GR5	209	F109B	146,163	FEH403	70
AB6	438	CS516X212	209	F110B	154,163,167	FEH405	95
AB6B	438	CS516X212GR5	209	F112B	129,158	FEH406	117
AB8	438	CS516X214	209	F114B	129,158	FEH411	41
AB8B	438	CS516X300	210	F116B	130,158	FEH412	95
AB9	438	CS6X12	210	F118B	130,158	FEH413	60,82,89
AB9B	438	CS6X20	210	F120B	131,158	FEH448	88
BRN380C	212	CS6X30	210	F122B	131	FEH458	172
BRN380F	212	CS6X54	210	F124B	141,159	FEH459	172
BRN380X625	212	CS716X100	210	F138B	140,164	FEH460	116
BRN716C	212	CS716X112	210	F144B	153,162,165	FEH552	60,66,77,89,106
BRN716X625	212	CS716X200	209	F159B	142	FEH553	124
C150	6	CS716X212	209	F160B	153,163,165	FEH556	40,123
C162	6	CS716X300	209	F161B	141,160	FEH557	86
C175	6	CS716X400	209	161,166,168		FEH559	87
C187	6	CS8X20	210	F162B	142,160	FEH560	39,87
C200	6	CS8X25	210	162,166,168		FEH564	86
C212	6	CS8X30	210	F163B	146,164,165	FEH568	40,123
C225	6	CS8X40	210	F164B	141,160,162	FEH589	86
C250	6	CS8X55	210	163,165		FEH622	122
CCC2012B	6	CS8X76	209	F165B	131,159	FEH631	122
CCC2034B	6	E20ST	12	F35B	170	FEH642	116
CCC2058B	6	E20STB	12	F45B	170	FEH650-1	68

PARTS NUMBER INDEX

PART #	PAGE	PART #	PAGE	PART #	PAGE	PART #	PAGE
FEH650-B	213	FMK931	208	FT22510N	13	FW914	36
FEH650-F	68	FMK932	204	FT25004N	13	FW915	36
FEH651	68,72	FMK933	208	FT25006N	13	FW916	68,86
FEH652	69,72	FMK934	207	FT25008B	13	FW917	79
FEH667	32	FMK935	207	FT25008N	13	FW918	120
FEH668	22	FMK936	207	FT25010B	13	FW919	88,96
FEH835	122	FMK937	207	FT25010N	13	FW921	36
FEH867	48,52,60,82	FMK938	208	FT30004N	13	FW922	36
	87,119,120	FMK939	207	FT30006N	13	FW923	37
FEH869	117	FMK940	204	FT30008N	13	FW924	173
FEH880	106,119,121	FMK941	204	FT30010B	13	FW925	173
FEH908	70,73,94,96,97	FMK942	204	FW002	33	FW926	173
FEH939	96	FMK943	207	FW003	33	G180B	428
FEH940	121	FMK944	207	FW004	33	G182B	429
FEH941	60,87,96	FMK945	207	FW005	33	G184B	429
FEH942	92	FMK946	205	FW006	33	G186B	429
FEH946	96	FMK947	205	FW007	33	G187B	429
FEH950	95	FMK948	205	FW008	33	G189B	430
FEH952	118	FMK949	205	FW013	36	G190B	430
FEH954	120,121	FMK950	205	FW014	37	G191B	430
FL200	155	FMK951	205	FW015	37	G1B	428
FL225	156	FMK952	205	FW016	37	G2B	428
FL250	156	FMK953	205	FW114	78	G3B	428
FL300	156	FMK969	205	FW115	78	G4B	428
FMK1000	172	FMK971	205	FW200	49,62,105,115	G748B	431
FMK1001	202	FMK995	206	FW202	67,85	G768B	431
FMK423	202	FMK997	206	FW204	67,85	G822B	430
FMK424	202	FN380	212	FW206	67,85	G1150B	7
FMK433	202	FN516H	212	FW208	62,119	G1175B	7
FMK434	202	FN516S	212	FW210	37	G1188B	7
FMK435	202	FPT234B	6	FW212	37	G1200B	7
FMK441	202	FPT300B	6	FW214	37	G1225B	7
FMK442	202	FPT312B	6	FW380X112	213	G1250B	7
FMK446	202	FPT314B	6	FW380X114	213	G1275B	7
FMK447	202	FPT400B	6	FW516X114	213	G1300B	7
FMK449	203	FPT412B	6	FW710	34	GR118	27
FMK450	203	FPT500B	6	FW711	34	GR119	27
FMK451	203	FPT512B	6	FW733	34	GR120	27
FMK480	203	FPT600B	6	FW734	34	GR121	27
FMK487	203	FT13404B	13	FW736	34	GR95	27
FMK491	203	FT13404N	13	FW805	34	GR96	28
FMK498	203	FT13406B	13	FW822	34	H1311	20
FMK499	203	FT13406N	13	FW830	34	H1311L	16
FMK500	203	FT13408B	13	FW832	34	H1321	20
FMK501	203	FT13408BI	13	FW836	34	H1321L	16
FMK909	208	FT13408N	13	FW848	35	H1331	20
FMK910	208	FT13408NI	14	FW857	35	H150	7
FMK911	208	FT13410B	13	FW860	35	H175	7
FMK912	208	FT13410N	13	FW862	35	H187	7
FMK913	208	FT13410NI	14	FW864	35	H200	7
FMK914	207	FT20004B	13	FW872	35	H212	7
FMK915	207	FT20004N	13	FW876	35	H225	7
FMK916	207	FT20006B	13	FW878	35	H250	7
FMK917	207	FT20006N	13	FW882	33	H300	7
FMK918	207	FT20008B	13	FW884	33	HB380X100	210
FMK920	207	FT20008BI	13	FW886	49,52,105,115	HDSS175	7
FMK921	207	FT20008N	13	FW887	42,53,98,106	HDSS200	7
FMK922	207	FT20008NI	14	FW888	35	HDSS225	7
FMK923	204	FT20010B	13	FW897	35	HDSS250	7
FMK924	204	FT20010N	13	FW898	79	HDSS300	7
FMK925	204	FT20010NI	14	FW899	37	HN120C	212
FMK926	208	FT22504N	13	FW900	67,85	HN120F	212
FMK927	204	FT22506N	13	FW904	79	HN140C	212
FMK928	204	FT22508B	13	FW910	36	HN380C	212
FMK929	204	FT22508N	13	FW912	29	HN380F	212
FMK930	208	FT22510B	13	FW913L	29	HN516C	212

PARTS NUMBER INDEX

PART #	PAGE	PART #	PAGE	PART #	PAGE	PART #	PAGE
HN516F.....	212	HR818.....	235	MP48039.....	435	PC150T.....	10
HN716C.....	212	HR819.....	235	MP48040.....	435	PC162.....	9
HN716F.....	212	HR903.....	235	MP48041.....	435	PC162B.....	9
HN716X580.....	212	HR915.....	235	MP5973HT.....	435	PC162BBN.....	10
HPC150.....	8	HR92.....	235	MP5974HT.....	435	PC162T.....	10
HPC150B.....	8	L20AA.....	12	MP5975HT.....	436	PC175.....	9
HPC150BP.....	8	L20SA.....	12	MP5976HT.....	436	PC175B.....	9
HPC150P.....	9	L22AA.....	12	MP5977HT.....	436	PC175BBN.....	10
HPC175.....	8	L22SA.....	12	MP5978HT.....	436	PC175BP.....	10
HPC175B.....	8	L25AA.....	12	MP5979HT.....	436	PC175P.....	10
HPC175BP.....	8	L25SA.....	12	MS101254.....	211	PC175T.....	10
HPC175P.....	9	L27AA.....	12	MS10150.....	211	PC187.....	9
HPC175T.....	9	L27SA.....	12	MS10450.....	207	PC187B.....	9
HPC187.....	8	L30AA.....	12	MS10X65.....	211	PC187BBN.....	10
HPC187B.....	8	L30SA.....	12	MS11.....	20	PC187BP.....	10
HPC187BP.....	8	L35AA.....	12	MS12125.....	211	PC187P.....	10
HPC187P.....	9	L35SA.....	12	MS14.....	20	PC187T.....	10
HPC187T.....	9	L40AA.....	12	MS3.....	20	PC200.....	9
HPC200.....	8	L40SA.....	12	MS38200.....	211	PC200B.....	9
HPC200B.....	8	L45AA.....	12	MS38214.....	208	PC200BBN.....	10
HPC200BP.....	8	L45SA.....	12	MS38224.....	211	PC200BP.....	10
HPC200P.....	9	L50AA.....	12	MS38225.....	211	PC200P.....	10
HPC200T.....	9	L50SA.....	12	MS38314.....	211	PC200T.....	10
HPC212.....	8	L60AA.....	12	MS38325.....	211	PC212.....	9
HPC212B.....	8	L60SA.....	12	MS38350.....	211	PC212B.....	9
HPC212T.....	9	LW120.....	213	MS4.....	20	PC212BBN.....	10
HPC225.....	8	LW140.....	213	MS4NH.....	21	PC212T.....	10
HPC225B.....	8	LW380.....	213	MS5.....	21	PC225.....	9
HPC225BP.....	8	LW516.....	213	MS6.....	21	PC225B.....	9
HPC225P.....	9	LW716.....	213	MS7.....	21	PC225BBN.....	10
HPC225T.....	9	MAR2000HQ.....	437	MS716158.....	211	PC225BP.....	10
HPC250.....	8	MB11.....	17	MS716200.....	211	PC225P.....	10
HPC250B.....	8	MB14.....	17	MS716250.....	211	PC225T.....	10
HPC250BP.....	8	MB1400BIN.....	439	MS716300.....	211	PC250.....	9
HPC250P.....	9	MB2.....	17	MS716350.....	211	PC250B.....	9
HPC250T.....	9	MB3.....	17	MS716400.....	211	PC250BBN.....	10
HPC275.....	8	MB4.....	17	MS7NH.....	21	PC250BP.....	10
HPC275B.....	8	MB4NH.....	17	MS8125.....	211	PC250P.....	10
HPC275BP.....	8	MB5.....	17	MS9.....	21	PC250T.....	10
HPC275P.....	9	MB5NH.....	17	MS9NH.....	21	PH175B.....	11
HPC300.....	8	MB6.....	17	MSP1200B.....	439	PH187B.....	11
HPC300B.....	8	MB7.....	17	MSP1200BIN.....	439	PH200B.....	11
HPC300BP.....	8	MB7NH.....	18	MSP233B.....	440	PH225B.....	11
HPC300P.....	9	MB9.....	18	MSP233BIN.....	440	PH250B.....	11
HPC350.....	8	MB9NH.....	18	NT10X125MT.....	212	PS95150.....	441
HPC400.....	8	MCD.....	441	NT10X150BR.....	212	PW012X138.....	213
HPC450.....	8	MCS.....	441	NT10X150CPL.....	212	PW014X625.....	213
HPC500.....	8	MG10.....	31	NT10X150CPS.....	212	PW380X081.....	213
HR005.....	233	MG8.....	31	NT10X150HN.....	212	PW380X100.....	213
HR006.....	233	MG9.....	31	NT10X150MT.....	212	PW516X068.....	213
HR023.....	233	MP48002.....	432	NT10X150MTL.....	212	PW516X087.....	213
HR024.....	233	MP48004.....	432	NT12X125F.....	212	PW716X094.....	213
HR024B.....	233	MP48005.....	432	NT12X125MT.....	212	PW716X114.....	213
HR034.....	233	MP48006.....	433	NT6X100MT.....	212	SB95004.....	441
HR034B.....	233	MP48017.....	433	NT8X100MTL.....	212	SB95005.....	441
HR114.....	233	MP48024.....	433	NT8X125CPL.....	212	SB95006.....	441
HR150.....	234	MP48025.....	433	NT8X125CPS.....	212	SB95007.....	441
HR155.....	234	MP48026.....	433	NT8X125MT.....	212	SB95008.....	441
HR200.....	234	MP48028.....	433	PC118.....	9	SB95009.....	441
HR320.....	234	MP48029.....	434	PC125.....	9	SF003.....	133
HR427A.....	234	MP48030.....	434	PC138.....	9	SF004.....	129
HR427B.....	234	MP48031.....	434	PC150.....	9	SF005.....	130
HR465.....	234	MP48031.....	435	PC150B.....	9	SF006.....	130
HR475.....	234	MP48032.....	434	PC150BBN.....	10	SF007.....	130
HR650.....	235	MP48033.....	434	PC150BP.....	10	SF008.....	131
HR650B.....	235	MP48034.....	434	PC150P.....	10	SF009.....	150

PARTS NUMBER INDEX

PART #	PAGE	PART #	PAGE	PART #	PAGE	PART #	PAGE
SF010.....	142	SF285.....	133	SF951.....	153	TH1084B.....	75
SF012.....	140	SF295.....	156	SF952.....	150	TH1088B.....	207
SF013.....	144	SF322.....	133	SF954.....	131	TH1090K.....	173
SF014.....	143	SF656.....	148	SF955.....	140	TH1094B.....	120
SF015.....	131	SF668.....	141	SF956.....	148	TH936B.....	80
SF016.....	144	SF670.....	141	SF957.....	150	TH969B.....	26
SF023.....	144	SF672.....	145	SF958.....	149	TH981B.....	95
SF024.....	144	SF768.....	152	SF959.....	149	TH986B.....	113
SF025.....	143	SF770.....	129	SF960.....	149	TH989B.....	75
SF030.....	144	SF771.....	131	SF961.....	152	TH991B.....	62,82
SF032.....	146	SF772.....	130	SF962.....	150	TPH1000B.....	65,84
SF033.....	149	SF773.....	149	SF965.....	155	TPH1001B.....	96
SF034.....	149	SF775.....	152	SF966.....	156	TPH1002B.....	88
SF037.....	145	SF776.....	129	SF967.....	132	TPH1003B.....	55,108
SF038.....	146	SF777.....	129	SF968.....	131	TPH1004B.....	41
SF039.....	145	SF780.....	132	SF969.....	152	TPH1005B.....	39,87
SF040.....	147	SF781.....	133,153	SJS2.....	14	TPH1006B.....	70,74,94
SF041.....	141	SF781NH.....	133	SPC150B.....	11	TPH1007B.....	70,74
SF043.....	132,151	SF782.....	134,154	SPC162B.....	11	TPH1008B.....	117
SF044.....	147	SF782NH.....	134	SPC175B.....	11	TPH1009B.....	73
SF045.....	146	SF788.....	155	SPC187B.....	11	TPH1010B.....	52,60
SF048.....	152	SF792.....	155	SPC200B.....	11	TPH1011B.....	79,92
SF049.....	145	SF794.....	155	SPC200BP.....	11	TPH1012B.....	81
SF054.....	142	SF796.....	145	SPC212B.....	11	TPH1013B.....	67,85
SF055.....	142	SF798.....	156	SPC225B.....	11	TPH1014B.....	73,90
SF058.....	146	SF800.....	149	SPC225BP.....	11	TPH1015B.....	72
SF060.....	140	SF839.....	132,151	SPC250B.....	11	TPH1016B.....	42,98,106
SF062.....	145	SF848.....	132,151	SPC250BP.....	11	TPH1017B.....	120
SF064.....	153	SF851.....	132,151	SSSF15.....	170	TPH1018B.....	117
SF066.....	145	SF864.....	153	SSSF17.....	170	TPH101B.....	62
SF069.....	144	SF865.....	157	ST380X100.....	211	TPH1020B.....	79
SF073.....	141	SF866.....	157	ST380X112.....	211	TPH1021B.....	79
SF077.....	141	SF868.....	157	ST516X034.....	211	TPH1023B.....	72
SF082.....	146	SF869.....	157	ST516X100.....	211	TPH1024B.....	81
SF087.....	142	SF875.....	148	ST516X112.....	211	TPH1025B.....	80
SF088.....	129	SF878.....	151	ST516X114.....	211	TPH1026B.....	46,58,102,112
SF089.....	144	SF881.....	130	ST6X20VW.....	211	TPH102B.....	22
SF100.....	144	SF882.....	148	ST8X30.....	211	TPH1030B.....	28
SF103.....	145	SF885.....	153	ST8X40.....	211	TPH1033B.....	72
SF104.....	149	SF887.....	148	TH100.....	123	TPH1034B.....	41
SF108.....	129	SF888.....	131,149	TH1002B.....	77	TPH1035B.....	43,55
SF109.....	148	SF895.....	156	TH1007B.....	70,73,94	100,108
SF111.....	148	SF901.....	130	TH1008B.....	31	TPH1035BP.....	44,55
SF115.....	140	SF902.....	151	TH1013B.....	8,52,70,96	100,108
SF119.....	133	SF905.....	148	104,113	TPH1036B.....	32,49,61
SF121.....	151	SF906.....	146	TH1015B.....	80	105,114
SF133.....	133	SF908.....	142	TH1017B.....	62,82	TPH1037B.....	81
SF139.....	141	SF909.....	157	TH1018B.....	52,77,92	TPH103B.....	11
SF141.....	143	SF910.....	157	TH1019B.....	80	TPH105B.....	11
SF143.....	154	SF915.....	142	TH1026B.....	73	TPH107B.....	11
SF147.....	153	SF917.....	154	TH1027B.....	80	TPH110B.....	11
SF148.....	152	SF918.....	149	TH1029B.....	121	TPH1156B.....	72
SF149.....	154	SF920.....	157	TH1042B.....	121	TPH1166B.....	76
SF151.....	143	SF921.....	157	TH1049B.....	92	TPH1168B.....	113
SF157.....	145	SF922.....	148	TH1050B.....	58,112	TPH1170B.....	77
SF161.....	155	SF923.....	143	TH1051B.....	62,82	TPH1193B.....	56,109
SF164.....	133	SF925.....	157	TH1054B.....	93	TPH1197B.....	42,53,89
SF166.....	130	SF926.....	153	TH1055B.....	123	98,106
SF177.....	130	SF928.....	153	TH1056B.....	123	TPH1199B.....	96
SF188.....	131	SF929.....	152	TH1058B.....	116	TPH1201B.....	97
SF199.....	150	SF939.....	143	TH1060B.....	68,86	TPH1210B.....	23
SF225.....	171	SF942.....	133,154	TH1066B.....	66,85,104	TPH1212B.....	23
SF250.....	171	SF944.....	148	TH1068B.....	66,85	TPH1216B.....	31,80
SF251.....	129	SF946.....	150	TH1075B.....	80	TPH121B.....	23
SF273.....	143	SF948.....	129	TH1076B.....	123	TPH1220B.....	23
SF279.....	147	SF949.....	152	TH1083B.....	115	TPH1222B.....	23

PARTS NUMBER INDEX

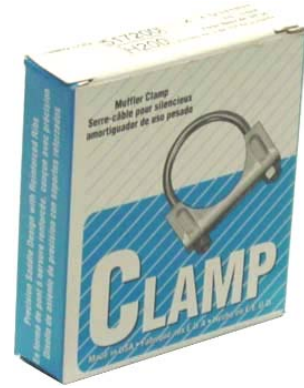
PART #	PAGE	PART #	PAGE	PART #	PAGE	PART #	PAGE
TPH1224B	23	TPH189B	25,63	TPH24BP	30		102,111
TPH1228B	23	TPH190B	42,50,53,64	TPH24LB	30	TPH859B	118
TPH1230B	23		83,98,107	TPH24MB	30	TPH85B	26
TPH1232B	23	TPH191B	25	TPH258B	28	TPH860B	43,54,99,108
TPH1234B	23	TPH191LB	47,51,59,66,69	TPH25B	30	TPH861B	43,54,99,108
TPH1242B	32,49,61		84,90,103,112	TPH31B	47,59,66	TPH863B	48,52,61
	105,115	TPH193B	48,60,67	TPH341B	76		104,114
TPH1246B	24		104,114	TPH343B	76	TPH868B	75
TPH1250B	44,56,100,109	TPH195B	42,53,64,98,107	TPH344B	76	TPH869B	26
TPH1254B	56	TPH197B	64	TPH35B	31	TPH870B	46,51,58
TPH1256B	44,56,101,109	TPH199B	45,51,57	TPH360B	78		102,112
TPH1260B	67,85		101,110	TPH361B	32,75,81	TPH874B	48,52,61
TPH1266B	63,82,98	TPH201B	42,50,53,64	TPH362B	78,81,92		105,114
TPH1268B	63,83		99,107	TPH363B	78	TPH877B	26
TPH1270B	63,83	TPH202B	47,51,59,	TPH367B	68,86	TPH91B	29
TPH1272B	63,83		03,112	TPH36B	31	TPH929B	65
TPH1274B	63,83	TPH206B	45,57,101,110	TPH377B	68,72	TPH92B	29
TPH1280B	69	TPH207B	45,57,65	TPH41	31	TPH932B	26
TPH1282B	70,94		101,110	TPH422B	115	TPH95B	26
TPH1284B	71	TPH208B	45,57,65	TPH425B	78	TPH979B	79
TPH1286B	77		101,110	TPH43B	28	TPH980B	27
TPH1288B	77,92	TPH209B	64,83	TPH444B	37	TPH984B	69
TPH1292B	75	TPH21	29	TPH460B	76,90	TPH984K	173
TPH1294B	76	TPH210B	50,64,69,83	TPH461B	48,61,104,114	TPH998B	26
TPH1296B	76	TPH211B	28	TPH51B	25	TPH999B	71
TPH1298B	75	TPH211BL	26	TPH52B	25	X004476	12
TPH1300B	31,80	TPH211BR	32	TPH53B	25	X004478	12
TPH1302B	91	TPH212B	43,53,99,107	TPH53LB	25	X004480	12
TPH1310B	105,115	TPH213B	45,57,101,110	TPH54B	213	X004482	12
TPH1312B	112	TPH214B	45,57,65	TPH61B	28	X004484	12
TPH1314B	48,104,114		102,111	TPH632B	39,46,58	X004536	12
TPH1315B	66,84	TPH217B	45,57,65,111		102,111	X004537	12
TPH1316B	73	TPH218B	45,51,102,111	TPH685B	25	X004538	12
TPH1317B	72	TPH21B	29	TPH70B	28	X004539	12
TPH1318B	46,58,103,112	TPH21B-BLANK	29	TPH71B	28	X004962	12
TPH1319B	76	TPH21BP	30	TPH71BL	26	X006202	12
TPH131B	42,53,98,106	TPH21LB	30	TPH71BXHD	29	X006203	12
TPH1320B	78	TPH21MB	30	TPH72B	29	X006204	12
TPH1322B	81,92	TPH220B	48,60,67	TPH73B	31	X006463	12
TPH1326B	63,107		104,114	TPH749B	25		
TPH1327B	65,84	TPH221B	28	TPH74B	27		
TPH1328B	55	TPH221BR	32	TPH75B	27		
TPH1329B	75,93	TPH222B	57,111	TPH763B	90		
TPH1330B	75,93	TPH223B	49,61,105,115	TPH769B	25,43,54		
TPH1331B	118	TPH225B	43,54,99,107		99,108		
TPH1332B	24	TPH226B	61,114	TPH770B	54,69		
TPH1333B	172	TPH227B	47,59,66	TPH772B	71		
TPH145B	24		103,113	TPH77B	27,54,108		
TPH146B	56,84,101,110	TPH22B	30	TPH781B	33,49,61		
TPH147B	56,84,101,110	TPH230B	44,55,100,109		105,115		
TPH151LB	36	TPH231B	36	TPH793B	47,59,66,81		
TPH151SB	36	TPH232B	43,54,64		103,113		
TPH15B	28		84,99,107	TPH81B	29		
TPH160B	32,65	TPH234B	44,50,55	TPH81BL	27		
TPH161B	24		100,109	TPH833B	116		
TPH162B	24	TPH234BP	44,50,55	TPH834B	39,116		
TPH163B	24		100,109	TPH838B	40,78,123		
TPH166B	56,110	TPH235B	26,43,50	TPH852B	46,51,58		
TPH171B	24		54,99,108		102,111		
TPH174B	24	TPH237B	32	TPH856B	44,50,55		
TPH175B	24	TPH238B	32		100,109		
TPH180B	42,53,63	TPH239B	32	TPH856BP	44,50,56		
	83,98,107	TPH240B	64,84		100,109		
TPH180MB	24	TPH242B	36	TPH857B	46,51,58		
TPH181B	25	TPH24B	30		102,111		
TPH188B	46,59,103,112	TPH24B-BLANK	30	TPH858B	46,51,58		

MUFFLER CLAMPS

INSTALLER SERIES STANDARD: STANDARD DUTY SADDLE, ROUND HOLES, 5/16" U-BOLT WITH FLANGE NUTS

<u>SIZE</u>	<u>PART NO.</u>	<u>SIZE</u>	<u>PART NO.</u>
1-1/2"	C150	2"	C200
1-5/8"	C162	2-1/8"	C212
1-3/4"	C175	2-1/4"	C225
1-7/8"	C187	2-1/2"	C250

INDIVIDUALLY BOXED WITH TRI-LINGUAL DESCRIPTIONS, PACKED AND SOLD 50 TO A CASE



AIR TUBE: STANDARD SADDLE, 1/4" U-BOLT WITH FLANGE NUTS, ZINC PLATED

<u>SIZE</u>	<u>PART NO.</u>
1/2"	CCC2012B
3/4"	CCC2034B
5/8"	CCC2058B
1"	CCC2100B

BULK ASSEMBLED - MASTER PACK 25



TRUCK SERIES: HEAVY DUTY WELDED SADDLE, 3/8" FLAT U-BOLT, FLANGE NUTS, BRIGHT CHROME

<u>SIZE</u>	<u>PART NO.</u>
4"	FCT400B
5"	FCT500B

INDIVIDUALLY BOXED MASTER CARTON 10



TRUCK SERIES: HEAVY DUTY WELDED SADDLE, 3/8" FLAT U-BOLT, FLANGE NUTS, ZINC PLATED

<u>SIZE</u>	<u>PART NO.</u>
2-3/4"	FPT234B
3"	FPT300B
3-1/4"	FPT314B
3-1/2"	FPT312B
4"	FPT400B
4-1/2"	FPT412B
5"	FPT500B
5-1/2"	FPT512B
6"	FPT600B

2-3/4" – 4" INDIVIDUALLY BOXED – MASTER PACK 50
4-1/2" – 6" INDIVIDUALLY BOXED – MASTER PACK 20



MUFFLER CLAMPS

GUILLOTINE STYLE: 360 SEAL DESIGN 5/16" U-BOLT

<u>SIZE</u>	<u>PART NO.</u>
1-1/2"	GI150B
1-3/4"	GI175B
1-7/8"	GI188B
2"	GI200B
2-1/4"	GI225B
2-1/2"	GI250B
2-3/4"	GI275B *
3"	GI300B *

1-1/2" - 2-3/4" BULK ASSEMBLED - MASTER PACK 50
 3" BULK ASSEMBLED - MASTER PACK 25

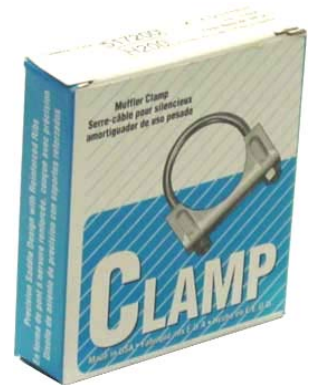
* 3/8" U-BOLT



PROFESSIONAL PLUS: HEAVY DUTY SADDLE WITH ROUND HOLES, 3/8" U-BOLT WITH FLANGE NUTS

<u>SIZE</u>	<u>PART NO.</u>
1-1/2"	H150
1-3/4"	H175
1-7/8"	H187
2"	H200
2-1/8"	H212
2-1/4"	H225
2-1/2"	H250
3"	H300

1-1/2"-2-1/2" INDIVIDUALLY BOXED WITH TRI-LINGUAL DESCRIPTIONS,
 PACKED AND SOLD 50 TO A CASE
 3" INDIVIDUALLY BOXED WITH TRI-LINGUAL DESCRIPTIONS,
 PACKED AND SOLD 10 TO A CASE



PERMA-HOLD® STAINLESS STEEL: HEAVY DUTY SADDLE WITH PATENTED ANGLE HOLES, 3/8" U-BOLT WITH FLANGE NUTS

<u>SIZE</u>	<u>PART NO.</u>
1-3/4"	HDSS175
2"	HDSS200
2-1/4"	HDSS225
2-1/2"	HDSS250
3"	HDSS300

INDIVIDUALLY PACKAGED - MASTER PACK 10



MUFFLER CLAMPS

PROFESSIONAL PLUS: HEAVY DUTY SADDLE WITH ROUND HOLES, 3/8" U-BOLT WITH FLANGE NUTS

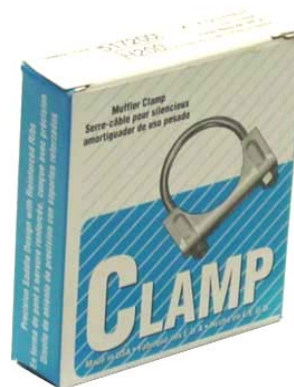
<u>SIZE</u>	<u>PART NO.</u>	<u>SIZE</u>	<u>PART NO.</u>
1-1/2"	HPC150	2-3/4"	HPC275
1-3/4"	HPC175	3"	HPC300 *
1-7/8"	HPC187	3-1/2"	HPC350 *
2"	HPC200	4"	HPC400 *
2-1/8"	HPC212	4-1/2"	HPC450 *
2-1/4"	HPC225	5"	HPC500 *
2-1/2"	HPC250		

1-1/2" - 2-1/2" INDIVIDUALLY BOXED WITH TRI-LINGUAL DESCRIPTIONS, PACKED AND SOLD 50 A CASE

2-3/4" - 4-1/2" INDIVIDUALLY BOXED WITH TRI-LINGUAL DESCRIPTIONS, PACKED AND SOLD 10 A CASE

5" INDIVIDUALLY BOXED WITH TRI-LINGUAL DESCRIPTIONS, PACKED AND SOLD 20 A CASE

* 3" - 5" ROUND U-BOLT WITH WELDED SADDLE



PROFESSIONAL PLUS: HEAVY DUTY SADDLE WITH ROUND HOLES, 3/8" U-BOLT WITH FLANGE NUTS

<u>SIZE</u>	<u>PART NO.</u>	<u>SIZE</u>	<u>PART NO.</u>
1-1/2"	HPC150B	2-1/4"	HPC225B
1-3/4"	HPC175B	2-1/2"	HPC250B
1-7/8"	HPC187B	2-3/4"	HPC275B
2"	HPC200B	3"	HPC300B *
2-1/8"	HPC212B		

1-1/2" - 2-1/2" BULK ASSEMBLED - MASTER PACK 50, 100

2-3/4" - 3" BULK ASSEMBLED - MASTER PACK 50

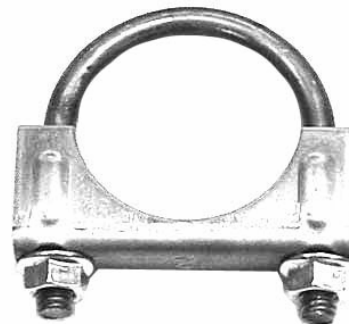
* 3" ROUND U-BOLT WITH WELDED SADDLE



PROFESSIONAL PLUS: HEAVY DUTY SADDLE WITH ROUND HOLES, 3/8" U-BOLT WITH FLANGE NUTS, ZINC PLATED BULK PACKAGING

<u>SIZE</u>	<u>PART NO.</u>	<u>SIZE</u>	<u>PART NO.</u>
1-1/2"	HPC150BP	2-1/4"	HPC225BP
1-3/4"	HPC175BP	2-1/2"	HPC250BP
1-7/8"	HPC187BP	2-3/4"	HPC275BP
2"	HPC200BP	3"	HPC300BP

BULK ASSEMBLED - MASTER PACK 50



MUFFLER CLAMPS

PROFESSIONAL PLUS: HEAVY DUTY SADDLE WITH ROUND HOLES, 3/8" U-BOLT WITH FLANGE NUTS, ZINC PLATED INDIVIDUAL POLY BAGGED

<u>SIZE</u>	<u>PART NO.</u>	<u>SIZE</u>	<u>PART NO.</u>
1-1/2"	HPC150P	2-1/4"	HPC225P
1-3/4"	HPC175P	2-1/2"	HPC250P
1-7/8"	HPC187P	2-3/4"	HPC275P
2"	HPC200P	3"	HPC300P

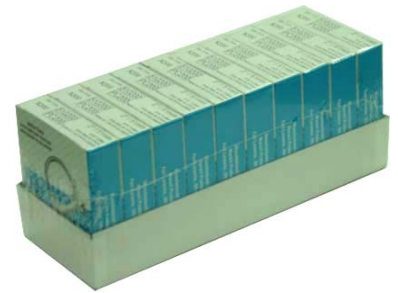
INDIVIDUALLY POLY BAGGED - MASTER PACK 50



PROFESSIONAL PLUS: HEAVY DUTY SADDLE WITH ROUND HOLES, 3/8" U-BOLT WITH FLANGE NUTS

<u>SIZE</u>	<u>PART NO.</u>	<u>SIZE</u>	<u>PART NO.</u>
1-3/4"	HPC175T	2-1/8"	HPC212T
1-7/8"	HPC187T	2-1/4"	HPC225T
2"	HPC200T	2-1/2"	HPC250T

INDIVIDUALLY BOXED - 10 PER TRAY, SKIN PACKED, 50 TO A CASE



INSTALLER SERIES STANDARD: STANDARD DUTY SADDLE, ROUND HOLES, 5/16" U-BOLT WITH FLANGE NUTS

<u>SIZE</u>	<u>PART NO.</u>	<u>SIZE</u>	<u>PART NO.</u>
1-1/8"	PC118	1-7/8"	PC187
1-1/4"	PC125	2"	PC200
1-3/8"	PC138	2-1/8"	PC212
1-1/2"	PC150	2-1/4"	PC225
1-5/8"	PC162	2-1/2"	PC250
1-3/4"	PC175		

INDIVIDUALLY BOXED WITH TRI-LINGUAL DESCRIPTIONS, PACKED AND SOLD 50 TO A CASE



INSTALLER SERIES STANDARD: STANDARD DUTY SADDLE, ROUND HOLES, 5/16" U-BOLT WITH FLANGE NUTS

<u>SIZE</u>	<u>PART NO.</u>	<u>SIZE</u>	<u>PART NO.</u>
1-1/2"	PC150B	2"	PC200B
1-5/8"	PC162B	2-1/8"	PC212B
1-3/4"	PC175B	2-1/4"	PC225B
1-7/8"	PC187B	2-1/2"	PC250B

BULK ASSEMBLED - MASTER PACK 50, 100



MUFFLER CLAMPS

INSTALLER SERIES PLUS: STANDARD DUTY SADDLE, ROUND HOLES, 5/16" U-BOLT *** EXTRA THICK NUTS*** FITS 9/16" SOCKET

<u>SIZE</u>	<u>PART NO.</u>	<u>SIZE</u>	<u>PART NO.</u>
1-1/2"	PC150BBN	2"	PC200BBN
1-5/8"	PC162BBN	2-1/8"	PC212BBN
1-3/4"	PC175BBN	2-1/4"	PC225BBN
1-7/8"	PC187BBN	2-1/2"	PC250BBN

BULK ASSEMBLED - MASTER PACK 100



INSTALLER SERIES STANDARD: STANDARD DUTY SADDLE, ROUND HOLES, 5/16" U-BOLT WITH FLANGE NUTS, ZINC PLATED

<u>SIZE</u>	<u>PART NO.</u>	<u>SIZE</u>	<u>PART NO.</u>
1-1/2"	PC150BP	2"	PC200BP
1-3/4"	PC175BP	2-1/4"	PC225BP
1-7/8"	PC187BP	2-1/2"	PC250BP

BULK ASSEMBLED - MASTER PACK 100



INSTALLER SERIES STANDARD: STANDARD DUTY SADDLE, ROUND HOLES, 5/16" U-BOLT WITH FLANGE NUTS, ZINC PLATED

<u>SIZE</u>	<u>PART NO.</u>
1-1/2" PC150P
1-3/4" PC175P
1-7/8" PC187P
2" PC200P
2-1/4" PC225P
2-1/2" PC250P

INDIVIDUALLY POLY BAGGED - MASTER PACK 100

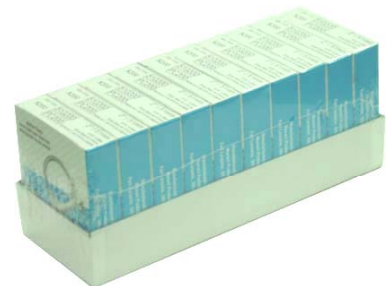


INSTALLER SERIES STANDARD: STANDARD DUTY SADDLE, ROUND HOLES, 5/16" U-BOLT WITH FLANGE NUTS

<u>SIZE</u>	<u>PART NO.</u>	<u>SIZE</u>	<u>PART NO.</u>
1-1/2"	PC150T	2"	PC200T
1-5/8"	PC162T	2-1/8"	PC212T
1-3/4"	PC175T	2-1/4"	PC225T
1-7/8"	PC187T	2-1/2"	PC250T

BAGGED UNASSEMBLED - 10 PER TRAY, 50 TO A CASE

INDIVIDUALLY BOXED - 10 PER TRAY, SKIN PACKED, 50 TO A CASE



MUFFLER CLAMPS

PERMA-HOLD®: HEAVY DUTY SADDLE WITH PATENTED ANGLE HOLES, 3/8" U-BOLT WITH FLANGE NUTS

<u>SIZE</u>	<u>PART NO.</u>
1-3/4"	PH175B
1-7/8"	PH187B
2"	PH200B
2-1/4"	PH225B
2-1/2"	PH250B

BULK ASSEMBLED - MASTER PACK 50



SPC SERIES: STANDARD DUTY SADDLE WITH ROUND HOLES, 5/16" U-BOLT WITH HIGH STYLE FLANGE NUTS, IDEAL FOR IMPACT SOCKETS

<u>SIZE</u>	<u>PART NO.</u>
1-1/2"	SPC150B
1-5/8"	SPC162B
1-3/4"	SPC175B
1-7/8"	SPC187B
2"	SPC200B
2-1/8"	SPC212B
2-1/4"	SPC225B
2-1/2"	SPC250B

BULK ASSEMBLED - MASTER PACK 100



SPC SERIES: STANDARD DUTY SADDLE WITH ROUND HOLES, 5/16" U-BOLT WITH HIGH STYLE FLANGE NUTS, PLATED, IDEAL FOR IMPACT SOCKETS

<u>SIZE</u>	<u>PART NO.</u>
2"	SPC200BP
2-1/4"	SPC225BP
2-1/2"	SPC250BP

BULK ASSEMBLED - MASTER PACK 100



CIRCULAR CLAMPS

<u>SIZE</u>	<u>PART NO.</u>
1-1/2"	TPH103B
1-3/4"	TPH105B
2"	TPH107B
2-1/2"	TPH110B

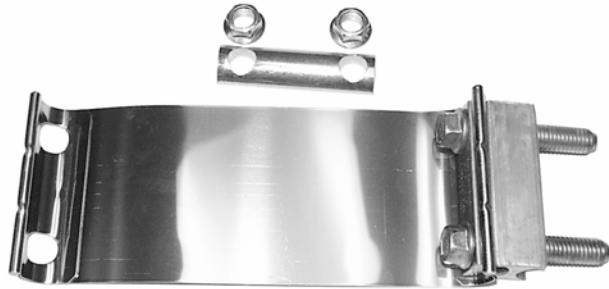
MASTER PACK 10



BAND CLAMPS

EASY SEAL[®] TORCA FLAT BAND CLAMP

SIZE	PART NO.	SIZE	PART NO.
2"	E20ST	3-1/2"	E35ST
2-1/4"	E22ST	4"	E40ST
2-1/2"	E25ST	4-1/2"	E45ST
2-3/4"	E27ST	5"	E50ST
3"	E30ST	6"	E60ST
INDIVIDUAL "SKIN PACK" - MASTER PACK 10			
2"	E20STB	3-1/2"	E35STB
2-1/4"	E22STB	4"	E40STB
2-1/2"	E25STB	4-1/2"	E45STB
2-3/4"	E27STB	5"	E50STB
3"	E30STB	6"	E60STB
INDIVIDUAL "SKIN PACK" - MASTER PACK 40			



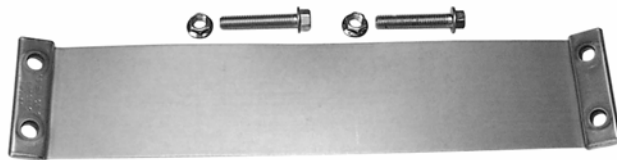
TORCTITE[®] PREFORMED EASY SEAL[®]

SIZE	PART NO.	SIZE	PART NO.
ALUMINIZED			
2"	L20AA	3-1/2"	L35AA
2-1/4"	L22AA	4"	L40AA
2-1/2"	L25AA	4-1/2"	L45AA
2-3/4"	L27AA	5"	L50AA
3"	L30AA	6"	L60AA
INDIVIDUALLY BOXED MASTER PACK 10			
STAINLESS			
2"	L20SA	3-1/2"	L35SA
2-1/4"	L22SA	4"	L40SA
2-1/2"	L25SA	4-1/2"	L45SA
2-3/4"	L27SA	5"	L50SA
3"	L30SA	6"	L60SA
INDIVIDUALLY BOXED MASTER PACK 10			



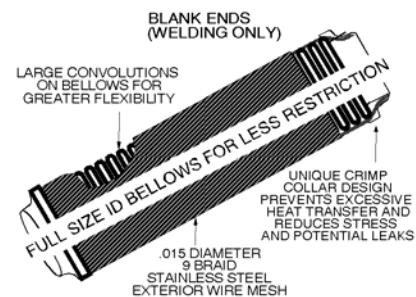
DONALDSON[®] SEAL CLAMP

SIZE	PART NO.	SIZE	PART NO.
ALUMINIZED			
3-1/2"	X006204	5"	X006202
4"	X006203		
INDIVIDUALLY BOXED MASTER PACK 10			
STAINLESS			
2"	X004536	3-1/2"	X004480
2-1/4"	X004537	4"	X004482
2-1/2"	X004476	4-1/2"	X004962
2-3/4"	X004538	5"	X004484
3"	X004478	6"	X004539
3"	X006463		
INDIVIDUALLY BOXED MASTER PACK 10			



BLANK ENDS, DOUBLE PLY, STAINLESS STEEL

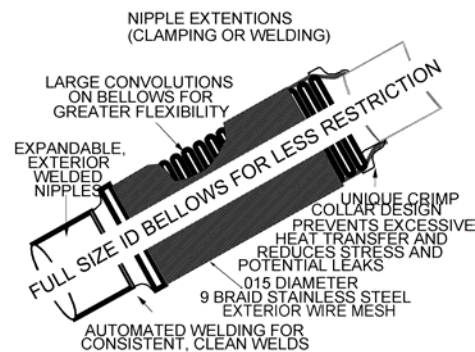
<u>BELLOWS SIZE</u>	<u>PART NO.</u>	<u>OVERALL LENGTH</u>
1-3/4" ID X 4"	FT13404B	4"
1-3/4" ID X 6"	FT13406B	6"
1-3/4" ID X 8"	FT13408B	8"
1-3/4" ID X 10-5/16"	FT13410B	10-5/16"
2" ID X 4"	FT20004B	4"
2" ID X 6"	FT20006B	6"
2" ID X 8"	FT20008B	8"
2" ID X 10-5/16"	FT20010B	10-5/16"
2-1/4" ID X 8"	FT22508B	8"
2-1/4" ID X 10"	FT22510B	10"
2-1/2" ID X 8"	FT25008B	8"
2-1/2" ID X 10"	FT25010B	10"
3" ID X 10"	FT30010B	10"



NIPPLE EXTENSIONS, DOUBLE PLY, STAINLESS STEEL

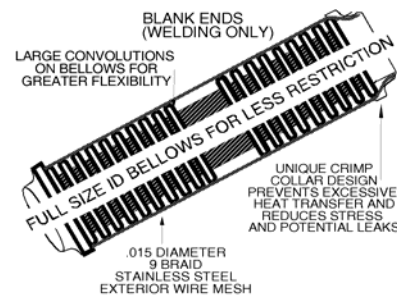
NIPPLE EXTENSIONS, DOUBLE PLY, STAINLESS STEEL

<u>BELLOWS SIZE</u>	<u>PART NO.</u>	<u>OVERALL LENGTH</u>
1-3/4" ID X 4"	FT13404N	8-1/2"
1-3/4" ID X 6"	FT13406N	10-1/2"
1-3/4" ID X 8"	FT13408N	12-1/2"
1-3/4" ID X 10-5/16"	FT13410N	14-3/4"
2" ID X 4"	FT20004N	8-1/2"
2" ID X 6"	FT20006N	10-1/2"
2" ID X 8"	FT20008N	12-1/2"
2" ID X 10-5/16"	FT20010N	14-3/4"
2-1/4" ID X 4"	FT22504N	8-1/2"
2-1/4" ID X 6"	FT22506N	10-1/2"
2-1/4" ID X 8"	FT22508N	12"
2-1/4" ID X 10"	FT22510N	14"
2-1/2" ID X 4"	FT25004N	8-1/2"
2-1/2" ID X 6"	FT25006N	10-1/2"
2-1/2" ID X 8"	FT25008N	12"
2-1/2" ID X 10"	FT25010N	14"
3" ID X 4"	FT30004N	8"
3" ID X 6"	FT30006N	10"
3" ID X 8"	FT30008N	12"



NIPPLE EXTENSIONS, DOUBLE PLY, INNER BRAID STAINLESS STEEL

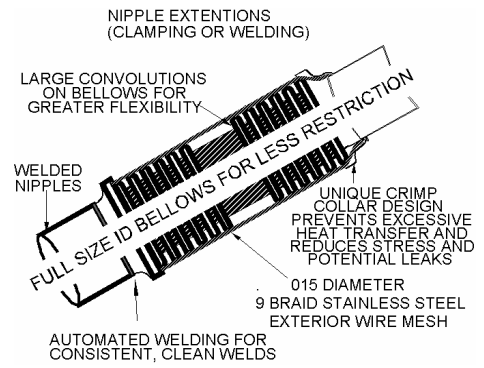
<u>BELLOWS SIZE</u>	<u>PART NO.</u>	<u>OVERALL LENGTH</u>
1-3/4" ID X 8"	FT13408BI	8"
2" ID X 8"	FT20008BI	8"



FLEX TUBES

NIPPLE EXTENSIONS, DOUBLE PLY, INNER BRAID STAINLESS STEEL

<u>BELLOWS SIZE</u>	<u>PART NO.</u>	<u>OVERALL LENGTH</u>
1-3/4" ID X 8"	FT13408NI	12-1/2"
1-3/4" ID X 10-5/16"	FT13410NI	14-3/4"
2" ID X 8"	FT20008NI	12-1/2"
2" ID X 10-5/16"	FT20010NI	14-3/4"



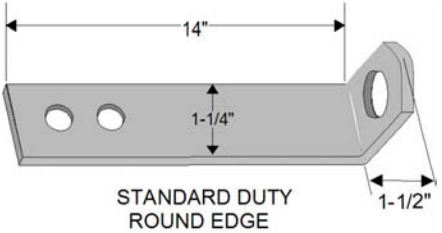
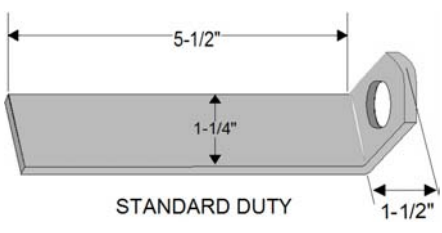
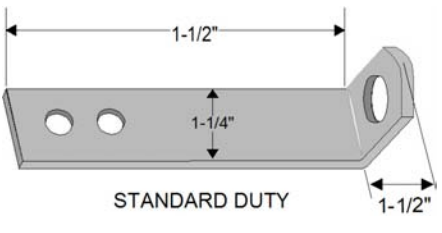
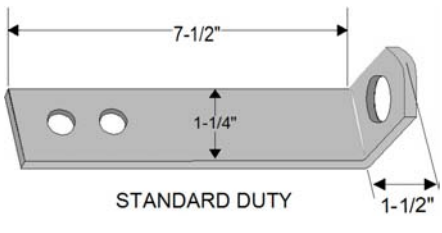
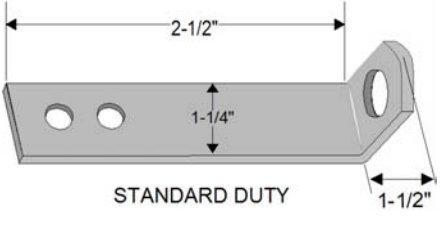
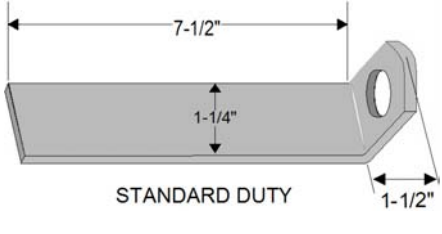
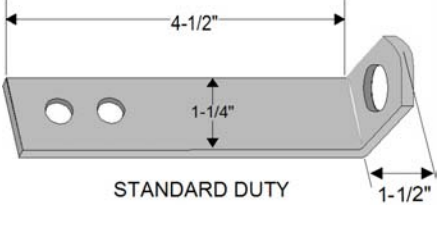
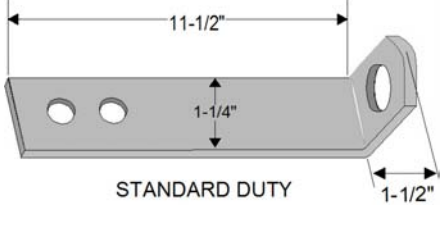
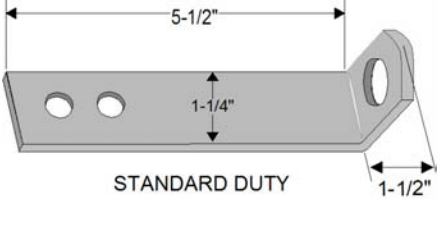
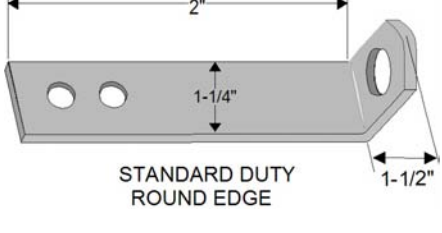
SPHERICAL JOINT SYSTEM

- STAINLESS STEEL
- FITS 1-3/4" & 2" PIPES
- FULLY ASSEMBLED, READY TO INSTALL



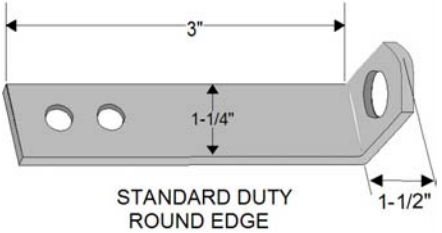
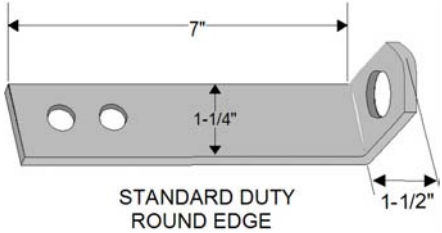
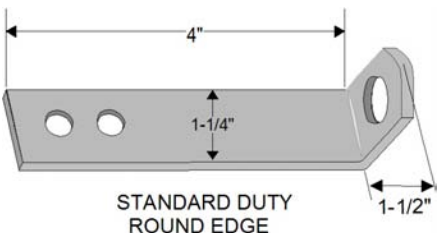
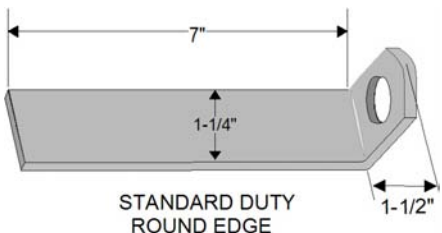
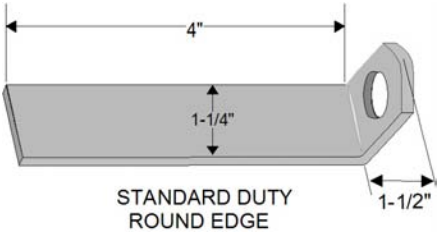
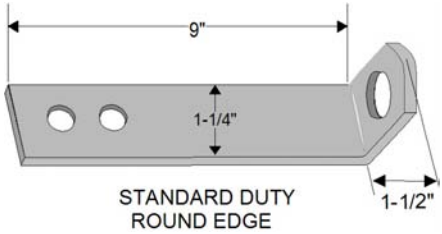
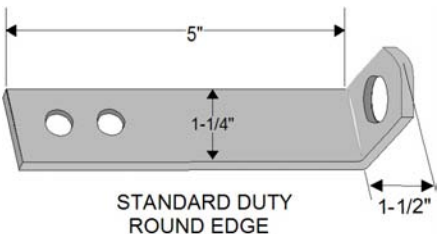
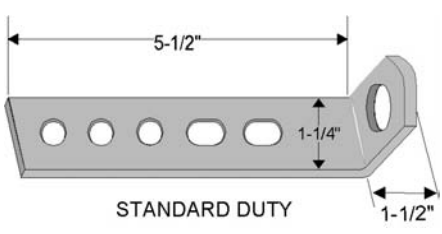
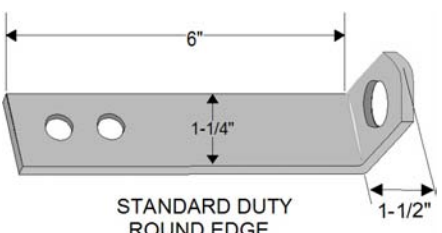
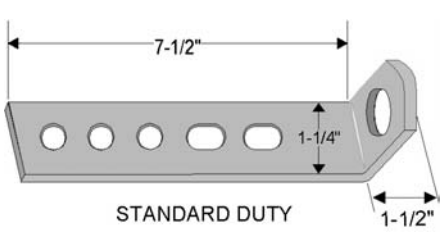
SJS2

UNIVERSAL TYPE CLAMP ASSEMBLY, BRACKETS, GROMMETS, HANGERS, STRAPS, WIRES

<p>14L</p> <p>L STRAP</p> <p>1 2 3 4 5 6</p>  <p>STANDARD DUTY ROUND EDGE</p>	<p>2H1311LNH</p> <p>L STRAP</p> <p>1 2 3 4 5 6</p>  <p>STANDARD DUTY</p>
<p>2H1300L</p> <p>L STRAP</p> <p>1 2 3 H1291 4 5 6 2HL300</p>  <p>STANDARD DUTY</p>	<p>2H1321L</p> <p>L STRAP</p> <p>1 2 339807 3 4 5 6 2HL750</p>  <p>STANDARD DUTY</p>
<p>2H1301L</p> <p>L STRAP</p> <p>1 2 3 4 5 6</p>  <p>STANDARD DUTY</p>	<p>2H1321LNH</p> <p>L STRAP</p> <p>1 2 3 4 5 6 NHL750</p>  <p>STANDARD DUTY</p>
<p>2H1303L</p> <p>L STRAP</p> <p>1 2 3 4 5 6</p>  <p>STANDARD DUTY</p>	<p>2H1331L</p> <p>L STRAP</p> <p>1 2 3 H1331 4 5 6 2HL125</p>  <p>STANDARD DUTY</p>
<p>2H1311L</p> <p>L STRAP</p> <p>1 2 3 4 5 6</p>  <p>STANDARD DUTY</p>	<p>2L</p> <p>L STRAP</p> <p>1 2 3 4 5 6</p>  <p>STANDARD DUTY ROUND EDGE</p>

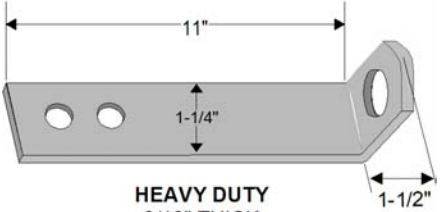
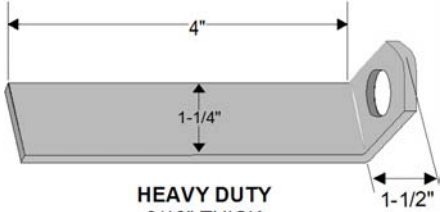
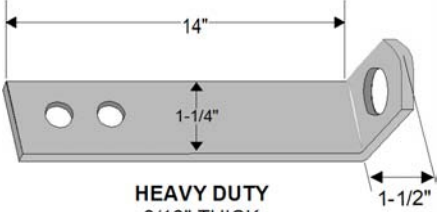
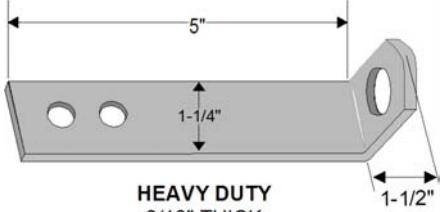
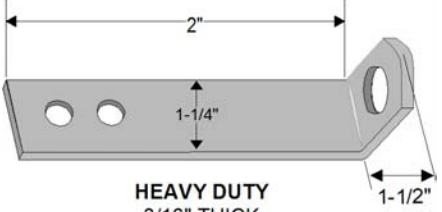
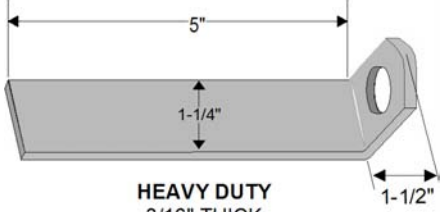
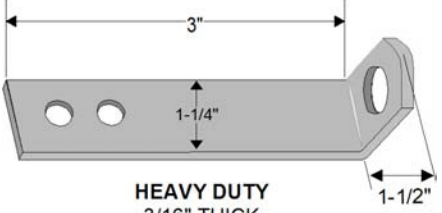
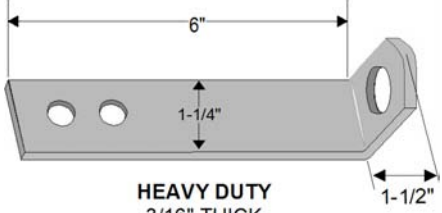
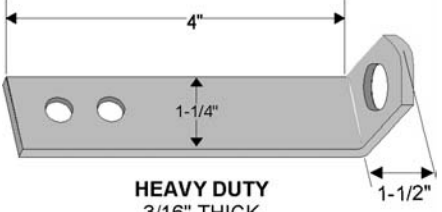
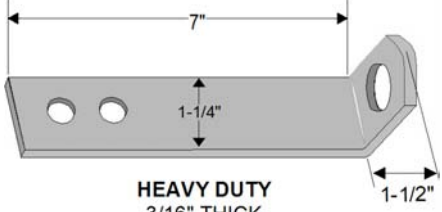
BRACKETS

UNIVERSAL TYPE CLAMP ASSEMBLY, BRACKETS, GROMMETS, HANGERS, STRAPS, WIRES

<p>3L</p> <p>L STRAP</p> <p>1 2 3 4 5 6</p>  <p>STANDARD DUTY ROUND EDGE</p>	<p>7L</p> <p>L STRAP</p> <p>1 2 3 4 5 6</p>  <p>STANDARD DUTY ROUND EDGE</p>
<p>4L</p> <p>L STRAP</p> <p>1 2 3 4 5 6</p>  <p>STANDARD DUTY ROUND EDGE</p>	<p>7LNH</p> <p>L STRAP</p> <p>1 2 3 4 5 6</p>  <p>STANDARD DUTY ROUND EDGE</p>
<p>4LNH</p> <p>L STRAP</p> <p>1 2 3 4 5 6</p>  <p>STANDARD DUTY ROUND EDGE</p>	<p>9L</p> <p>L STRAP</p> <p>1 2 3 4 5 6</p>  <p>STANDARD DUTY ROUND EDGE</p>
<p>5L</p> <p>L STRAP</p> <p>1 2 3 4 5 6</p>  <p>STANDARD DUTY ROUND EDGE</p>	<p>H1311L</p> <p>L STRAP</p> <p>1 2 3 H1313 4 5 35327 6 5HL550</p>  <p>STANDARD DUTY</p>
<p>6L</p> <p>L STRAP</p> <p>1 2 3 4 5 6</p>  <p>STANDARD DUTY ROUND EDGE</p>	<p>H1321L</p> <p>L STRAP</p> <p>1 2 9931 3 H1323 4 5 35327 6 5HL750</p>  <p>STANDARD DUTY</p>

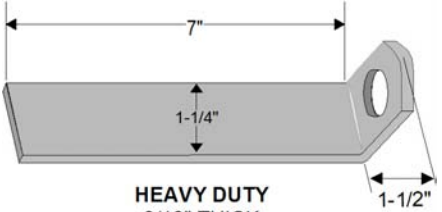
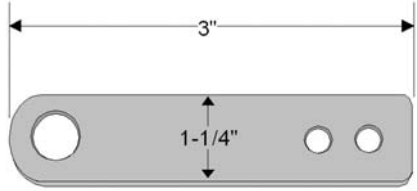
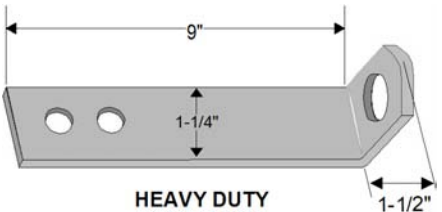
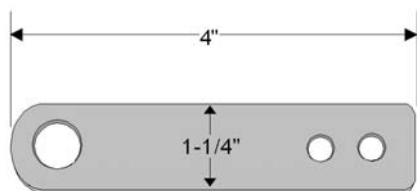
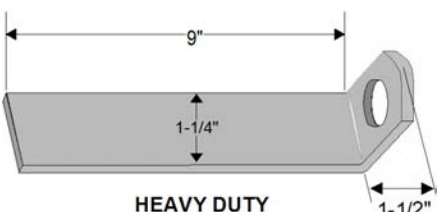
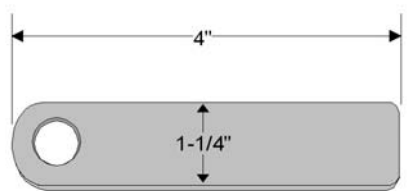
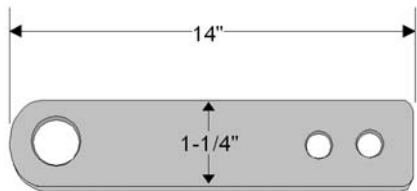
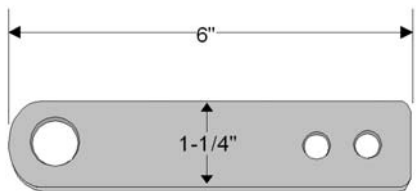
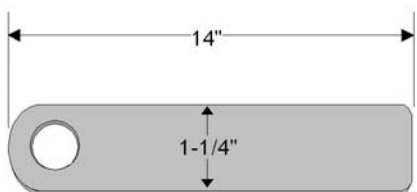
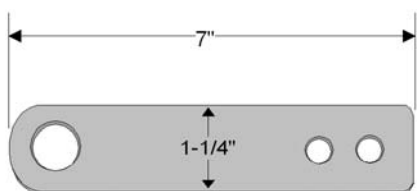
1. ARVIN / MAREMONT - CAN; 2. GOERLICH'S; 3. MAREMONT - USA; 4. IPC / MIDAS; 5. WALKER; 6. ROL

UNIVERSAL TYPE CLAMP ASSEMBLY, BRACKETS, GROMMETS, HANGERS, STRAPS, WIRES

<p>MB11 L STRAP</p> <p>1 2 3 4 5 6</p>  <p>HEAVY DUTY 3/16" THICK ROUND EDGE</p>	<p>MB4NH L STRAP</p> <p>1 2 3 4 5 6</p>  <p>HEAVY DUTY 3/16" THICK ROUND EDGE</p>
<p>MB14 L STRAP</p> <p>1 2 3 4 5 6</p>  <p>HEAVY DUTY 3/16" THICK ROUND EDGE</p>	<p>MB5 L STRAP</p> <p>1 2 3 4 5 6</p>  <p>HEAVY DUTY 3/16" THICK ROUND EDGE</p>
<p>MB2 L STRAP</p> <p>1 2 3 4 5 6</p>  <p>HEAVY DUTY 3/16" THICK ROUND EDGE</p>	<p>MB5NH L STRAP</p> <p>1 2 3 4 5 6</p>  <p>HEAVY DUTY 3/16" THICK ROUND EDGE</p>
<p>MB3 L STRAP</p> <p>1 2 3 4 5 6</p>  <p>HEAVY DUTY 3/16" THICK ROUND EDGE</p>	<p>MB6 L STRAP</p> <p>1 2 3 4 5 6</p>  <p>HEAVY DUTY 3/16" THICK ROUND EDGE</p>
<p>MB4 L STRAP</p> <p>1 2 3 4 5 6</p>  <p>HEAVY DUTY 3/16" THICK ROUND EDGE</p>	<p>MB7 L STRAP</p> <p>1 2 3 4 5 6</p>  <p>HEAVY DUTY 3/16" THICK ROUND EDGE</p>

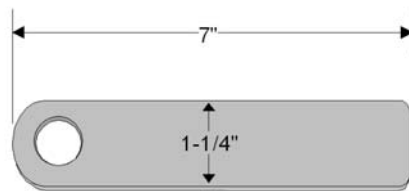
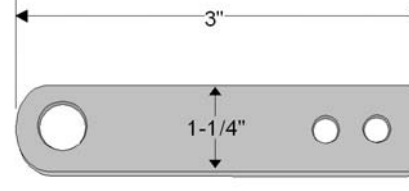
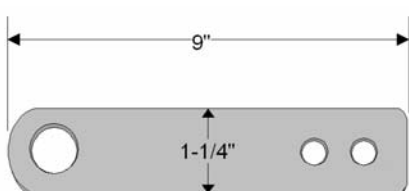
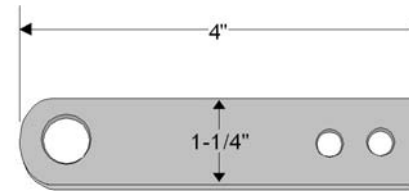
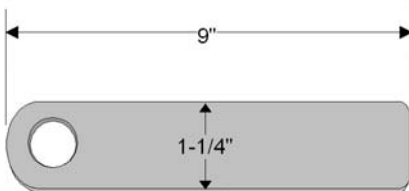
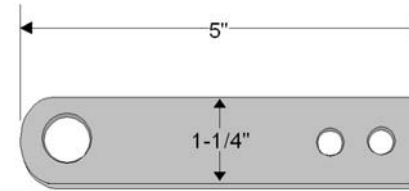
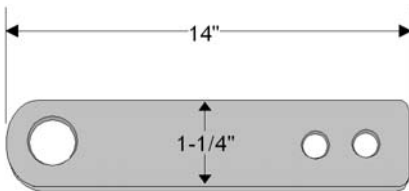
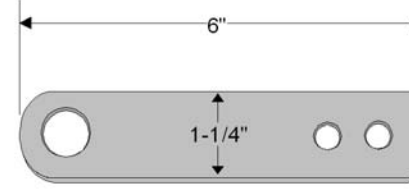
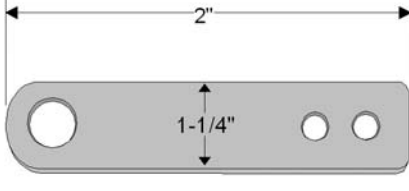
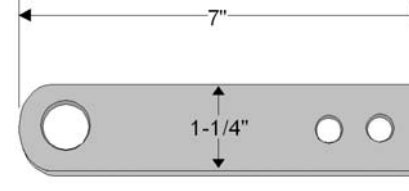
BRACKETS

UNIVERSAL TYPE CLAMP ASSEMBLY, BRACKETS, GROMMETS, HANGERS, STRAPS, WIRES

<p>MB7NH</p> <p>L STRAP</p> <p>1 2 3 4 5 6</p>  <p>HEAVY DUTY 3/16" THICK ROUND EDGE</p>	<p>2H1300</p> <p>STRAIGHT STRAP</p> <p>1 2 9923 3 H1300 4 F1635 5 35308 6 2HS300</p>  <p>STANDARD DUTY</p>
<p>MB9</p> <p>L STRAP</p> <p>1 2 3 4 5 6</p>  <p>HEAVY DUTY 3/16" THICK ROUND EDGE</p>	<p>2H1301</p> <p>STRAIGHT STRAP</p> <p>1 2 3 4 5 6</p>  <p>STANDARD DUTY</p>
<p>MB9NH</p> <p>L STRAP</p> <p>1 2 3 4 5 6</p>  <p>HEAVY DUTY 3/16" THICK ROUND EDGE</p>	<p>2H1301NH</p> <p>STRAIGHT STRAP</p> <p>1 2 3 4 5 6</p>  <p>STANDARD DUTY</p>
<p>14S</p> <p>STRAIGHT STRAP</p> <p>1 2 3 4 5 6</p>  <p>STANDARD DUTY ROUND EDGE</p>	<p>2H1303</p> <p>STRAIGHT STRAP</p> <p>1 2 3 4 5 6</p>  <p>STANDARD DUTY</p>
<p>14SNH</p> <p>STRAIGHT STRAP</p> <p>1 2 3 4 5 6</p>  <p>STANDARD DUTY ROUND EDGE</p>	<p>2H1311</p> <p>STRAIGHT STRAP</p> <p>1 2 339895 3 H1303 4 5 6 2HS700</p>  <p>STANDARD DUTY</p>

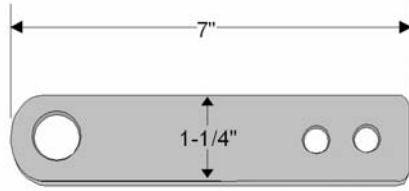
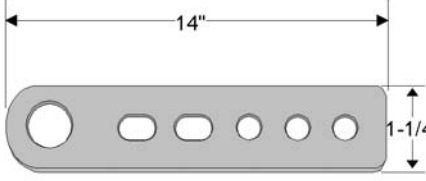
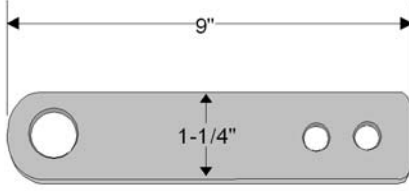
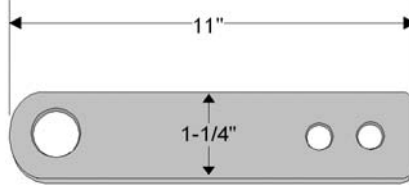
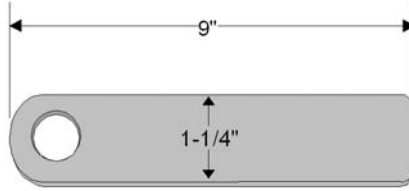
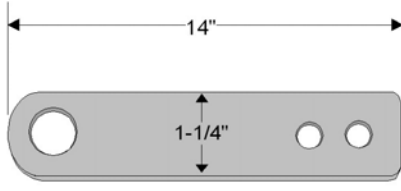
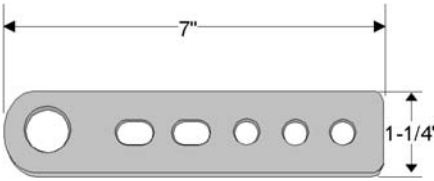
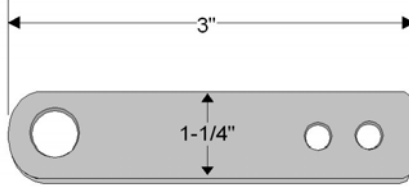
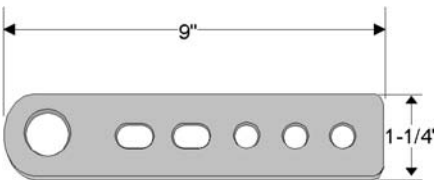
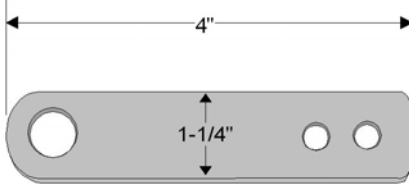
1. ARVIN / MAREMONT - CAN; 2. GOERLICH'S; 3. MAREMONT - USA; 4. IPC / MIDAS; 5. WALKER; 6. ROL

UNIVERSAL TYPE CLAMP ASSEMBLY, BRACKETS, GROMMETS, HANGERS, STRAPS, WIRES

<p>2H1311NH STRAIGHT STRAP 3S</p> <p>1 2 3 4 5 6</p>  <p>STANDARD DUTY</p>	<p>STRAIGHT STRAP</p> <p>1 2 3 4 5 6</p>  <p>STANDARD DUTY ROUND EDGE</p>
<p>2H1321 STRAIGHT STRAP 4S</p> <p>1 2 9926 3 H1294 4 F1638 5 6 2HS900</p>  <p>STANDARD DUTY</p>	<p>STRAIGHT STRAP</p> <p>1 2 3 4 5 6</p>  <p>STANDARD DUTY ROUND EDGE</p>
<p>2H1321NH STRAIGHT STRAP 5S</p> <p>1 2 3 4 5 6 NHS900</p>  <p>STANDARD DUTY</p>	<p>STRAIGHT STRAP</p> <p>1 2 3 4 5 6</p>  <p>STANDARD DUTY ROUND EDGE</p>
<p>2H1331 STRAIGHT STRAP 6S</p> <p>1 2 3 4 F1639 5 6 2HS140</p>  <p>STANDARD DUTY</p>	<p>STRAIGHT STRAP</p> <p>1 2 3 4 5 6</p>  <p>STANDARD DUTY ROUND EDGE</p>
<p>2S STRAIGHT STRAP 7S</p> <p>1 2 3 4 5 6</p>  <p>STANDARD DUTY ROUND EDGE</p>	<p>STRAIGHT STRAP</p> <p>1 2 3 4 5 6</p>  <p>STANDARD DUTY ROUND EDGE</p>

BRACKETS

UNIVERSAL TYPE CLAMP ASSEMBLY, BRACKETS, GROMMETS, HANGERS, STRAPS, WIRES

<p>7SNH STRAIGHT STRAP</p> <p>1 2 3 4 5 6</p>  <p>STANDARD DUTY ROUND EDGE</p>	<p>H1331 STRAIGHT STRAP</p> <p>1 2 9927 3 H1331 4 F1639 5 35309 6 5HS140</p>  <p>STANDARD DUTY</p>
<p>9S STRAIGHT STRAP</p> <p>1 2 3 4 5 6</p>  <p>STANDARD DUTY ROUND EDGE</p>	<p>MS11 STRAIGHT STRAP</p> <p>1 2 3 4 5 6</p>  <p>HEAVY DUTY 3/16" THICK ROUND EDGE</p>
<p>9SNH STRAIGHT STRAP</p> <p>1 2 3 4 5 6</p>  <p>STANDARD DUTY ROUND EDGE</p>	<p>MS14 STRAIGHT STRAP</p> <p>1 2 3 4 5 6</p>  <p>HEAVY DUTY 3/16" THICK ROUND EDGE</p>
<p>H1311 STRAIGHT STRAP</p> <p>1 2 339894 3 H1312 4 5 35397 6 5HS700</p>  <p>STANDARD DUTY</p>	<p>MS3 STRAIGHT STRAP</p> <p>1 2 3 4 5 6</p>  <p>HEAVY DUTY 3/16" THICK ROUND EDGE</p>
<p>H1321 STRAIGHT STRAP</p> <p>1 2 9926 3 H1322 4 F1638 5 35396 6 5HS900</p>  <p>STANDARD DUTY</p>	<p>MS4 STRAIGHT STRAP</p> <p>1 2 3 4 5 6</p>  <p>HEAVY DUTY 3/16" THICK ROUND EDGE</p>











1. ARVIN / MAREMONT - CAN; 2. GOERLICH'S; 3. MAREMONT - USA; 4. IPC / MIDAS; 5. WALKER; 6. ROL

UNIVERSAL TYPE CLAMP ASSEMBLY, BRACKETS, GROMMETS, HANGERS, STRAPS, WIRES

MS4NH	STRAIGHT STRAP	MS9	STRAIGHT STRAP
1 2 3 4 5 6		1 2 3 4 5 6	
	<p>HEAVY DUTY 3/16" THICK ROUND EDGE</p>		<p>HEAVY DUTY 3/16" THICK ROUND EDGE</p>
MS5	STRAIGHT STRAP	MS9NH	STRAIGHT STRAP
1 2 3 4 5 6		1 2 3 4 5 6	
	<p>HEAVY DUTY 3/16" THICK ROUND EDGE</p>		<p>HEAVY DUTY 3/16" THICK ROUND EDGE</p>
MS6	STRAIGHT STRAP	CP100	BRACKET
1 2 3 4 5 6		1 2 3 4 5 6	
	<p>HEAVY DUTY 3/16" THICK ROUND EDGE</p>	DD7467	
MS7	STRAIGHT STRAP	EPB1001	BRACKET
1 2 3 4 5 6		1 2 3 4 5 6	
	<p>HEAVY DUTY 3/16" THICK ROUND EDGE</p>		
MS7NH	STRAIGHT STRAP	EPB1021	BRACKET
1 2 3 4 5 6		1 2 3 4 5 6	
	<p>HEAVY DUTY 3/16" THICK ROUND EDGE</p>		

BRACKETS

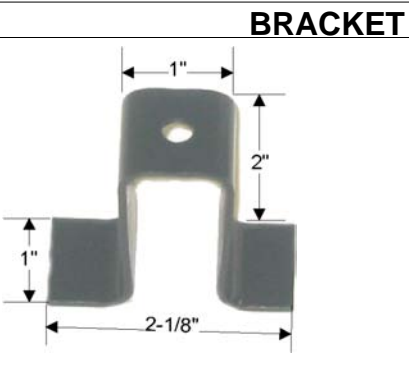
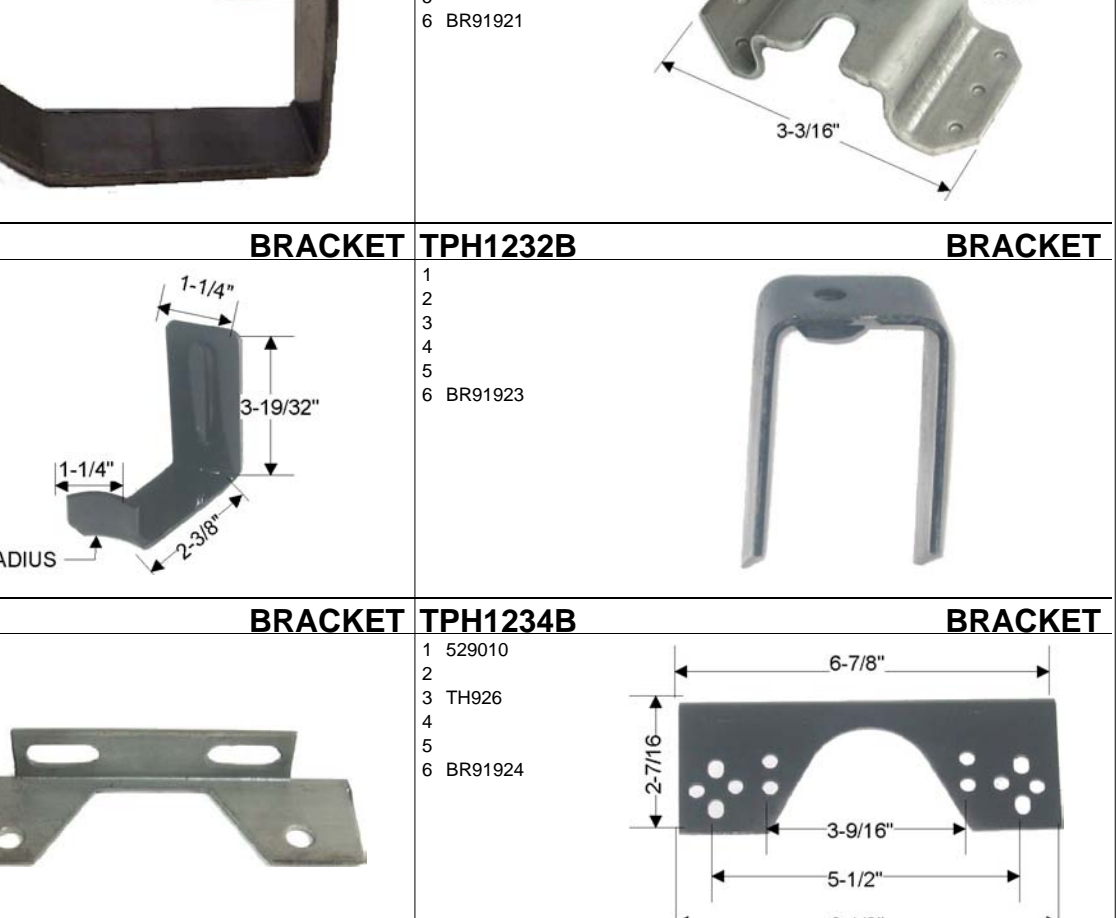
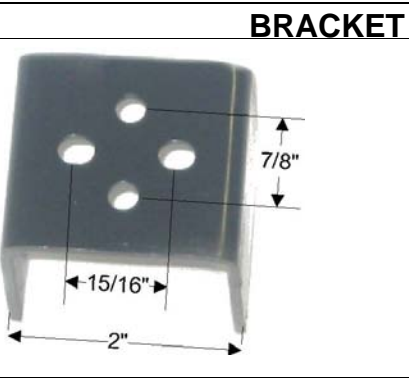
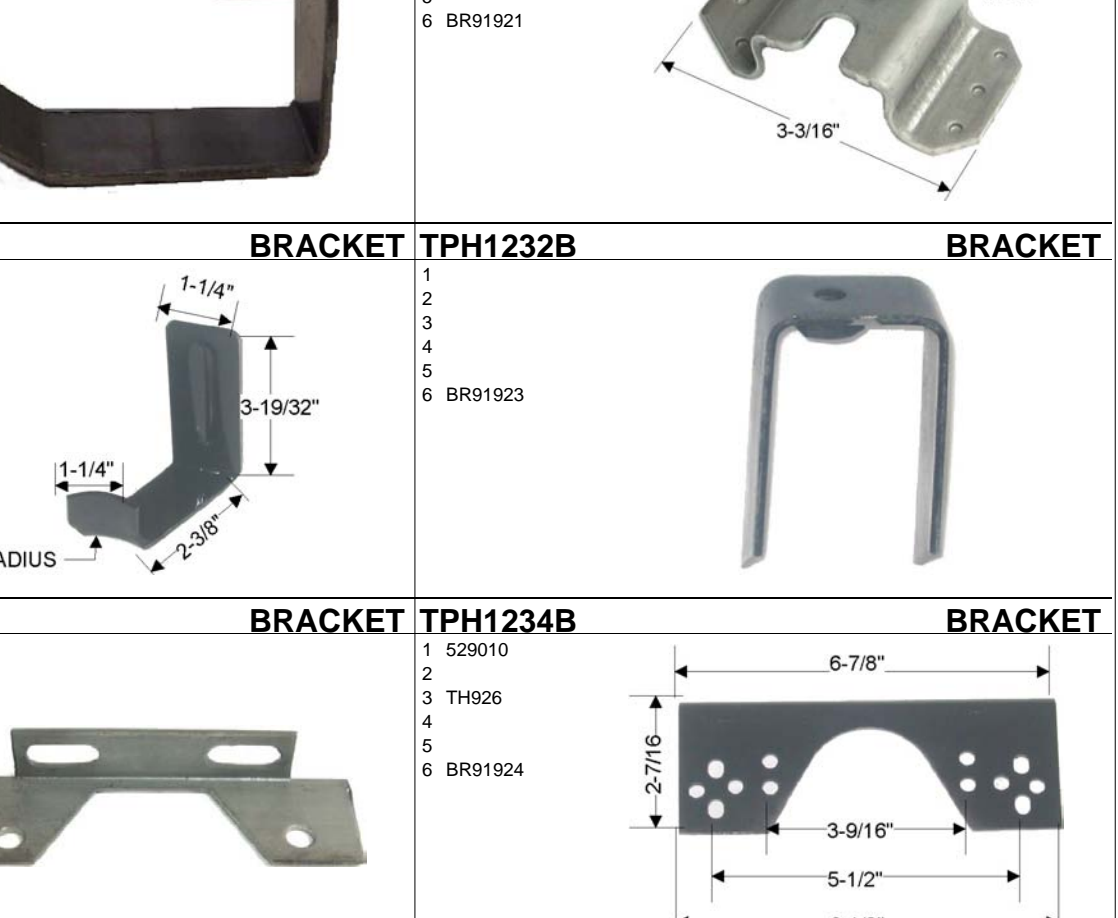
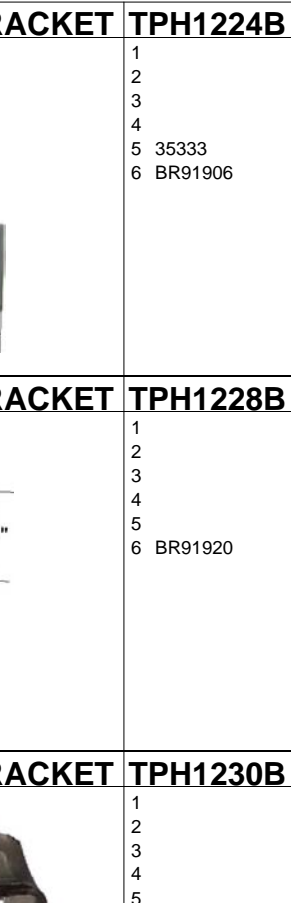


UNIVERSAL TYPE CLAMP ASSEMBLY, BRACKETS, GROMMETS, HANGERS, STRAPS, WIRES

<p>EPB1145</p> <p>BRACKET</p> <p>1 2 3 4 5 6</p> 	<p>EPB5338</p> <p>BRACKET</p> <p>1 2 3 4 5 6</p> 
<p>EPB5019</p> <p>BRACKET</p> <p>1 2 3 4 5 6</p> 	<p>EPB5339</p> <p>BRACKET</p> <p>1 2 3 H1816 4 F2294 5 6 BR91919</p> 
<p>EPB5031</p> <p>BRACKET</p> <p>1 2 3 4 5 6</p> 	<p>EPB5641</p> <p>BRACKET</p> <p>1 2 3 4 5 6</p> 
<p>EPB5104</p> <p>BRACKET</p> <p>1 2 3 H1818 4 5 6 BR91910</p> <p>8mm x 1.25P X 1" FLAT HEADED STUC</p> 	<p>FEH668</p> <p>BRACKET</p> <p>1 528709 2 9935 3 H1170 4 F2303 5 35021 6 BR668</p>  <p>USED WITH FEH667</p>
<p>EPB5314</p> <p>BRACKET</p> <p>1 2 3 4 5 6</p> 	<p>TPH102B</p> <p>BRACKET</p> <p>1 575230 2 339984 3 H1074 4 F2008 5 35024 6 BR755</p> 

1. ARVIN / MAREMONT - CAN; 2. GOERLICH'S; 3. MAREMONT - USA; 4. IPC / MIDAS; 5. WALKER; 6. ROL

BRACKETS

UNIVERSAL TYPE CLAMP ASSEMBLY, BRACKETS, GROMMETS, HANGERS, STRAPS, WIRES

<p>TPH1210B</p> <p>1 2 3 H1808 4 5 6 BR91908</p> 	<p>TPH1224B</p> <p>1 2 3 4 5 35333 6 BR91906</p> 
<p>TPH1212B</p> <p>1 2 3 4 5 6 BR92248</p> 	<p>TPH1228B</p> <p>1 2 3 4 5 6 BR91920</p> 
<p>TPH121B</p> <p>1 2 3 4 5 6</p> 	<p>TPH1230B</p> <p>1 2 3 4 5 6 BR91921</p> 
<p>TPH1220B</p> <p>1 2 3 4 5 6 BR772</p> 	<p>TPH1232B</p> <p>1 2 3 4 5 6 BR91923</p> 
<p>TPH1222B</p> <p>1 2 3 4 5 6 BR775</p> 	<p>TPH1234B</p> <p>1 529010 2 3 TH926 4 5 6 BR91924</p> 


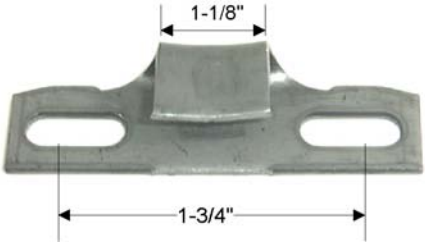


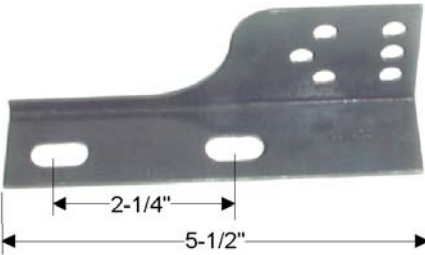
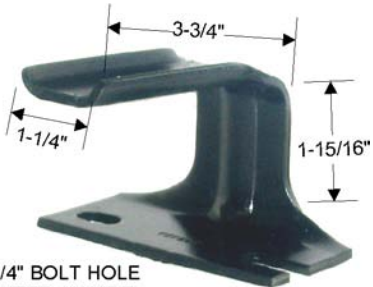


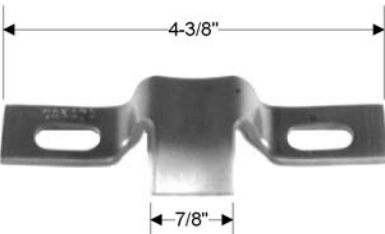

BRACKETS

UNIVERSAL TYPE CLAMP ASSEMBLY, BRACKETS, GROMMETS, HANGERS, STRAPS, WIRES

<p>TPH1246B BRACKET</p> <p>1 2 3 4 5 6 BR91922</p> <p>USE WITH 8mm x 1.25 TACK WELDED NUT</p>	<p>TPH163B BRACKET</p> <p>1 2 3 4 5 6 BR325</p>
<p>TPH1332B BRACKET</p> <p>1 2 3 4 5 6 BR92256</p> <p>13/32" HOLES</p>	<p>TPH171B BRACKET</p> <p>1 524512 2 339988 3 H1158 4 65003 5 35048 6 BR018</p>
<p>TPH145B BRACKET</p> <p>1 2 8249 3 H1154 4 5 6 BR769</p> <p>1" RADIUS 9/32" HOLE</p>	<p>TPH174B BRACKET</p> <p>1 2 3 4 5 6 BR455</p>
<p>TPH161B BRACKET</p> <p>1 523935 2 339989 3 H1151 4 5 35019 6 BR388</p>	<p>TPH175B BRACKET</p> <p>1 2 9951 3 4 5 6 BR770</p>
<p>TPH162B BRACKET</p> <p>1 2 3 4 F3901 5 6 BR388L</p>	<p>TPH180MB BRACKET</p> <p>1 2 3 4 F1491(CAN) 5 35947 6 BR095</p>


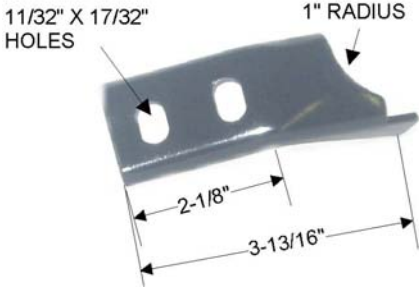
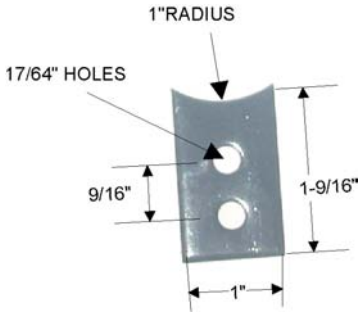

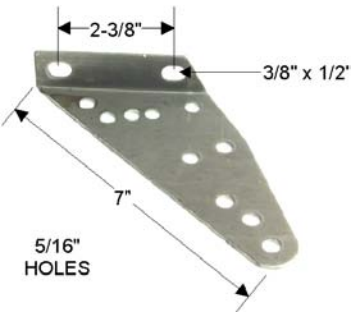


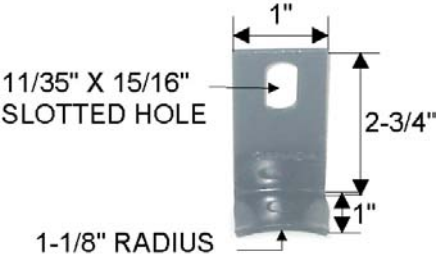


1. ARVIN / MAREMONT - CAN; 2. GOERLICH'S; 3. MAREMONT - USA; 4. IPC / MIDAS; 5. WALKER; 6. ROL

UNIVERSAL TYPE CLAMP ASSEMBLY, BRACKETS, GROMMETS, HANGERS, STRAPS, WIRES

<p>TPH181B BRACKET</p> <p>1 524515 2 3 H1159 4 F2149 5 6 BR99001</p> 	<p>TPH53B BRACKET</p> <p>1 524304 2 8510 3 H1172 4 F2299 5 35674 6 BR112</p> 
<p>TPH189B BRACKET</p> <p>1 2 3 4 5 6 BR691</p>  <p>USE WITH TPH160</p>	<p>TPH53LB BRACKET</p> <p>1 2 3 4 5 6 BR786</p> 
<p>TPH191B BRACKET</p> <p>1 523927 2 339987 3 H1160 4 65004 5 35265 6 BR017</p> <p>1/4" HOLES</p> 	<p>TPH685B BRACKET</p> <p>1 2 3 4 5 6 BR685</p>  <p>2-1/4" BOLT HOLE CENTER 4" WIDE</p>
<p>TPH51B BRACKET</p> <p>1 518501 2 9971 3 H1171 4 F2297 5 35099 6 BR92171</p>  <p>CLOSED SPEED BRACKET</p>	<p>TPH749B BRACKET</p> <p>1 526175 2 8248 3 4 F2148 5 6 BR749</p> 
<p>TPH52B BRACKET</p> <p>1 518508 2 3 H1152 4 F2298 5 6 BR92181</p>  <p>OPEN SPEED BRACKET</p>	<p>TPH769B BRACKET</p> <p>1 2 8253 3 4 F1947 5 6 BR773</p> 

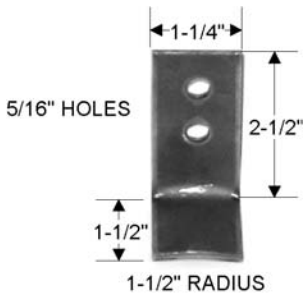

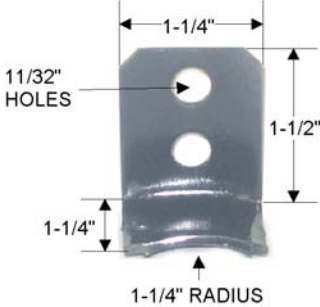

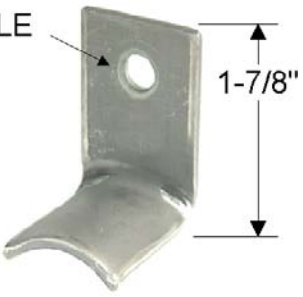



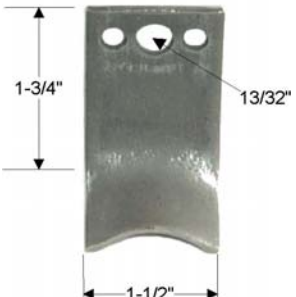

BRACKETS

UNIVERSAL TYPE CLAMP ASSEMBLY, BRACKETS, GROMMETS, HANGERS, STRAPS, WIRES

<p>TPH85B</p> <p>1 2 339990 3 H1043 4 F2010 5 6 BR754</p> 	<p>BRACKET</p> <p>TPH998B</p> <p>1 2 3 4 5 6 BR91907</p> 
<p>TPH869B</p> <p>1 2 3 4 5 6 BR91935</p> 	<p>BRACKET</p> <p>TH969B</p> <p>1 528922 2 3 4 5 BR92245 6</p> 
<p>TPH877B</p> <p>1 529004 2 3 TH877 4 5 35095 6 BR729</p> 	<p>BRACKET</p> <p>TPH211BL</p> <p>1 2 9952 3 4 F1989 5 6 BR92254</p> 
<p>TPH932B</p> <p>1 2 3 4 F2123 5 6 BR91911</p> 	<p>BRACKET</p> <p>TPH235B</p> <p>1 2 3 H1173 4 F1905 5 6 BR670</p> 
<p>TPH95B</p> <p>1 2 339991 3 H1044 4 F2011 5 6 BR754W</p> 	<p>BRACKET</p> <p>TPH71BL</p> <p>1 524301 2 8251/9952 3 H1173 4 5 6 BR771</p> 

1. ARVIN / MAREMONT - CAN; 2. GOERLICH'S; 3. MAREMONT - USA; 4. IPC / MIDAS; 5. WALKER; 6. ROL

UNIVERSAL TYPE CLAMP ASSEMBLY, BRACKETS, GROMMETS, HANGERS, STRAPS, WIRES

<p>TPH74B</p> <p>1 2 3 4 5 6 BR92244</p>  <p>5/16" HOLES</p> <p>1-1/4"</p> <p>2-1/2"</p> <p>1-1/2"</p> <p>1-1/2" RADIUS</p>	<p>GR118</p> <p>1 2 3 4 5 6 BR92318</p>  <p>BLACK SNAPPER GROMMETS</p>
<p>TPH75B</p> <p>1 2 339997 3 4 5 6 BR92255</p>  <p>11/32" HOLES</p> <p>1-1/4"</p> <p>1-1/2"</p> <p>1-1/4"</p> <p>1-1/4" RADIUS</p>	<p>GR119</p> <p>1 2 3 4 5 6 BR92319</p>  <p>BLUE HI-TEMP</p>
<p>TPH77B</p> <p>1 529013 2 3 TH925 4 F1989 5 35098 6 BR784</p>  <p>5/16" HOLE</p> <p>1-7/8"</p>	<p>GR120</p> <p>1 2 3 4 5 6 BR92320</p>  <p>RED SNAPPER GROMMETS</p>
<p>TPH81BL</p> <p>1 523013 2 3 H1156 4 5 6 BR91944</p>  <p>1-3/4"</p> <p>1/4" HOLES</p> <p>2-1/4"</p> <p>1-1/8"</p> <p>1-1/8" RADIUS</p>	<p>GR121</p> <p>1 2 3 4 5 6 BR92321</p>  <p>BLUE HI-TEMP WITH WASHER</p>
<p>TPH980B</p> <p>1 2 3 4 5 6 BR280</p>  <p>1-3/4"</p> <p>13/32"</p> <p>1-1/2"</p>	<p>GR95</p> <p>1 2 F5179 3 H1353 4 F1634 5 35395 6 BR016</p> 

BRACKETS

UNIVERSAL TYPE CLAMP ASSEMBLY, BRACKETS, GROMMETS, HANGERS, STRAPS, WIRES

<p>GR96</p> <p>1 2 F5178 3 H1363 4 F1633 5 35394 6 BR015</p> 	<p>GROMMET</p> <p>TPH258B</p> <p>HANGER</p> <p>1 523906 2 8415 3 TH220 4 F1518 5 6 BR114</p> 
<p>TPH1030B</p> <p>1 2 8389 3 4 5 6 BR021</p> 	<p>HANGER</p> <p>TPH43B</p> <p>HANGER</p> <p>1 2 3 4 5 6</p> 
<p>TPH15B</p> <p>1 518511 2 3 UH28 4 5 36273 6 BR735</p> 	<p>HANGER</p> <p>TPH61B</p> <p>HANGER</p> <p>1 518503 2 8374 3 H1012 4 F2000 5 35946 6 BR105L</p> 
<p>TPH211B</p> <p>1 2 3 H1026 4 5 6 BR92220</p> 	<p>HANGER</p> <p>TPH70B</p> <p>HANGER</p> <p>1 2 3 4 5 6</p> 
<p>TPH221B</p> <p>1 2 3 H1027 4 5 6 BR91927</p> 	<p>HANGER</p> <p>TPH71B</p> <p>HANGER</p> <p>1 571423 2 9933 3 H1033 4 F1282 5 35913 6 BR104</p> <p>FOR 9/16" THICK USE BR104X</p> 

1. ARVIN / MAREMONT - CAN; 2. GOERLICH'S; 3. MAREMONT - USA; 4. IPC / MIDAS; 5. WALKER; 6. ROL

UNIVERSAL TYPE CLAMP ASSEMBLY, BRACKETS, GROMMETS, HANGERS, STRAPS, WIRES

<p>TPH71BXHD HANGER</p> <p>1 2 3 H1014 4 5 6 BR104X</p> <p>1-3/8" 3/8" HOLES 9/16" THICK 5-1/2" 1-1/8" RADIUS 1-7/32"</p> <p>FOR 3/8" THICK USE BR104</p>	<p>FW912 HANGER</p> <p>1 2 3 4 5 6 BR92253</p> <p>1-1/4" 13/32" HOLES 5/16" THICK 10"</p>
<p>TPH72B HANGER</p> <p>1 518600 2 3 H1025 4 5 36274 6 BR104L</p> <p>1-1/8" 5/16" THICK 7"</p>	<p>FW913L HANGER</p> <p>1 2 3 4 5 6 BR92253HD</p> <p>1-1/4" 13/32" HOLES 3/8" THICK 12"</p>
<p>TPH81B HANGER</p> <p>1 518604 2 8425 3 H1042 4 F1432 5 35945 6 BR107U</p> <p>13/32" THICK 8" 1-3/8" RADIUS</p>	<p>TPH21 HANGER</p> <p>1 518001 2 8483 3 UH21 4 5 6 BR91930</p> <p>12 GAUGE 9-1/2" PERMA HOLD® 8 PLY DOUBLE ATTACHEMENT TURNS 360 DEGREES</p>
<p>TPH91B HANGER</p> <p>1 575222 2 9944 3 H1052 4 F1640 5 35398 6 BR107</p> <p>2" 11/32" THICK 8" 1-3/8" RADIUS</p>	<p>TPH21B HANGER</p> <p>1 2 3 4 5 35957 6 BR92073</p> <p>11 GAUGE STRAP TO FIT 3/8" BOLTS 9-1/2" DOUBLE ATTACHEMENT OPEN END SWIVEL ROTATES 360</p>
<p>TPH92B HANGER</p> <p>1 2 3 4 5 6 BR92243</p> <p>2-1/4" 3/8" HOLES 5/8" THICK 8-9/16" 1-1/4" RADIUS</p>	<p>TPH21B-BLANK HANGER</p> <p>1 2 3 4 5 6</p>

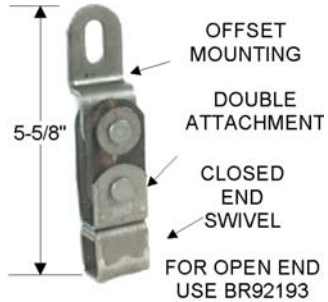
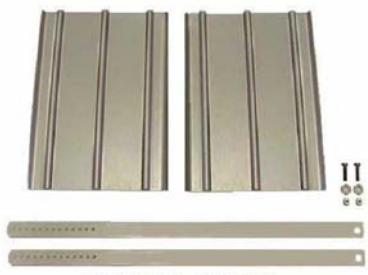
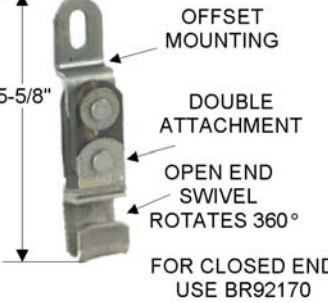
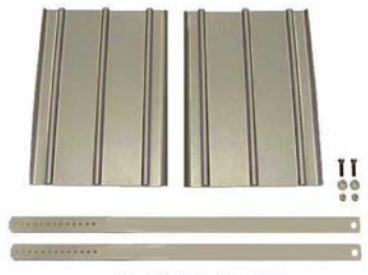


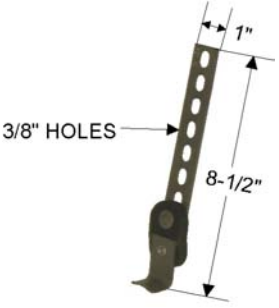
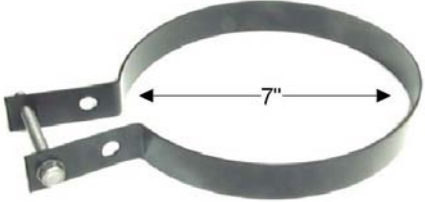
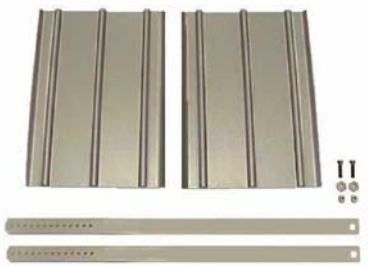
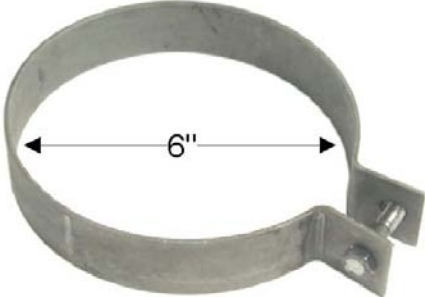
BRACKETS

UNIVERSAL TYPE CLAMP ASSEMBLY, BRACKETS, GROMMETS, HANGERS, STRAPS, WIRES

<p>TPH21BP HANGER</p> <p>1 2 3 4 5 6 BR92073P</p> <p>ZINC PLATED</p> <p>11 GAUGE STRAP TO FIT 3/8" BOLTS</p> <p>DOUBLE ATTACHMENT</p> <p>OPEN END SWIVEL ROTATES 360°</p>	<p>TPH24B-BLANK HANGER</p> <p>1 2 3 4 5 6 BR92226</p> <p>HEAVY DUTY 10 GAUGE STRAP</p> <p>DOUBLE ATTACHMENT</p> <p>CLOSED END SWIVEL ROTATES 360°</p>
<p>TPH21LB HANGER</p> <p>1 2 3 4 5 6 BR92240</p> <p>ZINC PLATED</p> <p>12 GAUGE STRAP TO FIT 3/8" BOLTS</p> <p>OPEN END SWIVEL ROTATES 360°</p>	<p>TPH24BP HANGER</p> <p>1 2 3 4 5 6 BR92172P</p> <p>ZINC PLATED</p> <p>HEAVY DUTY 10 GAUGE STRAP FOR 3/8" BOLT</p> <p>DOUBLE ATTACHMENT</p> <p>CLOSED END SWIVEL ROTATES 360°</p> <p>ALSO SEE BR92073</p>
<p>TPH21MB HANGER</p> <p>1 2 3 4 5 6 BR92242</p> <p>12 GAUGE STRAP TO FIT 3/8" BOLTS</p> <p>OPEN END SWIVEL ROTATES 360°</p>	<p>TPH24LB HANGER</p> <p>1 2 3 4 5 6 BR92239</p> <p>10 GAUGE STRAP TO FIT 3/8" BOLTS</p> <p>CLOSED END SWIVEL ROTATES 360°</p>
<p>TPH22B HANGER</p> <p>1 518507 2 8236 3 UH22 4 F1984 5 35027 6 BR689</p> <p>FOR CLOSED END USE BR92247</p> <p>OPEN SWIVEL</p>	<p>TPH24MB HANGER</p> <p>1 2 3 4 5 6 BR92241</p> <p>10 GAUGE STRAP TO FIT 3/8" BOLTS</p> <p>CLOSED END SWIVEL ROTATES 360°</p>
<p>TPH24B HANGER</p> <p>1 518509 2 8049 3 UH24 4 5 6 BR92172</p> <p>HEAVY DUTY 10 GAUGE STRAP FOR 3/8" BOLT</p> <p>DOUBLE ATTACHMENT</p> <p>CLOSED END SWIVEL ROTATES 360°</p> <p>ALSO SEE BR92073</p>	<p>TPH25B HANGER</p> <p>1 2 3 4 5 6 BR92247</p> <p>DOUBLE ATTACHMENT</p> <p>CLOSED END</p> <p>FOR OPEN SWIVEL USE BR689</p>



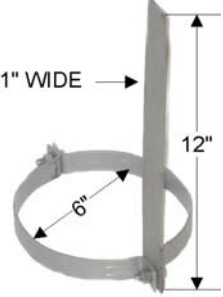
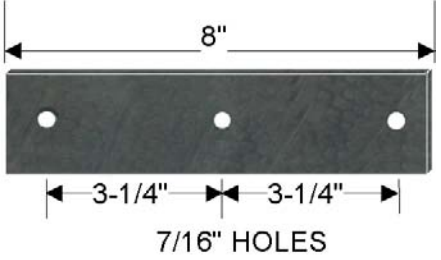
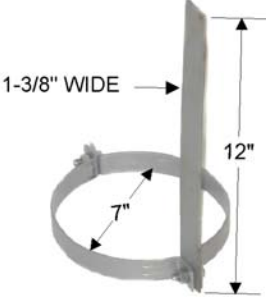




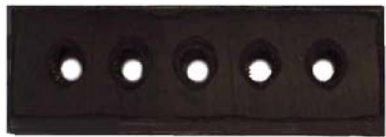
1. ARVIN / MAREMONT - CAN; 2. GOERLICH'S; 3. MAREMONT - USA; 4. IPC / MIDAS; 5. WALKER; 6. ROL

UNIVERSAL TYPE CLAMP ASSEMBLY, BRACKETS, GROMMETS, HANGERS, STRAPS, WIRES

<p>TPH35B</p> <p>1 518514 2 339994 3 UH31 4 5 6 BR92170</p>  <p>5-5/8"</p> <p>OFFSET MOUNTING DOUBLE ATTACHMENT CLOSED END SWIVEL</p> <p>FOR OPEN END USE BR92193</p>	<p>HANGER MG8</p> <p>1 2 3 4 5 6</p>  <p>11 11</p> <p>13-1/4" X 10-3/4"</p>
<p>TPH36B</p> <p>1 518515 2 3 UH32 4 5 6 BR92193</p>  <p>5-5/8"</p> <p>OFFSET MOUNTING DOUBLE ATTACHMENT OPEN END SWIVEL ROTATES 360°</p> <p>FOR CLOSED END USE BR92170</p>	<p>HANGER MG9</p> <p>1 2 3 4 5 6</p>  <p>11 11</p> <p>13-1/4" X 10-3/4"</p>
<p>TPH41</p> <p>1 518500 2 3 UH30 4 F1581 5 36272 6 BR100</p> 	<p>TH1008B</p> <p>1 2 3 4 5 6</p> 
<p>TPH73B</p> <p>1 518000 2 9920 3 TX20 4 F2300 5 6 BR109</p>  <p>3/8" HOLES</p> <p>1"</p> <p>8-1/2"</p>	<p>TPH1216B</p> <p>1 529094 2 8213 3 TH1096 4 5 13874 6 BR460</p>  <p>7"</p>
<p>MG10</p> <p>1 2 3 4 5 6</p>  <p>11 11</p> <p>11-1/2" X 10-1/2"</p>	<p>TPH1300B</p> <p>1 528883 2 8594 3 TH992 4 F2386 5 13800 6 BR91955</p>  <p>6"</p>

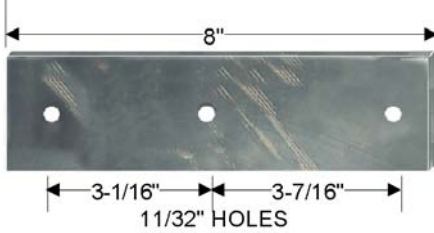
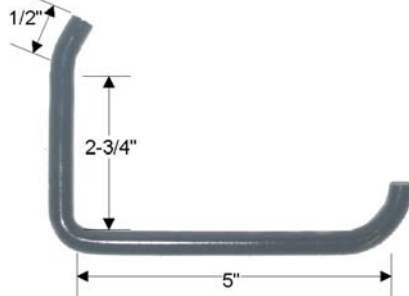

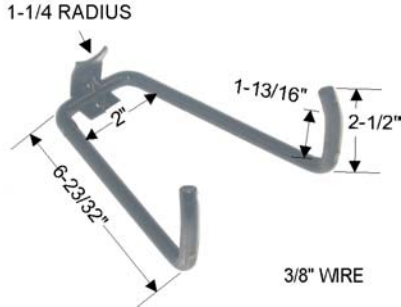

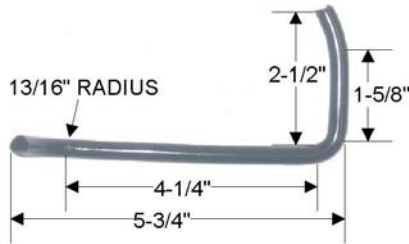
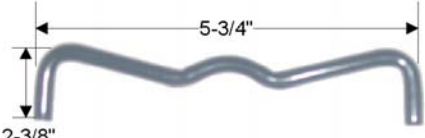
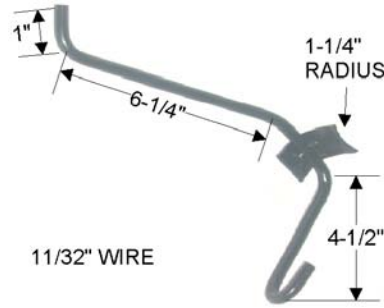
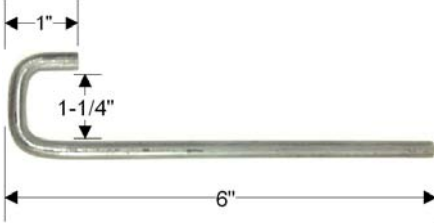
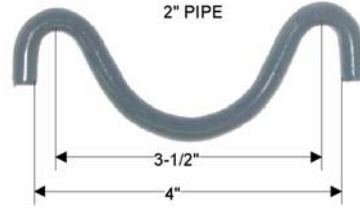
BRACKETS

UNIVERSAL TYPE CLAMP ASSEMBLY, BRACKETS, GROMMETS, HANGERS, STRAPS, WIRES

<p>TPH160B</p> <p>MUFFLER STRAP</p> <p>1 528201 2 8445 3 TH410 4 5 35897/35745 6 BR349</p> 	<p>FEH667</p> <p>RUBBER STRAP</p> <p>1 575237 2 8556 3 H1035 4 5 35020 6 BR667</p> <p>USED WITH FEH668</p> 
<p>TPH237B</p> <p>MUFFLER STRAP</p> <p>1 544009 2 9354 3 TH815 4 F1918 5 35854 6 BR799</p> 	<p>TPH1036B</p> <p>RUBBER STRAP</p> <p>1 528872 2 8201 3 TH972 4 F1931 5 6 BR876</p> 
<p>TPH238B</p> <p>MUFFLER STRAP</p> <p>1 544010 2 9355 3 TH816 4 5 35855 6 BR800</p> 	<p>TPH1242B</p> <p>RUBBER STRAP</p> <p>1 524750 2 8228 3 TH933 4 F2159 5 35551 6 BR790</p> 
<p>TPH239B</p> <p>MUFFLER STRAP</p> <p>1 2 3 4 5 6</p> 	<p>TPH211BR</p> <p>RUBBER STRAP</p> <p>1 2 3 4 5 6 BR92234</p> <p>5/8" THICK</p> <p>4-7/8"</p> <p>ALSO SEE TPH211B</p> 
<p>TPH361B</p> <p>MUFFLER STRAP</p> <p>1 529005 2 3 TH882 4 5 35564 6 BR823</p> 	<p>TPH221BR</p> <p>RUBBER STRAP</p> <p>1 2 3 4 5 6</p> 

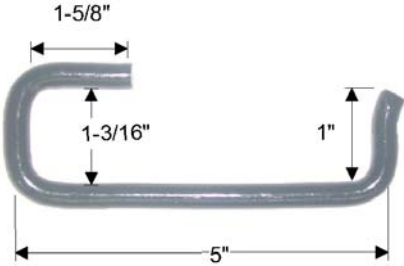
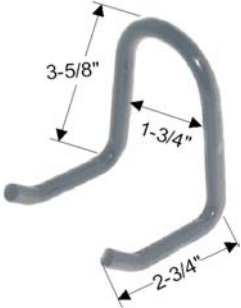
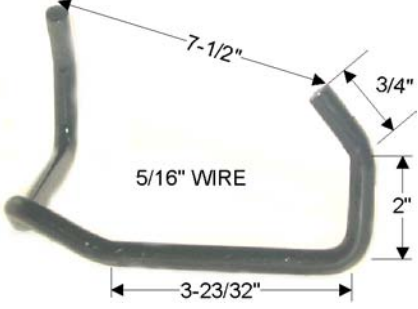
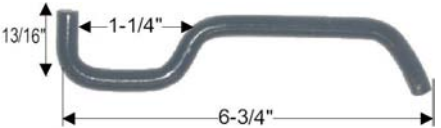
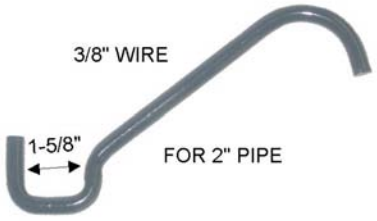
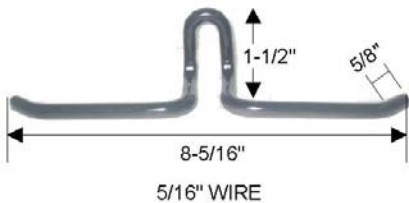

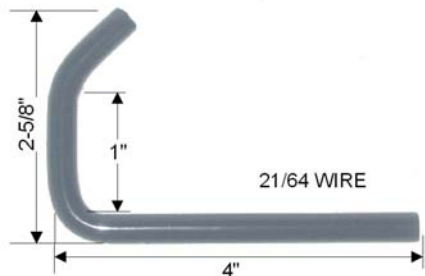
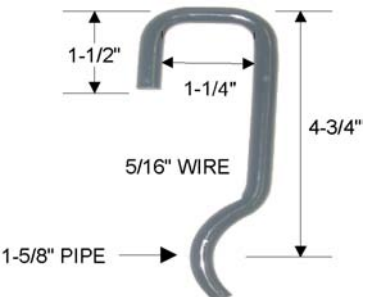
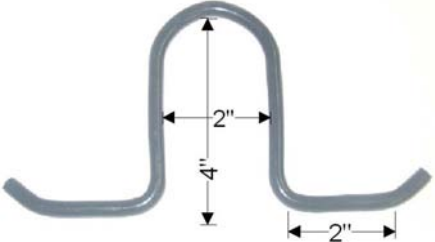
1. ARVIN / MAREMONT - CAN; 2. GOERLICH'S; 3. MAREMONT - USA; 4. IPC / MIDAS; 5. WALKER; 6. ROL

UNIVERSAL TYPE CLAMP ASSEMBLY, BRACKETS, GROMMETS, HANGERS, STRAPS, WIRES

<p>TPH781B RUBBER STRAP</p> <p>1 529017 2 8204 3 TH935 4 F2140 5 35261 6 BR91973</p>  <p>8" 3-1/16" 3-7/16" 11/32" HOLES</p>	<p>FW004 WIRE</p> <p>1 2 3 H1832 4 5 6 BR99004</p>  <p>1/2" 2-3/4" 5"</p>
<p>FW882 WIRE</p> <p>1 2 3 4 F2372 5 6 BR92167</p>  <p>14" 5/16" ROD</p>	<p>FW005 WIRE</p> <p>1 2 3 H1833 4 5 6 BR99005</p>  <p>1-1/4 RADIUS 1-13/16" 2-1/2" 6-23/32" 3/8" WIRE</p>
<p>FW884 WIRE</p> <p>1 2 3 4 5 6 BR92168</p>  <p>14" 3/8" ROD</p>	<p>FW006 WIRE</p> <p>1 2 339998 3 H1834 4 5 6 BR99006</p>  <p>13/16" RADIUS 2-1/2" 1-5/8" 4-1/4" 5-3/4" 5/16" WIRE</p>
<p>FW002 WIRE</p> <p>1 2 3 H1830 4 5 6 BR99002</p>  <p>5-3/4" 2-3/8" 3/8" WIRE</p>	<p>FW007 WIRE</p> <p>1 2 3 H1835 4 5 6 BR99007</p>  <p>1" 6-1/4" 1-1/4" RADIUS 4-1/2" 11/32" WIRE</p>
<p>FW003 WIRE</p> <p>1 2 9970 3 H1831 4 5 35004 6 BR99003</p>  <p>1" 1-1/4" 6" 5/16" WIRE</p>	<p>FW008 WIRE</p> <p>1 2 3 H1836 4 5 6 BR99008</p>  <p>FITS 2" PIPE 3-1/2" 4"</p>

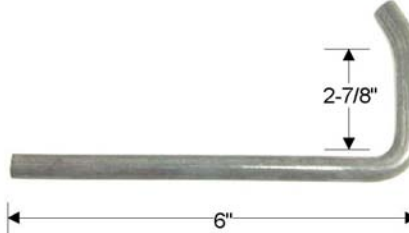
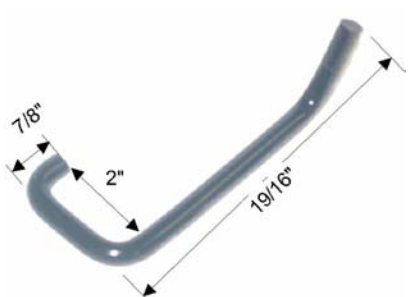
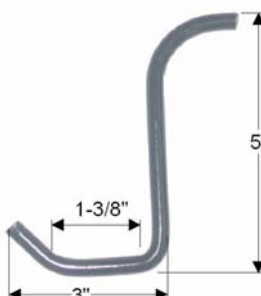

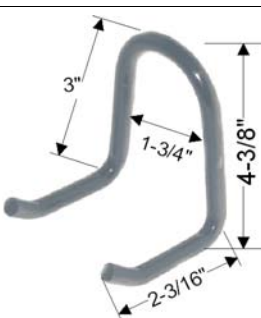
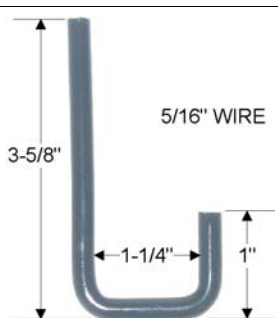
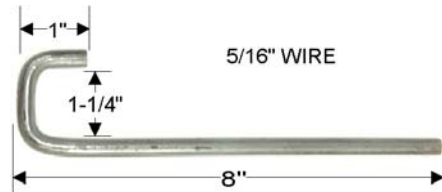

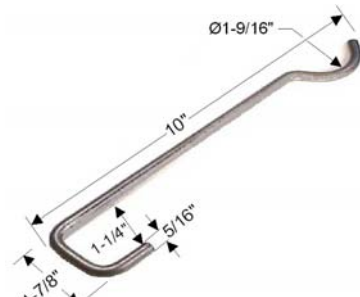

BRACKETS

UNIVERSAL TYPE CLAMP ASSEMBLY, BRACKETS, GROMMETS, HANGERS, STRAPS, WIRES

<p>FW710 WIRE</p> <p>1 2 3 H1837 4 5 6 BR710</p> 	<p>FW805 WIRE</p> <p>1 2 3 4 5 6 BR5055</p> 
<p>FW711 WIRE</p> <p>1 2 3 H1838 4 5 6 BR711</p> 	<p>FW822 WIRE</p> <p>1 2 3 4 5 6 BR5122</p> 
<p>FW733 WIRE</p> <p>1 2 3 H1839 4 5 6 BR733</p> 	<p>FW830 WIRE</p> <p>1 2 3 4 5 6 BR830</p> 
<p>FW734 WIRE</p> <p>1 2 3 H1840 4 5 6 BR734</p> 	<p>FW832 WIRE</p> <p>1 2 3 4 5 6 BR5230</p> 
<p>FW736 WIRE</p> <p>1 2 9939 3 H1841 4 5 35026 6 BR736</p> 	<p>FW836 WIRE</p> <p>1 2 3 4 5 6 BR5036</p> 

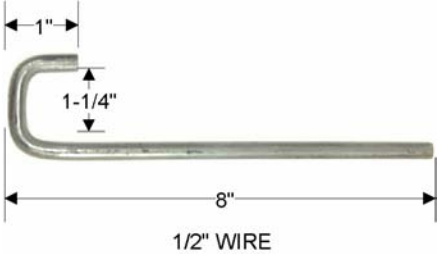

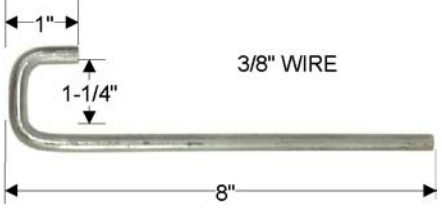
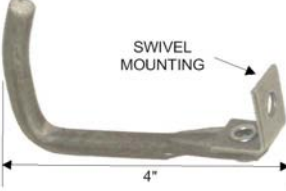
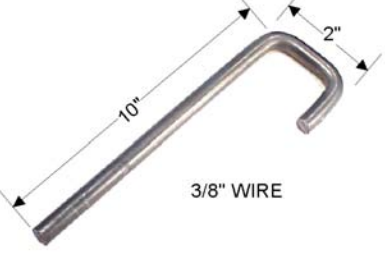


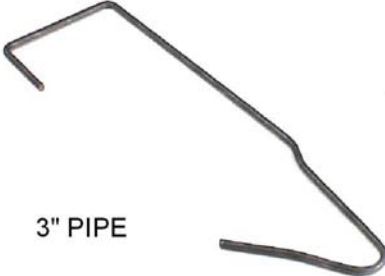

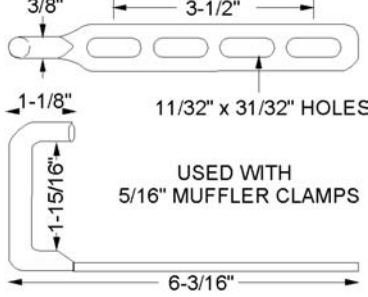
1. ARVIN / MAREMONT - CAN; 2. GOERLICH'S; 3. MAREMONT - USA; 4. IPC / MIDAS; 5. WALKER; 6. ROL

UNIVERSAL TYPE CLAMP ASSEMBLY, BRACKETS, GROMMETS, HANGERS, STRAPS, WIRES

<p>FW848 WIRE</p> <p>1 2 3 4 5 6 BR92224</p> 	<p>FW872 WIRE</p> <p>1 2 3 4 5 6 BR91904</p> 
<p>FW857 WIRE</p> <p>1 2 3 4 5 6 BR5257</p> 	<p>FW876 WIRE</p> <p>1 2 3 4 5 6</p> 
<p>FW860 WIRE</p> <p>1 2 3 4 5 6</p> 	<p>FW878 WIRE</p> <p>1 2 3 4 5 6 BR91916</p> <p>5/16" WIRE</p> 
<p>FW862 WIRE</p> <p>1 2 339896 3 H1885 4 F2150 5 6 BR91914</p> <p>5/16" WIRE</p> 	<p>FW888 WIRE</p> <p>1 2 3 4 5 6</p> 
<p>FW864 WIRE</p> <p>1 2 3 4 5 6</p> 	<p>FW897 WIRE</p> <p>1 2 3 4 5 6 BR92250</p> 

BRACKETS

UNIVERSAL TYPE CLAMP ASSEMBLY, BRACKETS, GROMMETS, HANGERS, STRAPS, WIRES



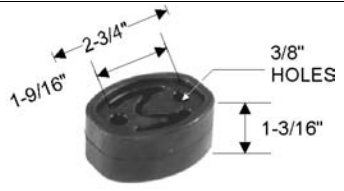

<p>FW910</p> <p>1 2 3 4 5 6 BR92219</p>  <p>1/2" WIRE</p>	<p>TPH151LB</p> <p>1 528974 2 3 TH918 4 5 6 BR92164</p>  <p>3/8" ROD SWIVEL MOUNTING 5-5/16"</p>
<p>FW914</p> <p>1 2 3 4 5 6 BR92218</p>  <p>3/8" WIRE</p>	<p>TPH151SB</p> <p>1 529277 2 3 H1150 4 5 6 BR92165</p>  <p>3/8" ROD SWIVEL MOUNTING 4"</p>
<p>FW915</p> <p>1 2 3 4 5 6</p>  <p>3/8" WIRE</p>	<p>TPH231B</p> <p>1 2 3 4 5 6</p>  <p>UNDER 3" PIPE</p>
<p>FW921</p> <p>1 2 3 4 5 6 BR92216</p>  <p>STAINLESS STEEL 5/16" WIRE</p>	<p>TPH242B</p> <p>1 2 3 4 5 6</p>  <p>3" PIPE</p>
<p>FW922</p> <p>1 2 3 4 5 6 BR92217</p>  <p>STAINLESS STEEL 3/8" WIRE</p>	<p>FW013</p> <p>1 2 8048B10 3 H1880 4 F2013 5 6 BR91931</p>  <p>3/8" 3-1/2" 11/32" x 31/32" HOLES 1-1/8" 1-15/16" 6-3/16" USED WITH 5/16" MUFFLER CLAMPS</p>

1. ARVIN / MAREMONT - CAN; 2. GOERLICH'S; 3. MAREMONT - USA; 4. IPC / MIDAS; 5. WALKER; 6. ROL

BRACKETS

UNIVERSAL TYPE CLAMP ASSEMBLY, BRACKETS, GROMMETS, HANGERS, STRAPS, WIRES

<p>FW014 WIRE</p> <p>1 2 8047B10 3 H1881 4 F2014 5 6 BR91932</p> <p>USED WITH 5/16" MUFFLER CLAMPS</p> <p>11/32" x 31/32" HOLES</p>	<p>FW214 WIRE</p> <p>1 2 3 4 F2308 5 6 BR92034</p> <p>13/32" x 31/32" HOLES USED WITH 3/8" MUFFLER CLAMPS</p>
<p>FW015 WIRE</p> <p>1 2 8045B10 3 H1882 4 F2015 5 6 BR91933</p> <p>USED WITH 5/16" MUFFLER CLAMPS</p> <p>11/32" x 31/32" HOLES</p>	<p>FW899 WIRE</p> <p>1 2 3 4 F2306 5 6 BR92032</p> <p>USED WITH 3/8" MUFFLER CLAMPS</p> <p>13/32" x 31/32" HOLES</p>
<p>FW016 WIRE</p> <p>1 2 8046B10 3 H1883 4 F2016 5 6 BR91934</p> <p>USED WITH 5/16" MUFFLER CLAMPS</p> <p>11/32" x 31/32" HOLES</p>	<p>FW923 WIRE</p> <p>1 2 3 4 5 6 BR92258</p> <p>USED WITH 3/8" MUFFLER CLAMPS</p> <p>13/32" x 31/32" HOLES</p>
<p>FW210 WIRE</p> <p>1 2 3 4 F2305 5 6 BR92031</p> <p>USED WITH 3/8" MUFFLER CLAMPS</p> <p>13/32" x 31/32" HOLES</p>	<p>TPH444B WIRE</p> <p>1 528949 2 8194 3 TH951 4 F1986 5 6 BR441</p> <p>USED WITH 5/16" MUFFLER CLAMP</p> <p>5/16" x 15/16" HOLES</p>
<p>FW212 WIRE</p> <p>1 2 3 4 F2307 5 6 BR92033</p> <p>USED WITH 3/8" MUFFLER CLAMPS</p> <p>13/32" x 31/32" HOLES</p>	

ACURA	AMC
<p>FEH560</p> <ol style="list-style-type: none"> 1 528811 2 8531 3 TH878 4 F1780T 5 35119 6 BR560  <p style="text-align: center;">1992-93 VIGOR 2451cc (2.5L) MUFFLER</p>	<p>TPH632B</p> <ol style="list-style-type: none"> 1 523469 2 8476 3 TH346 4 F1274 5 35541 6 BR231  <p style="text-align: center;">1974-78 MATADOR 304, 360, 401 TAIL PIPE</p>
<p>TPH1005B</p> <ol style="list-style-type: none"> 1 2 3 4 5 6 BR92138  <p style="text-align: center;">1990-96 INTEGRA 1.7L, 1.8L; 1991 LEGEND 3.2L; 1995-96 TL 2.5L; 1992-94 VIGOR 2.5L MUFFLER; EXHAUST PIPE</p>	<p>TPH834B</p> <ol style="list-style-type: none"> 1 528918 2 8210 3 TH948 4 F2116 5 35708 6 BR820  <p style="text-align: center;">1988-89 MEDALLION 2.2L TAIL PIPE</p>

BRACKETS

OEM TYPE BRACKETS AND HANGERS

AUDI **AUDI continued**

FEH1147

- 1
- 2
- 3
- 4
- 5
- 6



1980-85 4000S 5 CYL.
1984-86 COUPE GT
1984-87 4000S 4 CYL.
EXHAUST PIPE

TPH838B

- 1 528764
- 2 8262
- 3 TH937
- 4 F1910
- 5 35466
- 6 BR838



1988-92 80, 90, 80 QUATTRO, 90 QUATTRO 2.0L,
2.3L; 1985-87 4000 S QUATTRO 2.2L
MUFFLER-FIRST

FEH1203

- 1
- 2
- 3
- 4 F2355
- 5
- 6 BR92045



1988-89 80 2.0L, 1990-92 80 2.3L; 1988-92 90 2.3L;
1986 QUATTRO 2.2L
MUFFLER-REAR

FEH556

- 1 528804
- 2 339995
- 3 H1031
- 4 F1787T
- 5 35042
- 6 BR556





1980-83 5000 2.0L DIESEL, 2.2L
MUFFLER; TAIL PIPE

FEH568

- 1 528708
- 2 8515
- 3 H1032
- 4 F3759
- 5
- 6 BR568



1973-79 FOX, ALL; 1989-91 100, 200 2.3L;
1980-87 4000 1.7L, 1.8L, 2.2L, 1588cc DIESEL;
1978-78 5000 2.0L, 2.2L, 2.3L
MUFFLER; TAIL PIPE

BMW	BMW continued
<p>FEH1162</p> <p>1 2 3 4 5 35717 6 br452</p>  <p>1991-92 318li 318ic, 318is 1.8L 1985-89 325. 325e. 325ea. 325es 2.7L MUFFLER STRAP</p>	<p>FEH337</p> <p>1 528999 2 8518 3 TH844 4 F1796 5 35123 6 BR659</p>  <p>1968-93 318i, 323i; 325E, 325ES, 325i, 325iC, 325iS, 325iX, 524, 525i, 528E, 528i, 530i, 533i, 535i; 630CSI, 633CSI, 635CSI, 733i, 735i, 735iL, 1602, 2002 MUFFLER; TAIL PIPE</p>
<p>FEH411</p> <p>1 526174 2 8267 3 TH954 4 F1968 5 35474 6 BR608</p>  <p>1976-83 320i 1.8L, 2.0L MUFFLER-REAR</p>	<p>TPH1004B</p> <p>1 2 3 4 5 6 BR92137</p>  <p>1992 325i, 325is 2.5L 2ND PIPE</p>
<p>TPH1034B</p> <p>1 2 3 4 F2349 5 6 BR92044</p>  <p>1990-94 318is 1.8L; 1993-94 320ic 2.5L; 1992-94 325i, 325is 2.5L; 1994 325ic 2.5L; 1994 840ci 4.0L; 1994 850ci, 1993-94 850csi; 1990-93 850i 5.0L MUFFLER</p>	
<p>FEH336</p> <p>1 528941 2 3 TH1036 4 F2172 5 35711 6 BR643</p>  <p>1983-85 318i 1.8L; 1989-90 525i 2.5L; 1982-88 528E 2.7L; 1983-84 533i 3.2L; 1985-93 5.5i 3.4L; 1981-84 633CSI 3.2L; 1984-87 635CSI 3.4L; 1985-92 735i, 735iL 3.4L MUFFLER</p>	

BRACKETS

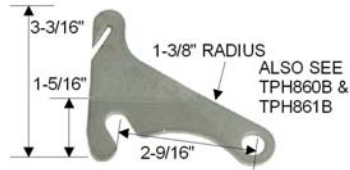
OEM TYPE BRACKETS AND HANGERS

BUICK

BUICK continued

FW887

- 1
- 2
- 3
- 4 F2427
- 5 35010
- 6 BR92100



1990-92 CENTURY 151 (2.5L);
1990-91 CENTURY 204 (3.3L)
CONVERTER

TPH180B

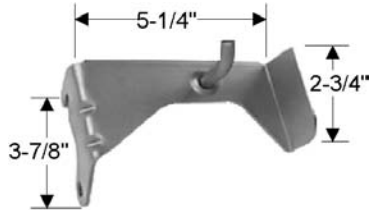
- 1 523462
- 2 8557
- 3 TH498
- 4 F1526
- 5 35661
- 6 BR124



1971-74 ELECTRA; LESABRE 350, 455;
1973 CENTURION 350, 455;
1973-74 CENTURY, REGAL 350, 455
WITHOUT RESONATOR
TAIL PIPE

TPH1016B

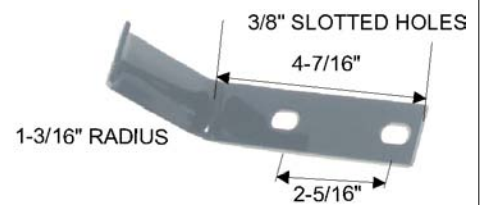
- 1 529097
- 2
- 3 TH1099
- 4
- 5
- 6 BR92163



1994-96 CENTURY 3.1L(189 M);
1992-93 3.3L(204 N); 1994 REGAL 3.1L(189 M)
CONVERTER-REAR

TPH190B

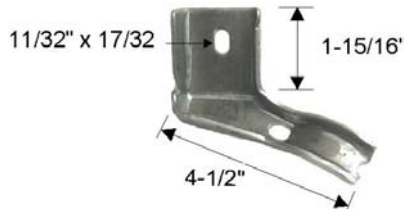
- 1 523928
- 2 8215
- 3 H1256
- 4 F1897
- 5 35358
- 6 BR318



1979-85 RIVIERA 231, 252, 307, 350N, R, X; 1975-79
APOLLO, SKYLARK 231, 250, 260, 301, 305, 350
MUFFLER-DUAL OUTLET; MUFFLER-RIGHT

TPH1197B

- 1
- 2
- 3
- 4 F2115
- 5
- 6 BR91928



1981-82 REGAL 267, 305H
MUFFLER

TPH195B

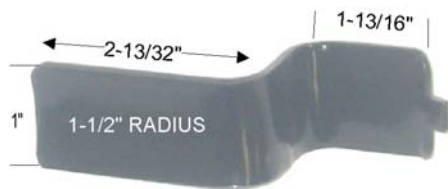
- 1 528702
- 2 8494
- 3 TH751
- 4 F1628
- 5 35181
- 6 BR267



1975-77 CENTURY, REGAL 231, 305, 350
1975-76 ELECTRA, LE SABRE, RIVIERA 231, 350, 455
MUFFLER

TPH131B

- 1 523006
- 2 8485
- 3 TH483
- 4 F1529
- 5 35175
- 6 BR129





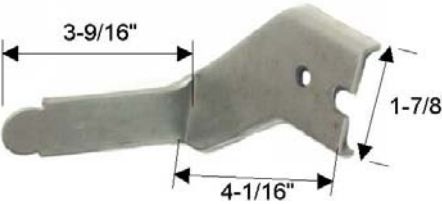



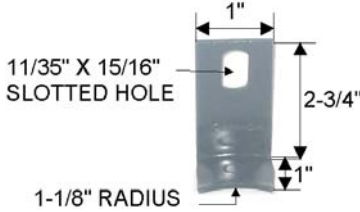
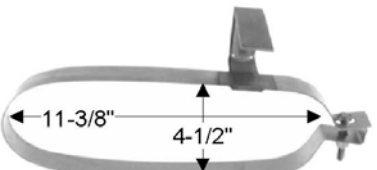
1971-76 CENTURION, ELECTRA, LESABRE 350J-K,
455
TAIL PIPE

TPH201B

- 1 523467
- 2 8498
- 3 H1161
- 4 F1629
- 5 35662
- 6 BR261



1975-76 ELECTRA, CENTURY, LE SABRE, REGAL,
RIVIERA 231, 350, 455; 1977-84 ELECTRA,
LESABRE, RIVIERA 231, 252, 350H, 350J, 350N,
350R, 350X, 301, 403 1977-79 ESTATE WAGON 403
MUFFLER

BUICK continued	BUICK continued
<p>TPH212B</p> <p>1 527070 2 9961 3 H1261 4 F1933 5 35092 6 BR676</p>  <p>1980-85 SKYLARK 151, 173; 1982-92 CENTURY 151, 181, 231(Exc. STATION WAGON) MUFFLER-REAR</p>	<p>TPH769B</p> <p>1 2 8253 3 4 F1947 5 6 BR773</p>  <p>1980-83 ESTATE WAGON 307, 350R-X; 1983-85 350N; 1984-90 307 TAIL PIPE</p>
<p>TPH225B</p> <p>1 529078 2 8178 3 TH1081 4 F2130 5 35716 6 BR739</p>  <p>1983-85 SKYLARK 173W-Z(2.8L) TAILPIPE-DUAL OUTLET RIGHT</p>	<p>TPH860B</p> <p>1 2 3 4 F3908 5 35893 6 BR92111</p>  <p>1986-91 CENTURY 151(2.5L) 1992 CENTURY 204(3.3L) CONVERTER</p>
<p>TPH232B</p> <p>1 2 3 4 5 6 BR675</p>  <p>ALSO SEE TPH793B & TPH220B</p> <p>1980-85 SKYLARK 151, 173; 1982-92 CENTURY 151, 181, 231(Exc. STATION WAGON) MUFFLER-REAR</p>	<p>TPH861B</p> <p>1 2 3 4 F3909 5 6 BR92190</p>  <p>1987 CENTURY 2.5L 1986-88 CENTURY 2.8L CONVERTER-REAR</p>
<p>TPH235B</p> <p>1 2 3 H1173 4 F1905 5 6 BR670</p>  <p>1978-79 ELECTRA, LESABRE, RIVIERA 231A-G-3, 350L-R, 403 TAIL PIPE</p>	<p>TPH1035B</p> <p>1 529106 2 8014 3 TH1120 4 F2415 5 36153 6 BR92192</p>  <p>1994-96 SKYLARK, SOMERSET 2.3L, 2.4L, 3.1L MUFFLER</p>

BRACKETS

OEM TYPE BRACKETS AND HANGERS

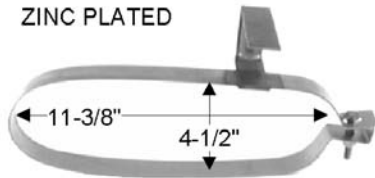
BUICK continued

BUICK continued

TPH1035BP

- 1
- 2
- 3
- 4
- 5
- 6 BR92192P

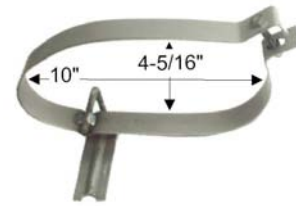
ZINC PLATED



1994-96 SKYLARK, SOMERSET 2.3L, 2.4L, 3.1L
MUFFLER

TPH856B

- 1 528885
- 2 8162
- 3 TH994
- 4 F2184
- 5 35724
- 6 BR856



1985-92 SKYLARK, SOMERSET 140, 151, 204 ;
1988 181; 1988-89 SKYHAWK 121
MUFFLER

TPH230B

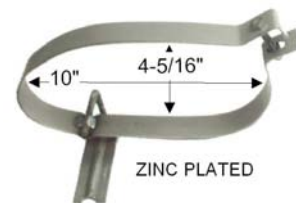
- 1 528884
- 2 8574
- 3 TH993
- 4 F1966
- 5 35943
- 6 BR351



1975-80 SKYHAWK 3.8L "A", 3.8L "C"
MUFFLER

TPH856BP

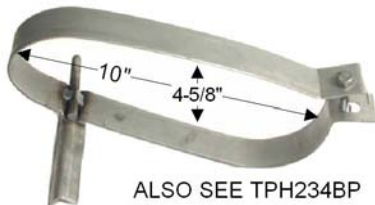
- 1
- 2
- 3
- 4
- 5
- 6 BR856P



1985-92 SKYLARK, SOMERSET 140, 151, 204 ;
1988 181; 1988-89 SKYHAWK 121
MUFFLER

TPH234B

- 1 528886
- 2 8205
- 3 TH995
- 4 F2132
- 5 35703
- 6 BR778



1982-84 SKYHAWK 112, 121
MUFFLER

TPH1250B

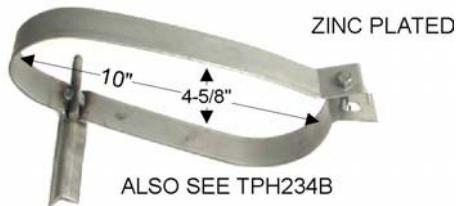
- 1 528867
- 2 8124
- 3 TH981
- 4
- 5 35503
- 6 BR91959



1992 SKYLARK 2.3L, 3.3L
MUFFLER

TPH234BP

- 1
- 2
- 3
- 4
- 5
- 6 BR778P







1982-84 SKYHAWK 112, 121
MUFFLER

TPH1256B

- 1 528962
- 2 8225
- 3 TH932
- 4 F2142
- 5 35544
- 6 BR91968



1986-90 ESTATE WAGON;
1991-92 ROADMASTER 5.0L, 5.7L
EXHAUST PIPE

BUICK continued	BUICK continued
<p>TPH199B</p> <p>1 525583 2 8568 3 H1257 4 F1776 5 35941 6 BR320</p>  <p>1977-78 RIVIERA 350J, R, X, 403; 1977-79 ELECTRA, LESABRE 231, 301, 350H. J. R. 403 TAIL PIPE</p>	<p>TPH213B</p> <p>1 527069 2 8217 3 TH885 4 F1932 5 35547 6 BR720</p>  <p>1982-87 CENTURY, SKYLARK 151, 181, 231, 260D; 1984-87 SKYHAWK 112, 121 2ND PIPE; MUFFLER-REAR</p>
<p>TPH206B</p> <p>1 527059 2 8243 3 TH858 4 F1930 5 35679 6 BR768</p>  <p>1977-79 ESTATE WAGON 350R-X. 403 TAIL PIPE</p>	<p>TPH214B</p> <p>1 527067 2 8247 3 TH886 4 F1943 5 35546 6 BR723</p>  <p>1980-87 CENTURY, REGAL 231, 252, 265, 301, 305, 307, 350N EXHAUST PIPE-3RD. PIPE; MUFFLER-REAR</p>
<p>TPH207B</p> <p>1 528205 2 8598 3 TH859 4 F1963 5 35948 6 BR328</p>  <p>1978-79 CENTURY, REGAL 196, 231, 301, 305, 350 MUFFLER-DUAL OUTLET; MUFFLER-SINGLE OUTLET</p>	<p>TPH217B</p> <p>1 527068 2 8246 3 TH900 4 F1987 5 35464 6 BR740</p>  <p>1980-83 CENTURY, REGAL 231, 252, 265, 301, 305, 350N; 1986-87 307 ; TAIL PIPE; TAILPIPE-DUAL OUTLET RIGHT</p>
<p>TPH208B</p> <p>1 528902 2 8599 3 TH860 4 F1934 5 35464 6 BR331</p>  <p>1978-79 CENTURY, REGAL 196, 231, 301, 305, 1978-79 STATION WAGON 350 MUFFLER-DUAL OUTLET; MUFFLER-SINGLE OUTLET</p>	<p>TPH218B</p> <p>1 529063 2 3 TH902 4 F1988 5 35377 6 BR672</p>  <p>1979-85 RIVIERA 252, 231, 307, 350N. TAIL PIPE</p>

BRACKETS

OEM TYPE BRACKETS AND HANGERS

BUICK continued

BUICK continued

TPH632B

- 1 523469
- 2 8476
- 3 TH346
- 4 F1274
- 5 35541
- 6 BR231



1975-77 CENTURY, CUSTOM, REGAL 231; 1965-70 SKYLARK, SPECIAL 250, 350, 455
TAIL PIPE

TPH870B

- 1 528100
- 2 8200
- 3 TH964
- 4 F2185
- 5 35720
- 6 BR870



1984-87 SKYHAWK 112, 121; 1992 REGAL, SKYLARK 138; 1985-87 REGAL, SKYLARK 181
MUFFLER-REAR

TPH852B

- 1
- 2 8201
- 3
- 4 F2165
- 5
- 6 BR852



FOR RUBBER STRAP ONLY
USE TPH1036B

1982-84 SKYHAWK 112G, 121
EXHAUST PIPE-2ND PIPE

TPH1026B

- 1 529040
- 2 8018
- 3 TH1064
- 4 F2348
- 5
- 6 BR92215



1992-96 SKYLARK, SOMERSET 2.3L, 2.4L, 3.1L, 3.3L
EXHAUST PIPE

TPH857B

- 1 528877
- 2 8116
- 3 TH985
- 4
- 5 35704
- 6 BR857



1984-86 SKYHAWK 121
EXHAUST PIPE-2ND PIPE

TPH1318B

- 1
- 2
- 3
- 4 F2322
- 5 35262
- 6 BR92074



3/8" BOLT HOLES

4-1/8"

1994 SKYLARK, SOMERSET 138 (2.3L), 189 (3.1L)
MUFFLER-DUAL-LEFT; MUFFLER-UPPER

TPH858B

- 1 523150
- 2 8199
- 3 TH963
- 4 F2183
- 5 35285
- 6 BR858



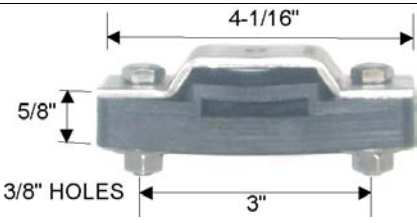


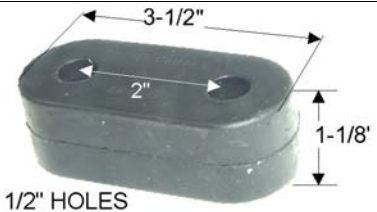




1985-87 SKYLARK, SKYHAWK, SOMERSET 112, 121, 122, 181
MUFFLER-FRONT

TPH188B

- 1 529051
- 2 8487
- 3 TH503
- 4 F1544
- 5 35527
- 6 BR193



1973-74 APOLLO, SKYLARK 250; 1975-79 305, 350L
TAIL PIPE-DUAL-RIGHT; TAIL PIPE-SINGLE

BUICK continued	BUICK continued
<p>TPH191LB</p> <p>1 528703 2 8241 3 TH824 4 F1482 5 35705 6 BR359</p>  <p>1974 RIVIERA 455; 1975-80 SKYHAWK 3.8L "A", 3.8L "C"; 1975-79 APOLLO, SKYLARK 3.8L, 250, 260, 301, 305. 350L. R; 1971-76 ESTATE WAGON 350. 455 TAIL PIPE; MUFFLER</p>	<p>TPH793B</p> <p>1 529558 2 8223 3 TH921 4 F2105 5 35462 6 BR793</p> <p>ALSO SEE TPH220B & TPH232B</p>  <p>1980-85 SKYLARK 151, 173; 1982-92 CENTURY 151, 181, 231(Exc. STATION WAGON) MUFFLER-REAR</p>
<p>TPH202B</p> <p>1 524514 2 8573 3 H1258 4 F1965 5 35270 6 BR323</p>  <p>1977-78 RIVIERA 350J, R, X, 403; 1977-92 ELECTRA, LESABRE, ESTATE WAGON, ROADMASTER 231(Exc. 1986-92), 252, 301, 305, 307, 350H, J, N, R, X, 403 MUFFLER</p>	<p>FEH1192</p> <p>1 528982 2 8106 3 TH1047 4 F2271 5 35229 6 BR91936</p>  <p>1988-91 REGAL 2.8L, 3.1L, 3.8L EXHAUST PIPE; MUFFLER-REAR</p>
<p>TPH227B</p> <p>1 2 3 4 5 6 BR316</p>  <p>COMBINATION TPH201B TPH195B TPH193B</p> <p>1975-77 CENTURY, REGAL 231, 305, 350; 1975-76 ELECTRA, LE SABRE, RIVIERA 231, 350, 455 MUFFLER</p>	<p>FEH1196</p> <p>1 528983 2 3 TH1048 4 F2272 5 35230 6 BR91937</p>  <p>1988-91 REGAL 2.8L, 3.1L MUFFLER-FRONT</p>
<p>TPH31B</p> <p>1 525109 2 8438 3 TH486 4 F1525 5 35525 6 BR130</p>  <p>1971-74 CENTURION, ELECTRA, LESABRE 350H-J-K, 455; 1973-74 CENTURY, REGAL 350G-H-J-K FRONT MUFFLER</p>	<p>FEH554</p> <p>1 528802 2 9959 3 TH520 4 F1565 5 35391 6 BR554</p>  <p>1985-93 ELECTRA, LESABRE, PARK AVENUE 3.0L, 3.8L 260D; 1986-93 RIVIERA 3.8L; 1988-93 REGAL 2.8L, 3.1L 3RD. PIPE</p>

BRACKETS

OEM TYPE BRACKETS AND HANGERS

BUICK continued

BUICK continued

FEH867

- 1 528873
- 2 8180
- 3
- 4 F2168
- 5 35725
- 6 BR867



1993 ROADMASTER 350
TAIL PIPE

TPH220B

- 1 529558
- 2 8223
- 3 TH921
- 4 F2105
- 5 35462
- 6 BR674

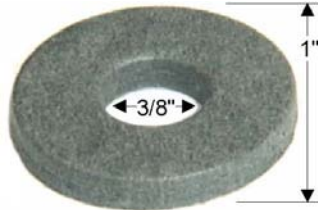


ALSO SEE TPH793B & TPH323B

1980-85 SKYLARK 151, 173; 1982-92 CENTURY 151,
181, 231(Exc. STATION WAGON)
MUFFLER-REAR

TH1013B

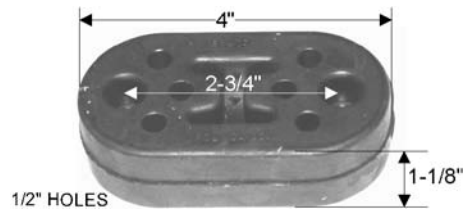
- 1 528904
- 2
- 3 TH1013
- 4
- 5 35013
- 6 BR92061



1985-93 LESABRE, ELECTRA, PARK AVENUE,
RIVIERA 3.0L, 3.8L, 4.3L
3RD. PIPE

TPH461B

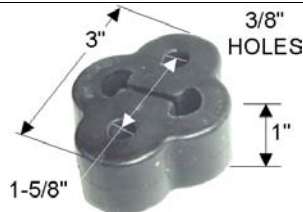
- 1 529026
- 2 8202/8208
- 3 TH970
- 4 F2182
- 5 35750
- 6 BR407



1984-89 SKYHAWK 1.8L, 2.0L;
1990-91 SKYLARK 2.3L, 2.5L, 3.3L;
1985-87 SOMERSET 2.5L, 3.0L
2ND PIPE

TPH1314B

- 1
- 2
- 3
- 4
- 5
- 6 BR92038



1992-94 CENTURY, REGAL 2.2L, 3.1L, 3.3L
EXHAUST PIPE-2ND PIPE; CONVERTER; MUFFLER

TPH863B

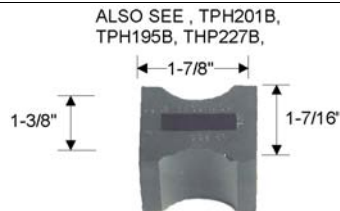
- 1 528921
- 2 8161
- 3 TH965
- 4 F2138
- 5 35259
- 6 BR863



1985-93 ELECTRA, LESABRE, PARK AVENUE,
RIVIERA 231, 181, 260D; 1984-93 CENTURY
STATION WAGON 151, 173, 181, 204, 231, 260D
TAIL PIPE; EXHAUST PIPE-2ND PIPE; MUFFLER

TPH193B

- 1 528761
- 2 8493
- 3 TH748
- 4 F1630
- 5 35046
- 6 BR268



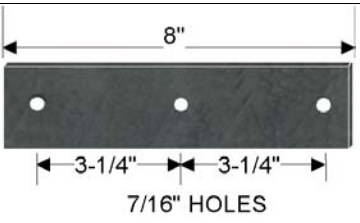




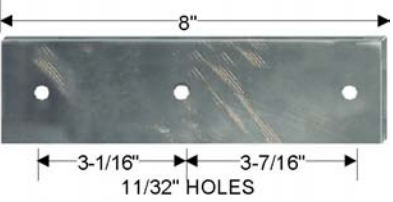
1975-77 CENTURY, REGAL 231, 305, 350
1975-76 ELECTRA, LE SABRE, RIVIERA 231, 350, 455
MUFFLER

TPH874B

- 1 523200
- 2 8202
- 3 TH962
- 4 F2344
- 5
- 6 BR874



1983-89 SKYHAWK 112, 122; 1985-91 REGAL,
SKYLARK, 138, 140, 151, 181, 204
EXHAUST PIPE-2ND PIPE

BUICK continued	BUICK continued
<p>TPH1036B</p> <p>1 528872 2 8201 3 TH972 4 F1931 5 6 BR876</p>  <p>8" 3-1/4" 3-1/4" 7/16" HOLES</p> <p>1982-84 SKYHAWK 1.8L; 1983-86 SKYHAWK 2.0L; 2ND PIPE</p>	<p>FW200</p> <p>1 2 3 4 F2331 5 35242 6 BR92024</p>  <p>10-1/2"</p> <p>1988-92 REGAL 2.8L, 3.1L MIDDLE PIPE</p>
<p>TPH1242B</p> <p>1 524750 2 8228 3 TH933 4 F2159 5 35551 6 BR790</p>  <p>1980-85 CENTURY, SKYLARK 151(2.5L), 173(2.8L) 2ND PIPE</p>	<p>FW886</p> <p>1 2 8121 3 4 5 35247 6 BR408</p>  <p>7-1/8" 1/2"</p> <p>1988-92 ELECTRA, LESABRE, PARK AVENUE 3.8L CONNECTOR PIPE</p>
<p>TPH223B</p> <p>1 529064 2 8224 3 TH931 4 F2101 5 6 BR783</p>  <p>1982-85 CENTURY 181(3.0L); 1984-85 231(3.8L); 1980-85 SKYLARK 173(2.8L) EXHAUST PIPE-2ND PIPE</p>	
<p>TPH781B</p> <p>1 529017 2 8204 3 TH935 4 F2140 5 35261 6 BR91973</p>  <p>8" 3-1/16" 3-7/16" 11/32" HOLES</p> <p>1986-87 BUICK REGAL 3.8L MUFFLER-DUAL RIGHT; MUFFLER-SINGLE</p>	

BRACKETS

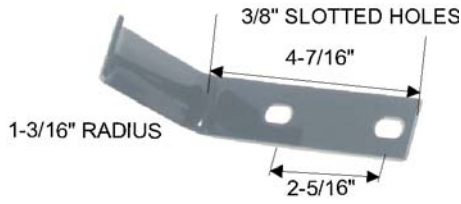
OEM TYPE BRACKETS AND HANGERS

CADILLAC

CADILLAC continued

TPH190B

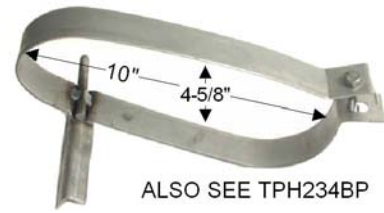
- 1 523928
- 2 8215
- 3 H1256
- 4 F1897
- 5 35358
- 6 BR318



1979-85 ELDORADO, SEVILLE 250(4.1L), 252, 350N,
8. 368
MUFFLER

TPH234B

- 1 528886
- 2 8205
- 3 TH995
- 4 F2132
- 5 35703
- 6 BR778



1982-84 CIMARRON 112. 121
MUFFLER

TPH201B

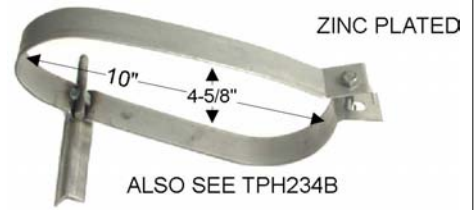
- 1 523467
- 2 8498
- 3 H1161
- 4 F1629
- 5 35662
- 6 BR261



1977-92 FLEETWOOD BROUGHAM 252, 305, 307,
350N-7. 368
MUFFLER-FRONT

TPH234BP

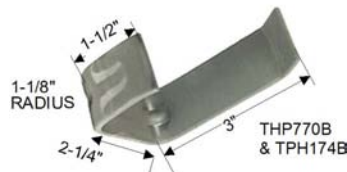
- 1
- 2
- 3
- 4
- 5
- 6 BR778P



1982-84 CIMARRON 112. 121
MUFFLER

TPH210B

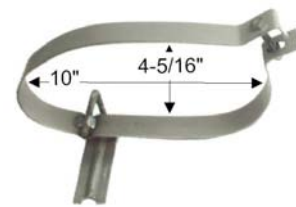
- 1 528758
- 2 9950
- 3 H1094
- 4 F1942
- 5 35045
- 6 BR202C



1971-72 CALAIS, DEVILLE, FLEETWOOD
BROUGHAM. FLEETWOOD LIMO 472. 500
TAIL PIPE

TPH856B

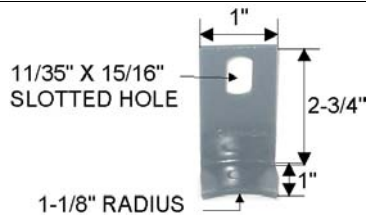
- 1 528885
- 2 8162
- 3 TH994
- 4 F2184
- 5 35724
- 6 BR856



1988 CIMARRON 173
MUFFLER

TPH235B

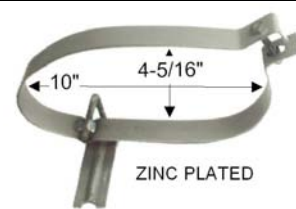
- 1
- 2
- 3 H1173
- 4 F1905
- 5
- 6 BR670



1979 DEVILLE. FLEETWOOD BROUGHAM 350N.
TAIL PIPE

TPH856BP

- 1
- 2
- 3
- 4
- 5
- 6 BR856P



1988 CIMARRON 173
MUFFLER

CADILLAC continued	CADILLAC continued
<p>TPH199B</p> <p>1 525583 2 8568 3 H1257 4 F1776 5 35941 6 BR320</p>  <p>1986-92 FLEETWOOD BROUGHAM 305, 350; 1977-80 DEVILLE, FLEETWOOD BROUGHAM 350N, 425; 1982-85 252, 368 TAIL PIPE</p>	<p>TPH858B</p> <p>1 523150 2 8199 3 TH963 4 F2183 5 35285 6 BR858</p>  <p>1984-86 CIMARRON 121; 1985-87 173 MUFFLER-FRONT</p>
<p>TPH218B</p> <p>1 529063 2 3 TH902 4 F1988 5 35377 6 BR672</p>  <p>1979-85 ELDORADO 250, 252, 350N-8, 368; 1980-85 SEVILLE 250, 252, 350N-8, 368 TAIL PIPE</p>	<p>TPH870B</p> <p>1 528100 2 8200 3 TH964 4 F2185 5 35720 6 BR870</p>  <p>1983-88 CIMARRON 112, 121; 1985-88 173 MUFFLER-REAR</p>
<p>TPH852B</p> <p>1 2 8201 3 4 F2165 5 6 BR852</p>  <p>1982-84 CIMMARRON 112G, 121 EXHAUST PIPE-2ND PIPE</p>	<p>TPH191LB</p> <p>1 528703 2 8241 3 TH824 4 F1482 5 35705 6 BR359</p>  <p>1971-76 CALAIS, DEVILLE, FLEETWOOD 472, 500; 1971-78 ELDORADO 425, 472, 500 TAIL PIPE</p>
<p>TPH857B</p> <p>1 528877 2 8116 3 TH985 4 5 35704 6 BR857</p>  <p>1984-86 CIMARRON 121, 173 EXHAUST PIPE-2ND PIPE</p>	<p>TPH202B</p> <p>1 524514 2 8573 3 H1258 4 F1965 5 35270 6 BR323</p>  <p>1977-85 DEVILLE, FLEETWOOD (R.W.D) 252, 350N, 368, 425 MUFFLER</p>

BRACKETS

OEM TYPE BRACKETS AND HANGERS

CADILLAC continued

CADILLAC continued

FEH554

- 1 528802
- 2 9959
- 3 TH520
- 4 F1565
- 5 35391
- 6 BR554



1985-93 DEVILLE, FLEETWOOD BROUGHAM 252, 260D, 273, 300
3RD. PIPE; 2ND PIPE; MUFFLER-REAR

TPH1010B

- 1
- 2
- 3
- 4 F2215
- 5
- 6 BR92150



1995-96 BROUGHAM, FLEETWOOD BROUGHAM 5.7L
MUFFLER-RIGHT; MUFFLER-LEFT

FEH867

- 1 528873
- 2 8180
- 3
- 4 F2168
- 5 35725
- 6 BR867



1993-94 FLEETWOOD BROUGHAM 350
TAIL PIPE

TPH863B

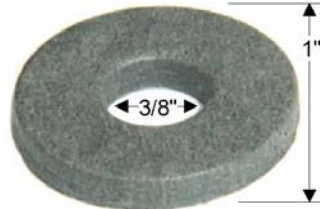
- 1 528921
- 2 8161
- 3 TH965
- 4 F2138
- 5 35259
- 6 BR863



1985-93 DEVILLE, ELDORADO, FLEETWOOD, SEVILLE 252, 260D, 273, 300
TAIL PIPE; EXHAUST PIPE-2ND PIPE

TH1013B

- 1 528904
- 2
- 3 TH1013
- 4
- 5 35013
- 6 BR92061



1985-93 DeVILLE, ELDORADO, FLEETWOOD, SEVILLE 4.1L, 4.5L, 4.9L
3RD. PIPE

TPH874B

- 1 523200
- 2 8202
- 3 TH962
- 4 F2344
- 5
- 6 BR874



1983-88 CIMARRON 112, 121; 1985-88 173
EXHAUST PIPE-2ND PIPE

TH1018B

- 1 528923
- 2
- 3 TH1018
- 4 F2209
- 5
- 6 BR91989



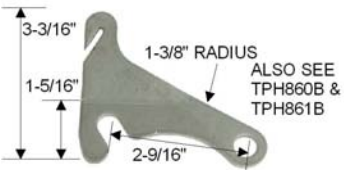
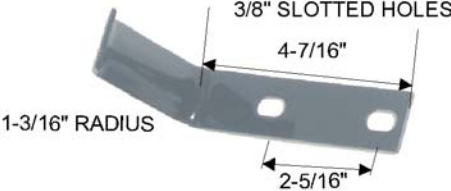

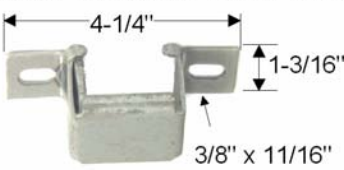
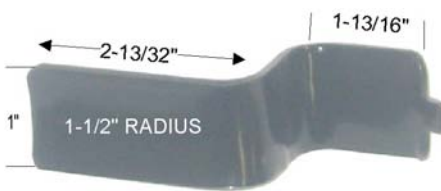



1993 CADILLAC ALLANTE 4.6L
MUFFLER-REAR

FW886

- 1
- 2 8121
- 3
- 4
- 5 35247
- 6 BR408

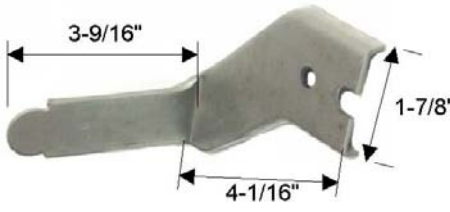


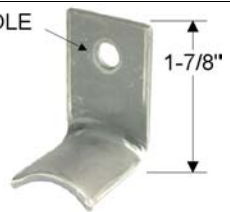
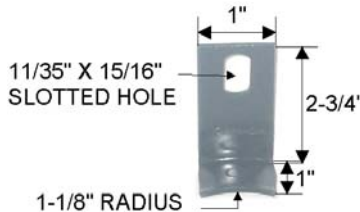
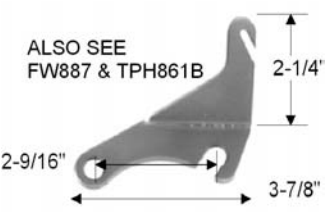




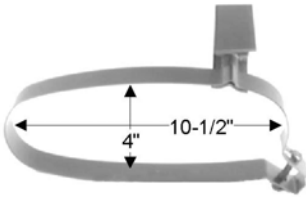

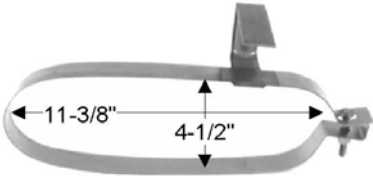
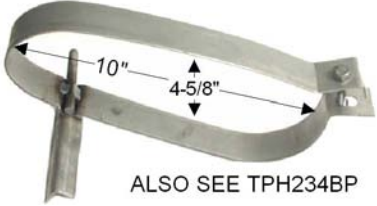
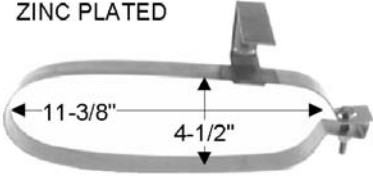
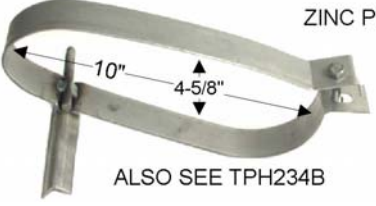
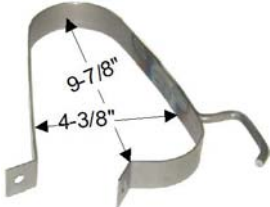
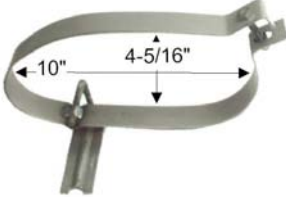
1988-90 COMMERCIAL, DEVILLE, FLEETWOOD 4.5L;
1991-92 COMMERCIAL, DEVILLE, FLEETWOOD 4.9L
CONNECTOR PIPE

CHEVROLET	CHEVROLET continued
<p>FW887</p> <p>1 2 3 4 F2427 5 35010 6 BR92100</p>  <p>1990 CELEBRITY 151 (2.5L), 189 (3.1L) CONVERTER</p>	<p>TPH190B</p> <p>1 523928 2 8215 3 H1256 4 F1897 5 35358 6 BR318</p>  <p>1970-74 CAMARO 307, 350, 402; 1980-81(Exc. Z28) 229, 231, 267, 305; 1973-79 NOVA 350; 1975-79 250, 262, 305, 350 MUFFLER-DUAL OUTLET</p>
<p>TPH1197B</p> <p>1 2 3 4 F2115 5 6 BR91928</p>  <p>1982-83 MALIBU, MONTE CARLO 229, 267, 305H MUFFLER</p>	<p>TPH195B</p> <p>1 528702 2 8494 3 TH751 4 F1628 5 35181 6 BR267</p>  <p>ALSO SEE TPH193B, TPH201B, TPH227B</p> <p>1975-77 CHEVELLE, MALIBU, MONTE CARLO 250, 305, 350, 400; 1975-76 BEL AIR, CAPRICE, IMPALA (Exc. STATION WAGON) 350, 400, 454 MUFFLER</p>
<p>TPH131B</p> <p>1 523006 2 8485 3 TH483 4 F1529 5 35175 6 BR129</p>  <p>1971-76 BEL AIR, BISCAYNE, IMPALA 350J-K-L, 400, 454 (Exc. STATION WAGON) ; TAIL PIPE</p>	<p>TPH201B</p> <p>1 523467 2 8498 3 H1161 4 F1629 5 35662 6 BR261</p>  <p>1975-92 BEL AIR, CAPRICE, IMPALA 229, 231, 250, 262, 267, 305, 350, 350N, 400, 454; 1975-77 CHEVELLE, MALIBU, MONTE CARLO 250, 305, 350, 400 MUFFLER</p>
<p>TPH180B</p> <p>1 523462 2 8557 3 TH498 4 F1526 5 35661 6 BR124</p>  <p>1971-74 IMPALA EXCEPT WAGON 350, 400, 454; 1973 CHEVELLE 250, 307, 350, 454 WITHOUT RESONATOR TAIL PIPE</p>	<p>TPH212B</p> <p>1 527070 2 9961 3 H1261 4 F1933 5 35092 6 BR676</p>  <p>1982-89 CELEBRITY 151, 173; 1980-85 CITATION 151, 173; 1984-91 CORVETTE 350 MUFFLER-REAR</p>

BRACKETS

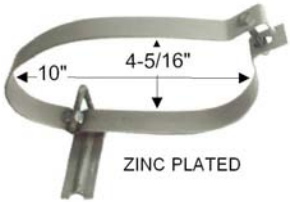






OEM TYPE BRACKETS AND HANGERS

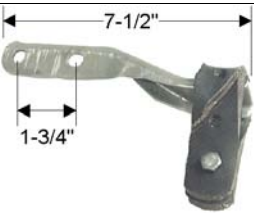



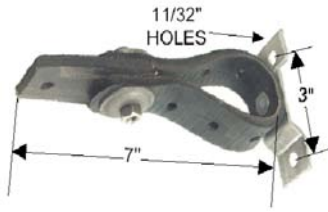
CHEVROLET continued	CHEVROLET continued
<p>TPH225B</p> <p>1 529078 2 8178 3 TH1081 4 F2130 5 35716 6 BR739</p>  <p>1983-85 CITATION 173W-Z(2.8L) TAILPIPE-DUAL OUTLET RIGHT</p>	<p>TPH770B</p> <p>1 528760 2 8503 3 TH759 4 F1775 5 35039 6 BR347</p>  <p>1978-82 CORVETTE 305G, 350; 1984-88 MONTE CARLO SS 305G TAIL PIPE-DUAL</p>
<p>TPH232B</p> <p>1 2 3 4 5 6 BR675</p>  <p>ALSO SEE TPH793B & TPH220B</p> <p>1982-89 CELEBRITY 151, 173; 1980-85 CITATION 151, 173 MUFFLER-REAR</p>	<p>TPH77B</p> <p>1 529013 2 3 TH925 4 F1989 5 35098 6 BR784</p>  <p>1984-88 CAMARO 2.8L, 5.0L TAIL PIPE</p>
<p>TPH235B</p> <p>1 2 3 H1173 4 F1905 5 6 BR670</p>  <p>1982-83 CAMARO 151, 173, 305H; 1971-73 VEGA 140 ; TAIL PIPE</p>	<p>TPH860B</p> <p>1 2 3 4 F3908 5 35893 6 BR92111</p>  <p>ALSO SEE FW887 & TPH861B</p> <p>1986-90 CELEBRITY 151(2.5L) CONVERTER</p>
<p>TPH769B</p> <p>1 2 8253 3 4 F1947 5 6 BR773</p>  <p>1980-85 CAPRICE, IMPALA STATION WAGON 267, 305, 350H-N; 1983-84 305; 1986-90 307Y TAIL PIPE</p>	<p>TPH861B</p> <p>1 2 3 4 F3909 5 6 BR92190</p>  <p>ALSO SEE FW887 & TPH860B</p> <p>1990 CELEBRITY 2.5L 1986-89 CELEBRITY 2.8L CONVERTER-REAR</p>

CHEVROLET continued		CHEVROLET continued	
<p>TPH1003B</p> <p>1 2 8062 3 4 5 6 BR92114</p>  <p>1992-94 CAVALIER 134 (2.4L), 189 (3.1L) MUFFLER</p>	<p>TPH230B</p> <p>1 528884 2 8574 3 TH993 4 F1966 5 35943 6 BR351</p>  <p>1975-79 MONZA 140, 262, 305; 1978-80 151, 196, 231 (Exc. STATION WAGON & MONZA S) MUFFLER</p>		
<p>TPH1035B</p> <p>1 529106 2 8014 3 TH1120 4 F2415 5 36153 6 BR92192</p>  <p>1994-96 BERETTA, CORSICA 2.2L, 2.3L, 3.1L MUFFLER</p>	<p>TPH234B</p> <p>1 528886 2 8205 3 TH995 4 F2132 5 35703 6 BR778</p>  <p>ALSO SEE TPH234BP</p> <p>1982-84 CAVALIER 112, 121 MUFFLER</p>		
<p>TPH1035BP</p> <p>ZINC PLATED</p> <p>1 2 3 4 5 6 BR92192P</p>  <p>1994-96 BERETTA, CORSICA 2.2L, 2.3L, 3.1L MUFFLER</p>	<p>TPH234BP</p> <p>ZINC PLATED</p> <p>1 2 3 4 5 6 BR778P</p>  <p>ALSO SEE TPH234B</p> <p>1982-84 CAVALIER 112, 121 MUFFLER</p>		
<p>TPH1328B</p> <p>1 529109 2 8054 3 4 5 6 BR92225</p>  <p>1995-2001 CAVALIER 2.2L, 2.3L, 2.4L MUFFLER</p>	<p>TPH856B</p> <p>1 528885 2 8162 3 TH994 4 F2184 5 35724 6 BR856</p>  <p>1987-92 CAVALIER 134, 173, 189; 1988-89 121 MUFFLER</p>		

BRACKETS

OEM TYPE BRACKETS AND HANGERS



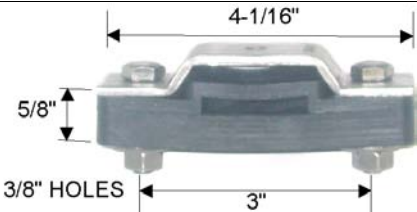





CHEVROLET continued		CHEVROLET continued	
<p>TPH856BP</p> <p>1 2 3 4 5 6 BR856P</p>  <p>1987-92 CAVALIER 134, 173, 189; 1988-89 121 MUFFLER</p>	<p>TPH1256B</p> <p>1 528962 2 8225 3 TH932 4 F2142 5 35544 6 BR91968</p>  <p>1986-87 CAPRICE WAGON 5.0L: EXHAUST PIPE</p>		
<p>TPH1193B</p> <p>1 529077 2 3 TH1080 4 5 35245 6 BR91947</p>  <p>1983-92 CAMARO 2.5L, 2.8L, 5.0L; 1990-92 CAMARO 5.7L EXHAUST PIPE</p>	<p>TPH146B</p> <p>1 2 3 4 5 6</p>  <p>1962-74 CHEVELLE. GTO. LEMANS. TEMPEST EXHAUST PIPE</p>		
<p>TPH1250B</p> <p>1 528867 2 8124 3 TH981 4 5 35503 6 BR91959</p>  <p>1987-92 BERETTA. CORSICA 2.0L. 2.3L. 2.8L. 3.1L MUFFLER</p>	<p>TPH147B</p> <p>1 2 3 4 5 6</p>  <p>1962-74 CHEVELLE. GTO. LEMANS. TEMPEST EXHAUST PIPE</p>		
<p>TPH1254B</p> <p>1 2 8118 3 4 5 35244 6 BR91983</p>  <p>1991 CAPRICE POLICE 5.0L; 1991 CAPRICE WAGON 5.7L EXHAUST PIPE</p>	<p>TPH166B</p> <p>1 2 3 4 5 6</p>  <p>1968-72 NOVA 1967-69 CAMARO EXHAUST PIPE-REAR</p>		

CHEVROLET continued	CHEVROLET continued
<p>TPH199B</p> <p>1 525583 2 8568 3 H1257 4 F1776 5 35941 6 BR320</p>  <p>1977-90 CAPRICE, IMPALA (Exc. STATION WAGON) 229, 231, 250, 262, 267, 305, 307, 350H, L TAIL PIPE</p>	<p>TPH213B</p> <p>1 527069 2 8217 3 TH885 4 F1932 5 35547 6 BR720</p>  <p>1980-85 CITATION 151, 173; 1982-85 CELEBRITY 151, 173, 260D(Exc. STATION WAGON) ; EXHAUST PIPE-2ND PIPE</p>
<p>TPH206B</p> <p>1 527059 2 8243 3 TH858 4 F1930 5 35679 6 BR768</p>  <p>1977-79 CAPRICE, IMPALA 305, 350 TAIL PIPE</p>	<p>TPH214B</p> <p>1 527067 2 8247 3 TH886 4 F1943 5 35546 6 BR723</p>  <p>1980-84 MALIBU, MONTE CARLO, 231, 350L-N-6-8; 1980-81 229, 267, 305 MUFFLER-LEFT</p>
<p>TPH207B</p> <p>1 528205 2 8598 3 TH859 4 F1963 5 35948 6 BR328</p>  <p>1978-81 MALIBU, MONTE CARLO 200, 231, 305, 350; 1979 267 MUFFLER-DUAL OUTLET; MUFFLER-SINGLE OUTLET</p>	<p>TPH217B</p> <p>1 527068 2 8246 3 TH900 4 F1987 5 35464 6 BR740</p>  <p>1980-84 MALIBU, MONTE CARLO 231, 350L-N-6-8; 1980-81 229, 267, 305 TAILPIPE-DUAL OUTLET RIGHT; TAIL PIPE</p>
<p>TPH208B</p> <p>1 528902 2 8599 3 TH860 4 F1934 5 35464 6 BR331</p>  <p>1978-79 MALIBU, MONTE CARLO 200, 231, 267, 305, 350; 1980-81 305, 350 (DUAL OUTLET ONLY) MUFFLER-DUAL OUTLET; MUFFLER-SINGLE OUTLET</p>	<p>TPH222B</p> <p>1 528903 2 8165 3 TH930 4 F2158 5 35475 6 BR779</p>  <p>1982-93 CAMARO 151, 173, 305E-F-G, 350 TAILPIPR-DUAL OUTLET RIGHT; TAIL-SINGLE OUTLET-RIGHT</p>

BRACKETS

OEM TYPE BRACKETS AND HANGERS

CHEVROLET continued		CHEVROLET continued	
<p>TPH632B</p> <p>1 523469 2 8476 3 TH346 4 F1274 5 35541 6 BR231</p>  <p>1975-77 MALIBU, MONTE CARLO 250, 305, 350, 400 ; TAIL PIPE</p>	<p>TPH870B</p> <p>1 528100 2 8200 3 TH964 4 F2185 5 35720 6 BR870</p>  <p>1985-87 CAVALIER 173, 181; 1984-87 121 MUFFLER-REAR</p>		
<p>TPH852B</p> <p>1 2 8201 3 4 F2165 5 6 BR852</p>  <p>1982-84 CAVALIER 112G, 121 EXHAUST PIPE-2ND PIPE</p>	<p>TH1050B</p> <p>1 528985 2 3 TH1050 4 8024 5 35648 6 BR91951</p>  <p>1982-92 CAMARO 5.0L, 5.7L MUFFLER</p>		
<p>TPH857B</p> <p>1 528877 2 8116 3 TH985 4 5 35704 6 BR857</p>  <p>1984-86 CAVALIER 121 EXHAUST PIPE-2ND PIPE</p>	<p>TPH1026B</p> <p>1 529040 2 8018 3 TH1064 4 F2348 5 6 BR92215</p>  <p>1992-97 BERETTA, CAVALIER, CORSICA 2.2L, 2.3L, 2.4L, 3.1L EXHAUST PIPE</p>		
<p>TPH858B</p> <p>1 523150 2 8199 3 TH963 4 F2183 5 35285 6 BR858</p>  <p>1984-87 CAVALIER 121 MUFFLER-FRONT</p>	<p>TPH1318B</p> <p>1 2 3 4 F2322 5 35262 6 BR92074</p>  <p>1994 BERETTA, CORSICA 138 (2.3L), 189 (3.1L); 1992-94 CAVALIER 134 (2.2L), 189 (3.1L) MUFFLER-UPPER</p>		

CHEVROLET continued	CHEVROLET continued
<p>TPH188B</p> <p>1 529051 2 8487 3 TH503 4 F1544 5 35527 6 BR193</p>  <p>1970-74 CAMARO (EXC Z28) 250, 305, 350; 1975-79 305, 350; 1980-81 CAMARO, BERLINETTA 229, 231, 305H; 1973-74 NOVA 250; 1973-78 305, 307, 350 TAIL PIPE-DUAL LEFT; TAIL PIPE-DUAL-RIGHT; TAIL PIPE-SINGLE</p>	<p>TPH31B</p> <p>1 525109 2 8438 3 TH486 4 F1525 5 35525 6 BR130</p>  <p>1969-74 BEL AIR, BISCAYNE, CAPRICE, IMPALA 250, 350, 400, 454 (Exc. STATION WAGON); 1980-81 CAMARO Z28 305, 350; 1973 MALIBU, MONTE CARLO 250, 307, 350H-J-K-T, 454 MUFFLER</p>
<p>TPH191LB</p> <p>1 528703 2 8241 3 TH824 4 F1482 5 35705 6 BR359</p>  <p>1975-81 CAMARO 229, 231, 267, 305, 350; 1975-76 250; 1975-80 MONZA 140, 151, 196, 231, 262, 305 (Exc. STATION WAGON & "S" MODEL); 1975-79 NOVA 250, 262, 305, 350 MUFFLER-REAR; DUAL OUTLET</p>	<p>TPH793B</p> <p>1 529558 2 8223 3 TH921 4 F2105 5 35462 6 BR793</p>  <p>ALSO SEE TPH220B & TPH232B</p> <p>1982-89 CELEBRITY 151, 173; 1980-85 CITATION 151, 173. EXHAUST PIPE-2ND PIPE</p>
<p>TPH202B</p> <p>1 524514 2 8573 3 H1258 4 F1965 5 35270 6 BR323</p>  <p>1977-92 CAPRICE, IMPALA 229, 231, 250, 262, 267, 305, 307, 350L, N MUFFLER</p>	<p>FEH1192</p> <p>1 528982 2 8106 3 TH1047 4 F2271 5 35229 6 BR91936</p>  <p>1988-91 LUMINA 2.5L, 3.1L, 3.4L EXHAUST PIPE; MUFFLER-REAR</p>
<p>TPH227B</p> <p>1 2 3 4 5 6 BR316</p>  <p>COMBINATION TPH201B TPH195B TPH193B</p> <p>1975-77 CHEVELLE, MALIBU, MONTE CARLO 250, 305, 350, 400; 1975-76 BEL AIR, CAPRICE, IMPALA (Exc. STATION WAGON) 350, 400, 454 MUFFLER</p>	<p>FEH1196</p> <p>1 528983 2 3 TH1048 4 F2272 5 35230 6 BR91937</p>  <p>1990-92 LUMINA 2.5L, 3.1L MUFFLER-FRONT</p>

BRACKETS

OEM TYPE BRACKETS AND HANGERS


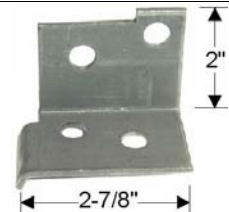



CHEVROLET continued		CHEVROLET continued	
<p>FEH413</p> <p>1 2 3 4 F2173 5 6 BR406</p>  <p>1985-88 SPECTRUM 92(1.5L) EXHAUST PIPE-2ND PIPE; EXHAUST PIPE-FRONT</p>	<p>FEH941</p> <p>1 528955 2 8075 3 TH941 4 F2120 5 35029 6 BR427</p>  <p>1987-91 BERETTA, CORSICA 133, 122, 138, 191 MUFFLER-REAR</p>		
<p>FEH552</p> <p>1 528954 2 8511 3 TH826 4 F1914 5 35353 6 BR552</p>  <p>1976-78 CHEVETTE 1.4L, 1.6L TAIL PIPE</p>	<p>TPH1010B</p> <p>1 2 3 4 F2215 5 6 BR92150</p>  <p>1995-96 CAPRICE 5.7L MUFFLER-RIGHT; MUFFLER-LEFT</p>		
<p>FEH554</p> <p>1 528802 2 9959 3 TH520 4 F1565 5 35391 6 BR554</p>  <p>1976-87 CHEVETTE 1.4L, 1.6L 1.8L DIESEL; 1987-92 BERETTA, CORSICA 2.0L, 2.2L, 2.3L, 2.8L, 3.1L; 1990-92 LUMINA (Exc. A.P.V) 2.5L, 3.1L MUFFLER-REAR; 2ND PIPE</p>	<p>TPH193B</p> <p>1 528761 2 8493 3 TH748 4 F1630 5 35046 6 BR268</p>  <p>1975-77 CHEVELLE, MALIBU, MONTE CARLO 250, 305, 350, 400; 1975-76 BEL AIR, CAPRICE, IMPALA (Exc. STATION WAGON) 350, 400, 454 MUFFLER</p>		
<p>FEH867</p> <p>1 528873 2 8180 3 4 F2168 5 35725 6 BR867</p>  <p>1986-87 SPRINT 61(1.0L); 1993 CAPRICE 305E, 350 (Exc. STATION WAGON) MUFFLER; TAIL PIPE</p>	<p>TPH220B</p> <p>1 529558 2 8223 3 TH921 4 F2105 5 35462 6 BR674</p>  <p>1982-89 CELEBRITY 151, 173; 1980-85 CITATION 151, 173. MUFFLER-REAR</p>		

CHEVROLET continued	CHEVROLET continued
<p>TPH226B</p> <ol style="list-style-type: none"> 1 527072 2 8207 3 TH967 4 F1946 5 35545 6 BR712  <p style="text-align: center;">1979-87 CHEVETTE 98 (1.6L), 1.8L (DIESEL) TAIL PIPE</p>	<p>TPH1036B</p> <ol style="list-style-type: none"> 1 528872 2 8201 3 TH972 4 F1931 5 6 BR876  <p style="text-align: center;">1982-86 CAVALIER 2.0L; 1985-87 CAVALIER 2.8L; 1984-88 MONTE CARLO 5.0L DUAL OUTLET 2ND PIPE; TAIL PIPE</p>
<p>TPH461B</p> <ol style="list-style-type: none"> 1 529026 2 8202/8208 3 TH970 4 F2182 5 35750 6 BR407  <p style="text-align: center;">1985-89 CAMARO 2.8L; 1990-92 3.1L 2ND PIPE</p>	<p>TPH1242B</p> <ol style="list-style-type: none"> 1 524750 2 8228 3 TH933 4 F2159 5 35551 6 BR790  <p style="text-align: center;">1980-85 CELEBRITY, CITATION 151(2.5L), 173(2.8L) 2ND PIPE</p>
<p>TPH863B</p> <ol style="list-style-type: none"> 1 528921 2 8161 3 TH965 4 F2138 5 35259 6 BR863  <p style="text-align: center;">1984-90 CELEBRITY STATION WAGON 151, 173, 189, 260D TAIL PIPE; EXHAUST PIPE-2ND PIPE</p>	<p>TPH223B</p> <ol style="list-style-type: none"> 1 529064 2 8224 3 TH931 4 F2101 5 6 BR783  <p style="text-align: center;">1980-85 CELEBRITY, CITATION 173(2.8L) EXHAUST PIPE-2ND PIPE</p>
<p>TPH874B</p> <ol style="list-style-type: none"> 1 523200 2 8202 3 TH962 4 F2344 5 6 BR874  <p style="text-align: center;">1987-92 CAVALIER 121,134, 173, 189, 1983-84 112, 121 EXHAUST PIPE-2ND PIPE</p>	<p>TPH781B</p> <ol style="list-style-type: none"> 1 529017 2 8204 3 TH935 4 F2140 5 35261 6 BR91973  <p style="text-align: center;">1980-88 CABALLERO, EL CAMINO, MALIBU, MONTE CARLO 3.8L, 4.3L, 5.0L MUFFLER-DUAL RIGHT; MUFFLER-SINGLE</p>

BRACKETS

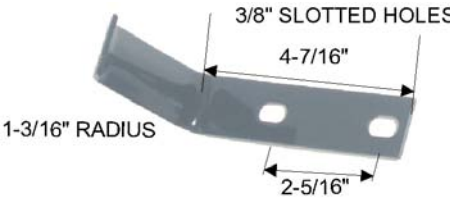

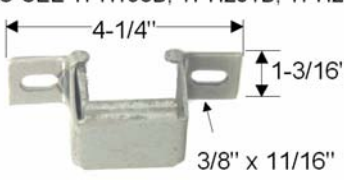
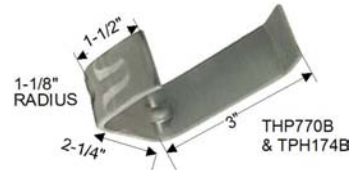
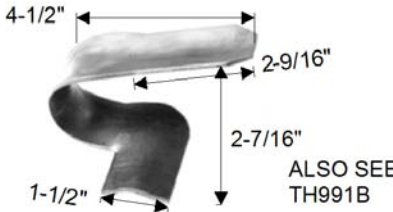


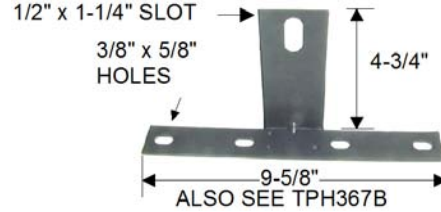
OEM TYPE BRACKETS AND HANGERS

CHEVROLET continued		CHEVROLET TRUCK	
<p>FW200</p> <p>1 2 3 4 F2331 5 35242 6 BR92024</p>  <p>1990-92 LUMINA 2.5L, 3.1L MIDDLE PIPE</p>	<p>TH1017B</p> <p>1 528908 2 8214 3 TH1017 4 F2346 5 6 BR91946</p>  <p>1988-91 C, K, R SERIES, 350(5.7L), 379(6.2L) TAIL PIPE-DUAL OUTLET</p>		
<p>FW208</p> <p>1 2 3 4 5 6 BR92020</p>  <p>1985-88 SPRINT 1.0L CONVERTER</p>	<p>TH1051B</p> <p>1 528986 2 8109 3 TH1051 4 5 6 BR91952</p>  <p>1986-92 C, K SERIES 4.3L, 5.0L, 5.7L, 6.2L EXHAUST PIPE; TAIL PIPE</p>		
	<p>TH991B</p> <p>1 528882 2 8112 3 4 5 6 BR92204</p>  <p>1982-93 S10 - 1.9L, 2.0L, 2.2L, 2.5L, 2.8L, 4.3L 1985-90 ASTRO 2.5L(151); 1985-91 ASTRO 4.3L(262) 2ND PIPE; 3RD. PIPE</p> <p>TPH101B</p> <p>1 2 339985 3 H1074 4 5 35003/35024 6 BR855</p>  <p>1975-80 LUV 110 (1.8L) EXHAUST PIPE-1ST. PIPE</p>		

CHEVROLET TRUCK continued		CHEVROLET TRUCK continued	
<p>TPH1266B</p> <p>1 528881 2 8113 3 TH990 4 5 35940 6 BR92007</p>  <p>5/16" x 7/8" SLOTTED HOLE</p> <p>5/16" HOLE</p> <p>2"</p> <p>1982-91 ST BLAZER & PICKUP 2.5L, 2.8L, 4.3L; 1990-91 ASTRO MINI VAN EXHAUST PIPE; MUFFLER</p>	<p>TPH1274B</p> <p>1 2 3 4 F2343 5 6 BR92021</p>  <p>9/16" HOLE</p> <p>4-1/2"</p> <p>1990-92 P SERIES 4.3L, 5.7L, 7.4L MIDDLE PIPE</p>		
<p>TPH1268B</p> <p>1 2 3 4 F2265 5 6 BR92008</p>  <p>2"</p> <p>2-7/8"</p> <p>1986-88 P SERIES 6.2L MUFFLER-UPPER</p>	<p>TPH1326B</p> <p>1 2 8111 3 4 5 6 BR92205</p>  <p>4-1/8"</p> <p>1-1/16"</p> <p>11/32" BOLT HOLES</p> <p>1985-90 ASTRO 2.5L(151); 1985-91 ASTRO 4.3L(262) CONNECTOR PIPE; MUFFLER-REAR</p>		
<p>TPH1270B</p> <p>1 2 3 4 F2266 5 6 BR92009</p>  <p>1-1/4"</p> <p>3-9/16"</p> <p>1987-90 SUBURBAN 4WD 5.7L MUFFLER-LOWER</p>	<p>TPH180B</p> <p>1 523462 2 8557 3 TH498 4 F1526 5 35661 6 BR124</p>  <p>3-1/4"</p> <p>5/16" HOLES</p> <p>1982-91 BLAZER 6.2L(379ci); 1973 EL CAMINO 307, 350, 402, 454 TAIL PIPE</p>		
<p>TPH1272B</p> <p>1 2 3 4 F2267 5 6 BR92010</p>  <p>4-3/4"</p> <p>1986-90 ASTRO MINI VAN 2.5L CONVERTER-LOWER</p>	<p>TPH189B</p> <p>1 2 3 4 5 6 BR691</p>  <p>USE WITH TPH160</p> <p>1963-68 VARIOUS TRUCKS MUFFLER</p>		

BRACKETS

OEM TYPE BRACKETS AND HANGERS

CHEVROLET TRUCK continued		CHEVROLET TRUCK continued	
<p>TPH190B</p> <p>1 523928 2 8215 3 H1256 4 F1897 5 35358 6 BR318</p>  <p>1985-90 ASTRO 2.5L, 4.3L; 1983-91 S10, PICKUP 4WD 1.9L, 2.8L, 4.3L; 1982-91 SUBURBAN, 1982-87 C & R 10, 6.2L W/ DUAL EXHAUST; 1982-84 G10 250, 305, 350, 400 MUFFLER; TAIL PIPE</p>	<p>TPH209B</p> <p>1 528957 2 9962 3 H1259 4 F1990 5 35090 6 BR378</p>  <p>1983-91 S10 PICKUP 2WD 119, 121, 137 (2.2L DIESEL), 151, 173; 1992 S10 BLAZER; 1987-91 BLAZER 4WD 350; 1987-92 SUBURBAN 350, 379; 1975-78 250, 350; 1988-92 C & R 10 SERIES PICKUP 262, 305, 350, 379, 454; 1987-90 G10 SERIES 350; 1984-91 C20 PICKUP, SUBURBAN 350, 379 TAIL PIPE</p>		
<p>TPH195B</p> <p>1 528702 2 8494 3 TH751 4 F1628 5 35181 6 BR267</p>  <p>ALSO SEE TPH193B, TPH201B, TPH227B</p> <p>1975-77 EL CAMINO, CABALLERO 250, 305, 350, 400 MUFFLER</p>	<p>TPH210B</p> <p>1 528758 2 9950 3 H1094 4 F1942 5 35045 6 BR202C</p>  <p>1982-91 S10, PICKUP 119(2.0L), 121, 151, 173, 262; 1979-82 BLAZER 250, 305, 350; 1973-76 307, 350; 1977-87 SUBURBAN 250, 305, 350, 379, 454; 1973 307; 1978-84 C10 SERIES 250, 305, 350L-Z; 1973-74 250, 292, 350; 1982-87 C, R 20 SERIES 379(6.2L) MUFFLER-FRONT</p>		
<p>TPH197B</p> <p>1 528911 2 8566 3 TH991 4 F1683 5 6 BR683</p>  <p>ALSO SEE TH991B</p> <p>1988-91 S10 4WD 173, 262; 1983-88 S10 4WD 119, 121, 151, 173; 1982-90 G10 & 1500 SERIES, G20 & 2500 SERIES, G30 & 3500 SERIES 250, 262, 305, 350K; 1977-78 292 TAIL PIPE</p>	<p>TPH232B</p> <p>1 2 3 4 5 6 BR675</p>  <p>ALSO SEE TPH793B & TPH220B</p> <p>1985-90 ASTRO 151, 262; 1983-91 S10, PICKUP 119, 121, 151; 1983-87 137(2.2 DIESEL), 173 MUFFLER-REAR</p>		
<p>TPH201B</p> <p>1 523467 2 8498 3 H1161 4 F1629 5 35662 6 BR261</p>  <p>1975-77 EL CAMINO, SPRINT, CABALLERO 250, 305, 350, 400 MUFFLER</p>	<p>TPH240B</p> <p>1 528907 2 8170 3 TH1016 4 5 6 BR91915</p>  <p>ALSO SEE TPH367B</p> <p>1988-93 C10, C20, C30 350K(5.7L), 379(6.2L); 1990 454(7.4L); 1990-93 262(4.3L); 1988-93 K10, K20, K30 350K(5.7L), 379(6.2L); 1990-92 262(4.3L); 1988-91 R10, R20, R30 350K(5.7L), 379(6.2L); 1988-91 V30 350K(5.7L), 379(6.2L) MUFFLER-DUAL OUTLET</p>		

CHEVROLET TRUCK continued	CHEVROLET TRUCK continued
<p>TPH929B</p> <p>1 528917 2 8212 3 TH929 4 5 35566 6 BR91900</p>  <p>1980-87 C & K BLAZER, JIMMY, PICKUP SUBURBAN 305, 350 TAIL PIPE-DUAL OUTLET LEFT</p>	<p>TPH207B</p> <p>1 528205 2 8598 3 TH859 4 F1963 5 35948 6 BR328</p>  <p>1978-81 EL CAMINO, CABALLERO 200, 231, 305, 350; 1979 267 MUFFLER-DUAL OUTLET; MUFFLER-SINGLE OUTLET</p>
<p>TPH1000B</p> <p>1 529107 2 3 4 5 36125 6 BR92108</p> <p>ALSO SEE TPH1327B</p>  <p>1995 S10, S15 BLAZER 4.3L MUFFLER</p>	<p>TPH208B</p> <p>1 528902 2 8599 3 TH860 4 F1934 5 35464 6 BR331</p>  <p>1978-81 EL CAMINO, CABALLERO 200, 231, 267, 305, 350; 1980-81 305 (DUAL OUTLET ONLY) MUFFLER-DUAL OUTLET; MUFFLER-SINGLE OUTLET</p>
<p>TPH1327B</p> <p>1 2 3 4 5 36163 6 BR92222</p> <p>ALSO SEE TPH1000B</p>  <p>1995-97 4.3L S10 BLAZER MUFFLER</p>	<p>TPH214B</p> <p>1 527067 2 8247 3 TH886 4 F1943 5 35546 6 BR723</p>  <p>1980-84 EL CAMINO, CABALLERO, 231, 350L-N-6-8; 1980-81 229, 267, 305 MUFFLER-LEFT</p>
<p>TPH160B</p> <p>1 528201 2 8445 3 TH410 4 5 35897/35745 6 BR349</p>  <p>1963-69 40, 50, 60, 80 SERIES 307, 327, 366; 1979-90 C60 366, 427; 1973-74 50, 60 SERIES 350, 366 MUFFLER</p>	<p>TPH217B</p> <p>1 527068 2 8246 3 TH900 4 F1987 5 35464 6 BR740</p>  <p>1980-84 EL CAMINO, CABALLERO 231, 350N; 1980-81 229, 267, 305 TAIL PIPE-DUAL OUTLET RIGHT; TAIL PIPE</p>

BRACKETS

OEM TYPE BRACKETS AND HANGERS

CHEVROLET TRUCK continued

CHEVROLET TRUCK continued

TPH1315B

- 1
- 2
- 3
- 4
- 5
- 6 BR92051



1986-87 BLAZER C, R SERIES,
SUBURBAN 5.0L, 5.7L;
1990-92 P SERIES 3.9L, 6.2L
2ND PIPE; MUFFLER

TPH793B

- 1 529558
- 2 8223
- 3 TH921
- 4 F2105
- 5 35462
- 6 BR793

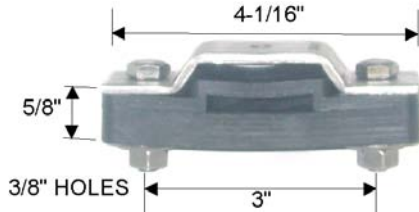
ALSO SEE
TPH220B
& TPH232B



1985-90 ASTRO, SAFARI 151, 262;
1983-91 S10, S15 PICKUP 119, 121, 151;
1983-87 137(2.2 DIESEL), 173
EXHAUST PIPE-2ND PIPE

TPH191LB

- 1 528703
- 2 8241
- 3 TH824
- 4 F1482
- 5 35705
- 6 BR359



1973-79 BLAZER 250, 305, 307, 350, 400;
1973-79 SUBURBAN 250, 307, 350; 1973-75 C,G & R
10 SERIES 250, 292, 307, 350;
1975-90 G10 262, 305,350;
1973-88 C & G20 250, 292, 250, 307, 350, 454
MUFFLER; TAIL PIPE

FEH552

- 1 528954
- 2 8511
- 3 TH826
- 4 F1914
- 5 35353
- 6 BR552



1982-83 LUV 111 (1817cc)
EXHAUST PIPE-1ST. PIPE; TAIL PIPE

TPH227B

- 1
- 2
- 3
- 4
- 5
- 6 BR316



COMBINATION
TPH201B
TPH195B
TPH193B

1975-77 EL CAMINO, CABALLERO 250, 305, 350, 400
MUFFLER; TAIL PIPE

TH1066B

- 1 529042
- 2
- 3 TH1066
- 4 F2347
- 5
- 6 BR92062



1992 ST BLAZER & PICKUP 2.5L, 2.8L, 4.3L
2ND PIPE; 3RD. PIPE

TPH31B

- 1 525109
- 2 8438
- 3 TH486
- 4 F1525
- 5 35525
- 6 BR130



1973-74 EL CAMINO, SPRINT 307, 350H-J-K-T, 454;
1976-90 G10 & 1500 SERIES 250, 262, 305, 350, 400;
1979-90 G20 & 2500 SERIES 250, 262, 305, 350, 379;
1975-90 G30 & 3500 SERIES 262, 350, 379
MUFFLER

TH1068B

- 1 529044
- 2 8066
- 3 TH1068
- 4 F2287
- 5
- 6 BR91988



1990-92 BLAZER, C, G, K, R V SERIES, SUBURBAN,
YUKON 4.3L, 5.0L, 5.7L, 6.2L, 6.5L, 7.4L
EXHAUST PIPE; CONVERTER; MUFFLER

CHEVROLET TRUCK continued	CHEVROLET TRUCK continued
<p>TPH1013B</p> <p>1 529119 2 3 TH1126 4 F2358 5 6 BR92154</p>  <p>1/2" HOLES METAL INSERT</p> <p>1992-94 ASTRO MINI VAN 4.3L; 1993-94 C & K 1500 SERIES 4.3L. 5.0L. 5.7L EXHAUST PIPE; MUFFLER</p>	<p>FW202</p> <p>1 2 3 4 F2274 5 6 BR92002</p>  <p>1/2" ROD</p> <p>1990-92 C, K SERIES 5.7L. 6.2L. 6.5L. 7.4L EXHAUST PIPE; MUFFLER; CONVERTER</p>
<p>TPH1260B</p> <p>1 2 3 4 F2275 5 6 BR91997</p>  <p>1989-91 SUBURBAN 5.7L MUFFLER-UPPER</p>	<p>FW204</p> <p>1 2 3 4 F2273 5 6 BR92003</p>  <p>1/2" ROD</p> <p>1990-92 C20, K20 SERIES 7.4L EXHAUST PIPE; CONVERTER</p>
<p>TPH193B</p> <p>1 528761 2 8493 3 TH748 4 F1630 5 35046 6 BR268</p> <p>ALSO SEE , TPH201B, TPH195B, THP227B,</p>  <p>1-3/8" 1-7/8" 1-7/16"</p> <p>1975-77 EL CAMINO. CABALLERO 250. 305. 350. 400 MUFFLER</p>	<p>FW206</p> <p>1 2 3 4 F2293 5 6 BR92022</p>  <p>3/8" HOLES</p> <p>1991-92 G SERIES VAN 4.3L. 6.2L. 7.4L MUFFLER</p>
<p>TPH220B</p> <p>1 529558 2 8223 3 TH921 4 F2105 5 35462 6 BR674</p>  <p>ALSO SEE TPH793B & TPH232B</p> <p>1985-90 ASTRO, SAFARI 151, 262; 1983-91 S10, S15 PICKUP 119, 121, 151; 1983-87 137(2.2 DIESEL). 173 MUFFLER-REAR</p>	<p>FW900</p> <p>1 2 3 4 F2311 5 6 BR92182</p>  <p>1/2" ROD</p> <p>1992-93 C, K2500, C, K3500 PICKUP 395(F)6.5L; 1990-95 C, K2500, C, K3500 PICKUP 454(N)7.4L MUFFLER; EXHAUST PIPE-2ND PIPE</p>

BRACKETS

OEM TYPE BRACKETS AND HANGERS

CHEVROLET TRUCK continued

CHRYSLER

FW916

- 1 529037
- 2
- 3 TH1112
- 4
- 5 35236
- 6 BR91974



1991 G10, G20, G30 4.3L, 5.7L:
TAIL PIPE

FEH650-1

- 1 522503
- 2 8219
- 3 H1241
- 4 F2164
- 5
- 6 BR791



1981-90 CHARGER, HORIZON, OMNI, TC3 98 (1.6L),
135 (2.2L)
TAIL PIPE-FRONT

TH1060B

- 1 529036
- 2 8015
- 3 TH969
- 4
- 5 35715
- 6 BR91958



1985-91 ASTRO MINI VAN 2.5L, 4.3L
CONVERTER; MIDDLE PIPE

FEH650-F

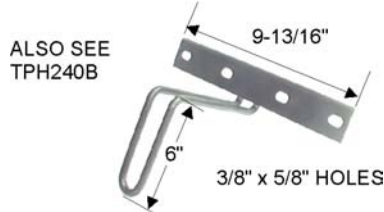
- 1
- 2 8596
- 3 H1242
- 4 F1961
- 5 35561
- 6 BR650



1978-83 HORIZON, OMNI, TC3 98 (1.6L), 105 (1.7L)
EXHAUST PIPE-3RD. PIPE

TPH367B

- 1
- 2 8322
- 3
- 4 F2426
- 5 35287
- 6 BR92099



1988-93 C10, C20, C30 350K(5.7L), 379(6.2L); 1990
454(7.4L); 1990-93 262(4.3L); 1988-93 K10, K20, K30
350K(5.7L), 379(6.2L); 1990-92 262(4.3L); 1988-91
R10, R20, R30 350K(5.7L), 379(6.2L); 1988-91 V30
350K(5.7L), 379 (6.2L); 1990-92 262(4.3L)
MUFFLER-DUAL OUTLET

TPH377B

- 1 529290
- 2 8218
- 3 H1267
- 4 F1985
- 5
- 6 BR722



1983-85 600, CARAVELLE, DAYTONA, E-CLASS,
LANCER, LASER 135 (2.2L Exc. TURBO);
1981-85 400, ARIES, LEBARON, RELIANT, TOWN &
COUNTRY 135 (2.2L), 156 (2.6L)
TAIL PIPE-FRONT

FEH651

- 1
- 2
- 3
- 4
- 5
- 6




1982-85 400, 600, ARIES, DAYTONA, E-CLASS, FULL
SIZE, LANCER, LASER, LEBARON 4 CYL.
EXHAUST PIPE

CHRYSLER continued **CHRYSLER continued**

FEH652

- 1 522502
- 2 8227
- 3 TH915
- 4 F1960
- 5 35562
- 6 BR430



USED WITH
3/8" MUFFLER
CLAMP

1984-85 DAYTONA, LANCER 1.5 (Exc. TURBO);
1983-85 400, 600, E-CLASS, LASER, LEBARON, NEW
YORKER 135, 156 (Exc. 1985 2BBL);
1983-90 HORIZON, OMNI 98,135 (Exc. TURBO);
1980-83 105, 1981-83 135; 1981-85 ARIES, RELIANT
135, 156
MUFFLER

TPH984B

ALSO SEE TPH377B, TPH984K

- 1 529087
- 2
- 3 H1281
- 4
- 5 35741
- 6 BR449




4-1/4"
1-1/8"
7/16" X 15/16"
HOLES

1983-85 ARIES 400, CARAVELLE, DAYTONA, E-
CLASS, LANCER, LASER, LEBARON, NEW
YORKER, RELIANT 135; 1982 ARIES 400, LEBARON
135, 156 ; 1984-86 ARIES 600 135, 156; 1981-82
ARIES 400 135; 1978-90 CHARGER, HORIZON,
OMNI, RELIANT TC3 98 . 105 . 135
EXHAUST PIPE-3RD. PIPE

TPH1280B

- 1
- 2
- 3
- 4
- 5
- 6 BR91945




2-7/16"
5-3/8"

CHRYSLER, DODGE, PLYMOUTH
MUFFLER

FEH396

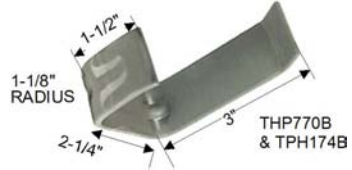
- 1 527071
- 2 8231
- 3 TH884
- 4 F1971
- 5 35551
- 6 BR808



1985-87 CHAMP, COLT 90 (1.4L);
1979-84 1400cc. 1600cc
TAIL PIPE-FRONT

TPH210B

- 1 528758
- 2 9950
- 3 H1094
- 4 F1942
- 5 35045
- 6 BR202C

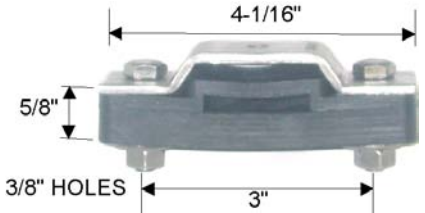


1-1/2"
1-1/8" RADIUS
2-1/4"
3" THP770B & TPH174B

1977-89 ASPEN, CORDOBA, DIPLOMAT, GRAN
FURY, LEBARON, MAGNUM, MIRADA, NEW
YORKER, ST.REGIS 225, 318
TAIL PIPE

TPH191LB

- 1 528703
- 2 8241
- 3 TH824
- 4 F1482
- 5 35705
- 6 BR359




4-1/16"
5/8"
3/8" HOLES
3"

1977-83 ASPEN, CORDOBA, IMPERIAL, LEBARON
VOLARE, 225, 318;
1981-89 DIPLOMAT, FIFTH AVENUE, GRAN FURY,
MIRADA, NEW YORKER 225, 318
TAIL PIPE-FRONT

TPH770B

- 1 528760
- 2 8503
- 3 TH759
- 4 F1775
- 5 35039
- 6 BR347




3-9/16"
7/8"
2-1/2" RADIUS
1-11/16"
1-7/8"

1974-78 CHARGER, CORDOBA, CORONET, FURY,
IMPERIAL, MAGNUM, NEWPORT, NEW YORKER,
MONACO, ST. REGIS 225, 318, 360, 400, 440;
1986-89 DIPLOMAT, FIFTH AVENUE, GRAND FURY
318
TAILPIPE-REAR; TAIL PIPE-FRONT

FEH353

- 1 528602
- 2 8588
- 3 H1240
- 4 F1912
- 5 35096
- 6 BR353



3-15/32" ALSO SEE
FEH403

1982-84 E-CLASS, LEBARON, NEW YORKER 135
(2.2L), 153 (2.5L), 156 (2.6L); 1978-90 HORIZON,
OMNI, TC3 97 (1.6L), 105 (1.7L), 135 (2.2L); 1981-84
400, 600, ARIES, CARAVELLE, RELIANT 1.5 (2.2L),
156 (2.6L)
MUFFLER-REAR; TAIL PIPE

BRACKETS

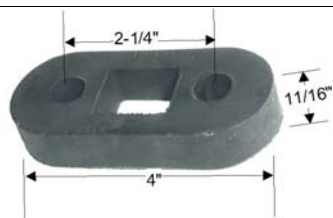
OEM TYPE BRACKETS AND HANGERS

CHRYSLER continued

CHRYSLER continued

FEH354

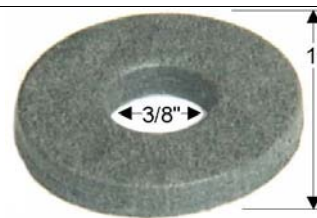
- 1 522500
- 2 8581
- 3 H1029
- 4 F1913
- 5 35037
- 6 BR354



1982-93 ACCLAIM, DAYTONA, DYNASTY, E-CLASS, FIFTH AVENUE, IMPERIAL, LASER, LANCER, LEBARON, NEW YORKER, SHADOW, SPIRIT, SUNDANCE 135,153,181, 201, 1978-90 400, 600, CHARGER, HORIZON, OMNI, RELIANT, TC3 98,105, 135, 153, 156
MIDDLE PIPE

TH1013B

- 1 528904
- 2
- 3 TH1013
- 4
- 5 35013
- 6 BR92061



1978-79 ARROW, COLT 1.6L
MUFFLER

FEH403

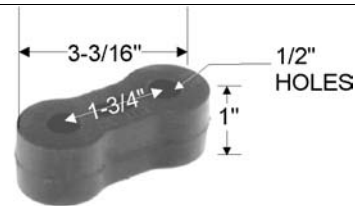
- 1 529088
- 2 8195
- 3 TH1091
- 4 F2170
- 5 35706
- 6 BR840



1984-93 400, 600, ACCLAIM, ARIES, CARAVELLE, CHARGER, DAYTONA, DYNASTY, E-CLASS, EXECUTIVE, FIFTH AVENUE, IMPERIAL, LANCER, LASER, LEBARON, LIMOUSINE, NEW YORKER, RELIANT, SALON, SHADOW, SPIRIT, SUNDANCE, TOWN & COUNTRY 135, 153, 156, 181, 201, 230
MUFFLER-REAR

TPH1006B

- 1
- 2
- 3
- 4
- 5
- 6 BR92140



1989-90 2000GTX 2.0L
EXHAUST PIPE; MUFFLER

FEH908

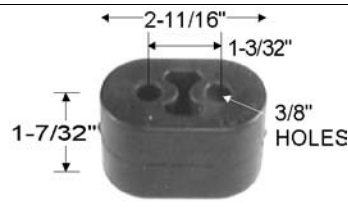
- 1 528956
- 2 8287
- 3 TH908
- 4 F1780
- 5 35460
- 6 BR400



1979-93 CHAMP, COLT, VISTA 4WD 1.4L, 1.5L, 1.6L, 2.0L; 1990-93 LASER 1.8L, 2.0L; 1989-92 SUMMIT, TALON 1.5L, 1.6L
MUFFLER

TPH1007B

- 1
- 2
- 3
- 4
- 5
- 6 BR92143



1993-96 CONCORDE, INTREPID 3.3L, 3.5L; 1994-96 LHS, NEW YORKER 3.5L
1ST. MUFFLER; 2ND MUFFLER; 3RD. PIPE

TH1007B

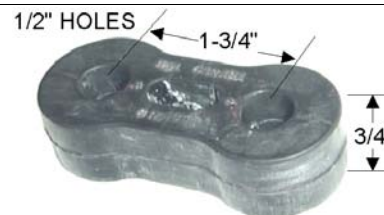
- 1 528893
- 2 8139
- 3 TH1007
- 4 F2212
- 5 35951
- 6 BR91987






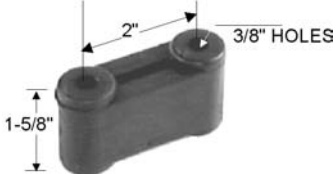
1991-92 STEALTH 3.0L
EXHAUST PIPE; CONVERTER; MUFFLER

TPH1282B

- 1
- 2
- 3
- 4 F2312
- 5
- 6 BR91986



1990-92 POWER RAM, RAM 50 2.4L, 3.0L
EXHAUST PIPE; CONVERTER

CHRYSLER continued	DATSUN
<p>TPH1284B</p> <p>1 528967 2 8209 3 TH975 4 5 35461 6 BR92025</p>  <p>1986-89 CARAVELLE, DIPLOMAT, FIFTH AVENUE, GRAND FURY, NEWPORT 5.2L; 1979-83 CORDOBA,, FIFTH AVENUE, NEWPORT, NEW YORKER 225, 318; 1977-82 ASPEN, DIPLOMAT, GRAND FURY, LEBARON, MAGNUM, MIRADA, ST REGIS 225, 318, 360 TAIL PIPE</p>	<p>FEH304</p> <p>1 2 3 4 5 6</p>  <p>1968-73 1200-510</p>
<p>TPH772B</p> <p>1 528762 2 8570 3 TH838 4 F1999 5 35127 6 BR660</p>  <p>1974-78 ASPEN, CHARGER, CORDOBA, CORONET, DART, DIPLOMAT, DUSTER, FURY, GRAND FURY, LEBARON, MIRADA, MONACO, NEWPORT, NEW YORKER, ROAR RUNNER, SALON, SCAMP, VALIANT, VOLARE 225. 318. 360. 400. 440 TAIL PIPE-DUAL; TAIL PIPE-SINGLE</p>	
<p>TPH999B</p> <p>1 529105 2 3 TH1116 4 F2382 5 6 BR92014</p>  <p>1995-96 NEON 2.0L (1996cc) EXHAUST PIPE; MUFFLER-FRONT & REAR</p>	

BRACKETS

OEM TYPE BRACKETS AND HANGERS

DODGE TRUCK

DODGE TRUCK continued

TPH377B

- 1 529290
- 2 8218
- 3 H1267
- 4 F1985
- 5
- 6 BR722

ALSO SEE
KIT TPH984K

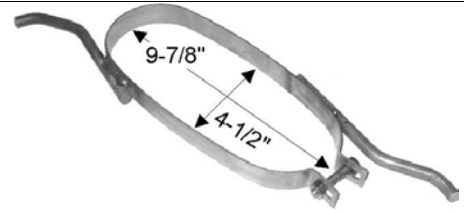


FITS 1-7/8" PIPE

1982-84 RAMPAGE. SCAMP 135 (2.2L)
TAIL PIPE-FRONT

TPH1023B

- 1
- 2
- 3
- 4
- 5 36234
- 6 BR92208



1996-97 CARAVAN, GRAND CARAVAN, TOWN &
COUNTRY, RAM VAN, VOYAGER, GRAND VOYAGER
3.0L. 3.3L. 3.8L
MUFFLER

FEH651

- 1
- 2
- 3
- 4
- 5
- 6



1982-84 RAMPAGE. SCAMP 4 CYL.
EXHAUST PIPE-2ND PIPE; MUFFLER-FRONT

TPH1156B

- 1 529095
- 2
- 3 TH1097
- 4
- 5 35917
- 6 BR92036



ALSO SEE TPH1317B

1987 CARAVAN, RAM VAN, TOWN & COUNTRY,
VOYAGER 2.6L; 1987-90 CARAVAN, RAM VAN, TOWN
& COUNTRY. VOYAGER 2.5L. 3.0L. 3.3L
MUFFLER

FEH652

- 1 522502
- 2 8227
- 3 TH915
- 4 F1960
- 5 35562
- 6 BR430

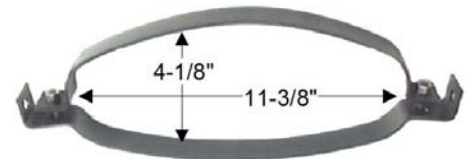


USED WITH
3/8" MUFFLER
CLAMP

1982-84 RAMPAGE. SCAMP 135 (2.2L)
EXHAUST PIPE-2ND PIPE; MUFFLER-FRONT

TPH1317B

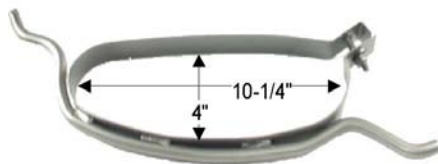
- 1
- 2 8067
- 3
- 4
- 5
- 6 BR92069



1991-92 CARAVAN, TOWN & COUNTRY, VOYAGER
2.5L. 3.0L. 3.3L
MUFFLER

TPH1015B

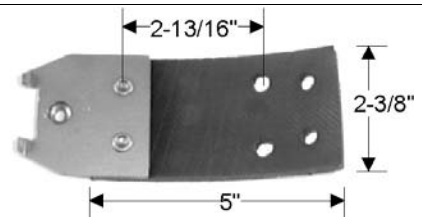
- 1
- 2
- 3
- 4
- 5
- 6 BR92162



1996 CARAVAN, GRAND CARAVAN, VOYAGER,
GRAND VOYAGER, TOWN & COUNTRY 2.4L, 3.0L,
3.3L. 3.8L
MUFFLER

TPH1033B

- 1
- 2
- 3
- 4
- 5
- 6 BR92157



1987-92 D100-300, W100-300, RAMCHARGER 3.7L,
3.9L. 5.2L. 5.9L
3RD. PIPE

DODGE TRUCK continued **DODGE TRUCK continued**

FEH908

- 1 528956
- 2 8287
- 3 TH908
- 4 F1780
- 5 35460
- 6 BR400



1990-92 ARROW, D50, RAM 50 2.4L, 3.0L
1987-90 VAN 2.4L:
MUFFLER

TPH1014B

- 1
- 2 8058
- 3
- 4 F2383
- 5
- 6 BR92155



1992-96 B100 - B350 VANS 3.9L, 5.2L, 5.9L; 1992-93
D150-250, W150-250, RAMCHARGER 3.9L, 5.2L;
1994-96 DAKOTA 2.5L, 3.9L, 5.2L; 1994-96 RAM 1500,
2500, 3500 PICK UP 3.9L, 5.2L, 8.0L
2ND PIPE; MUFFLER; CONVERTER

TH1007B

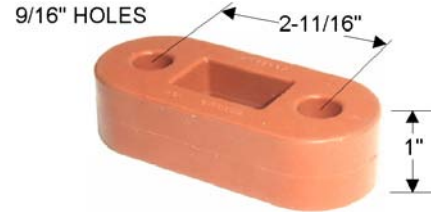
- 1 528893
- 2 8139
- 3 TH1007
- 4 F2212
- 5 35951
- 6 BR91987



1987-92 POWER RAM, RAM 50 2.0L, 2.4L, 2.6L, 3.0L
EXHAUST PIPE; CONVERTER; MUFFLER

TPH1316B

- 1
- 2 8068
- 3
- 4
- 5
- 6 BR92057



1990-94 CARAVAN, TOWN & COUNTRY,
VOYAGER 2.5L, 3.0L, 3.3L, 3.8L;
1987-89 MINI RAM 2.2L, 2.5L, 3.0L
2ND PIPE; 3RD. PIPE; MIDDLE PIPE

TH1026B

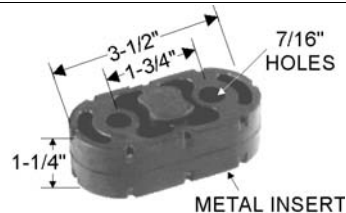
- 1 528931
- 2 8095
- 3 TH1026
- 4 F2217
- 5
- 6 BR91961



1986-92 DAKOTA 2.2L, 3.9L, 5.2L;
1988-92 B, D, W SERIES 3.9L, 5.2L, 5.9L;
1992 RAMCHARGER 5.2L
MIDDLE PIPE

TPH1009B

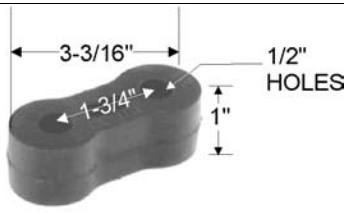

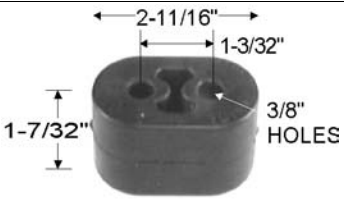
- 1
- 2
- 3
- 4
- 5
- 6 BR92148


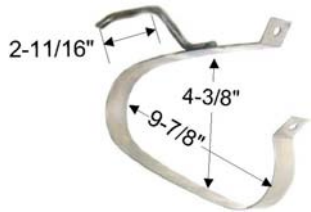


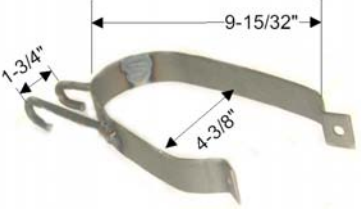
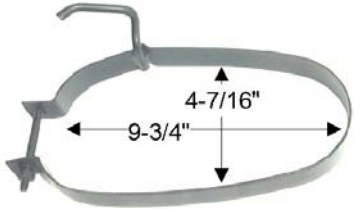
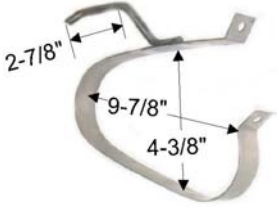



1996 CARAVAN, GRAND CARAVEN, VOYAGER,
GRAND VOYAGER, TOWN & COUNTRY
2.4L, 3.0L, 3.3L, 3.8L
EXHAUST PIPE

BRACKETS

OEM TYPE BRACKETS AND HANGERS

EAGLE	FIAT
<p>TPH1006B</p> <p>1 2 3 4 5 6 BR92140</p>  <p>1991-92 2000 2.0L, 1989-92 SUMMIT 1.5L, 1.6L MUFFLER; EXHAUST PIPE</p>	<p>FEH342</p> <p>1 528281 2 8525 3 TH831 4 F1795 5 35107 6 BR577</p>  <p>1971-83 124 SPIDER, SPIDER 2000 88 (1.4L), 98 (1.6L), 107 (1.8L), 122 (2.0L); 1974-79 128 COUPE, SEDAN, STATION WAGON 79 (1.3L) TAIL PIPE; MUFFLER</p>
<p>TPH1007B</p> <p>1 2 3 4 5 6 BR92143</p>  <p>1993-96 VISION 3.3L, 3.5L 1ST. MUFFLER; 2ND MUFFLER; 3RD. PIPE</p>	

FORD	FORD continued
<p>TPH1292B</p> <p>1 2 3 4 F2286 5 6 BR91999</p>  <p>1991-92 CONTINENTAL, SABLE, TAURUS POLICE 3.8L: EXHAUST PIPE; MIDDLE PIPE; MUFFLER</p>	<p>TPH1330B</p> <p>1 2 8158 3 4 5 6 BR92230</p>  <p>1988-95 TAURUS SEDAN 3.0L. 3.8L MUFFLER</p>
<p>TH1084B</p> <p>1 528897 2 8213 3 TH1010 4 F2194 5 35502 6 BR92018</p>  <p>1987-92 BRONCO 4.9L, 1984-86 5.0L; 1983-91 5.8L MUFFLER</p>	<p>TPH361B</p> <p>1 529005 2 3 TH882 4 5 35564 6 BR823</p>  <p>1980-86 ESCORT, EXP, LYNX, LN7 98(1.6L), 1983-86 LTD II, MARQUIS 140(2.3L); 1980-86 CROWN VICTORIA, GRAND MARQUIS 302(5.0L), 351(5.8L); 1982-86 TOWNCAR 302(5.0L) HEAT SHIELD STRAP</p>
<p>TPH1298B</p> <p>1 2 3 4 5 35162 6 BR92012</p>  <p>1984-86 F SERIES MUFFLER</p>	<p>TPH868B</p> <p>1 528926 2 8158 3 TH1021 4 F2191 5 35511 6 BR91962</p>  <p>1986-91 SABLE, TAURUS 2.5L. 3.0L. 3.8L MUFFLER</p>
<p>TPH1329B</p> <p>1 2 8157 3 4 5 6 BR92229</p>  <p>1988-95 TAURUS STATION WAGON 3.0L. 3.8L MUFFLER</p>	<p>TH989B</p> <p>1 528888 2 8132 3 TH989 4 5 35779 6 BR91964</p>  <p>1986-88 COUGAR, THUNDERBIRD 2.3L, 5.0L; 1986 CONTINENTAL: 1986-92 MARK VII 5.0L MUFFLER-RIGHT</p>

BRACKETS

OEM TYPE BRACKETS AND HANGERS

FORD continued

FORD continued

TPH1166B

- 1
- 2 8131
- 3
- 4 F2276
- 5 35645
- 6 BR91963



1980-91 COLONY PARK, CROWN VICTORIA,
GRAND MARQUIS, LTD 5.0L, 5.8L;
1982-89 TOWN CAR 5.0L
MUFFLER-LEFT; TAIL PIPE

TPH344B

- 1 525585
- 2 8596
- 3 TH870
- 4 F1928
- 5 35382
- 6 BR368



1979-82 CAPRI, COUGAR, FAIRMONT, GRANADA,
MUSTANG, ZEPHYR 140, 200, 255, 302
MUFFLER-REAR

TPH1319B

- 1
- 2 8221
- 3
- 4
- 5 35726
- 6 BR868



1990-91 CROWN VICTORIA POLICE 351 (5.8L);
1980-89 GRAND MARQUIS, LTD, MARQUIS 255
(4.2L), 302 (5.0L), 351 (5.8L); 1987-88 COUGAR,
THUNDERBIRD 140 (2.3L), 232 (3.8L)
TAIL PIPE-SINGLE; TAIL PIPE-DUAL

TPH460B

- 1 528910
- 2 8572
- 3 TH743
- 4 F1712
- 5
- 6 BR383



1975-77 BRONCO 302; 1975-86 E100, E150, E250,
E350 240 (3.9L), 300 (4.9L);
1975-78 F100, F150, F250 300 (4.9L)
TAIL PIPE-FRONT

TPH341B

- 1 527061
- 2 8238
- 3 TH867
- 4 F1925
- 5 35380
- 6 BR365



1979-89 CROWN VICTORIA, LTD, MARK IV, GRAND
MARQUIS, TOWN CAR 255, 302, 351
MUFFLER-REAR; MUFFLER-DUAL RIGHT

TPH1294B

- 1
- 2
- 3
- 4 F2284
- 5
- 6 BR92004



1992-93 CROWN VICTORIA, GRAND MARQUIS,
LINCOLN TOWN CAR 4.6L,
1990 LINCOLN TOWN CAR 5.0L
MUFFLER-DUAL RIGHT; MUFFLER-SINGLE

TPH343B

- 1 523472
- 2 8587
- 3 TH869
- 4 F1922
- 5 35379
- 6 BR367







1979-82 CAPRI, COUGAR, FAIRMONT, GRANADA,
MUSTANG, ZEPHYR 140, 200, 255, 302
TAILPIPE-REAR

TPH1296B

- 1
- 2
- 3
- 4 F2285
- 5
- 6 BR92005



1992-97 CROWN VICTORIA, GRAND MARQUIS,
LINCOLN TOWN CAR 4.6L,
1990 LINCOLN TOWN CAR 5.0L
MUFFLER-DUAL-LEFT; MUFFLER-SINGLE

FORD continued	FORD continued
<p>FEH1187</p> <ol style="list-style-type: none"> 1 528923 2 8092 3 TH1018 4 5 35286 6 BR91978  <p>1990-91 LTD, GRAND MARQUIS, TOWN CAR; TAURUS, SABLE 4.6L, 5.0L TAIL PIPE; MUFFLER</p>	<p>TH1018B</p> <ol style="list-style-type: none"> 1 528923 2 3 TH1018 4 F2209 5 6 BR91989  <p>1989-92 PROBE 2.2L, 3.0; 1992 CROWN VICTORIA, GRAND MARQUIS, LINCOLN TOWN CAR 4.6L; 1990 LINCOLN TOWN CAR 5.0L EXHAUST PIPE; MUFFLER; CONVERTER</p>
<p>FEH376</p> <ol style="list-style-type: none"> 1 528705 2 8262 3 H1206 4 F1910 5 35091 6 BR555  <p>1978-80 FIESTA 98 (1.6L); 1985-89 SCORPIO, XR4Ti 140 (2.3L), 177 (2.9L) ALSO SEE BR836, BR837 & BR838 MUFFLER; TAIL PIPE</p>	<p>TPH1170B</p> <ol style="list-style-type: none"> 1 2 3 4 5 35637 6 BR91960  <p>1989-91 COUGAR, THUNDERBIRD EXHAUST PIPE; MUFFLER</p>
<p>FEH552</p> <ol style="list-style-type: none"> 1 528954 2 8511 3 TH826 4 F1914 5 35353 6 BR552  <p>1971-78 CAPRI 122 (2000cc), 140 (2300cc), 159 (2600cc), 171 (2800cc) MUFFLER-DUAL; TAIL PIPE; MUFFLER-SINGLE</p>	<p>TPH1286B</p> <ol style="list-style-type: none"> 1 2 3 4 F2292 5 6 BR91990  <p>1988-92 FESTIVA 1.3L EXHAUST PIPE</p>
<p>TH1002B</p> <ol style="list-style-type: none"> 1 528891 2 8197 3 TH1002 4 F2208 5 35638 6 BR91971  <p>1988-92 CONTINENTAL, SABLE, TAURUS 2.5L, 3.0L, 3.8L EXHAUST PIPE; MUFFLER</p>	<p>TPH1288B</p> <ol style="list-style-type: none"> 1 2 3 4 F2310 5 6 BR91991  <p>1986-92 RANGER 2.3L, 2.9L, 4.0L; 1990-92 AEROSTAR 4.0L, 1991-92 EXPLORER 4.0L, 1987-89 BRONCO, F250, F350, 4.9L CONVERTER</p>

BRACKETS

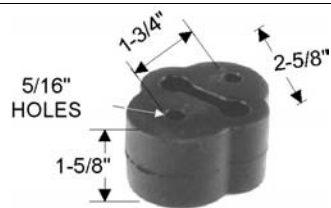
OEM TYPE BRACKETS AND HANGERS

FORD continued

FORD continued

TPH1320B

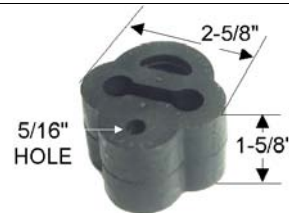
- 1
- 2
- 3
- 4
- 5
- 6 BR92139



1990-94 SABLE, TAURUS 3.0L, 3.2L, 3.8L;
1991-92 CONTINENTAL 3.8L
MUFFLER

TPH425B

- 1
- 2 8197
- 3
- 4 F2139
- 5 35212
- 6 BR425



1983-86 COUGAR, THUNDERBIRD 140 (2.3L), 232 (3.8L), 302 (5.0L); 1988-93 CONTINENTAL 232 (3.8L); 1983-90 ESCORT, EXP, LN7 98 (1.6L), 116 (1.9L), 122 (2.0L); 1986-93 TAURUS, SABLE 140 (2.3L), 153 (2.5L), 182 (3.0L), 232 (3.8L); 1984-93 TEMPO, TOPAZ 122 (2.0L), 140 (2.3L), 182 (3.0L)
CONNECTOR PIPE; TAILPIPE-REAR

TPH360B

- 1 528767
- 2 8198
- 3 H1264
- 4 F2134
- 5 13870
- 6 BR837



1983-92 1983-86 CAPRI, COUGAR, FAIRMONT, LTD, MARQUIS, MUSTANG, THUNDERBIRD, ZEPHYR 140 (2.3L), 200 (3.3L), 232 (3.8L), 302 (5.0L)
TAIL PIPE

TPH838B

- 1 528764
- 2 8262
- 3 TH937
- 4 F1910
- 5 35466
- 6 BR838



1978-80 FIESTA 98 (1.6L); 1981-86 CAPRI, COUGAR, GRANADA, LTD, MARQUIS, MUSTANG, THUNDERBIRD, ZEPHYR 140 (2.3L), 200 (3.3L), 232 (3.8L), 302 (5.0L); 1985-89 XR4Ti 140 (2.3L)
MUFFLER; TAIL PIPE

TPH362B

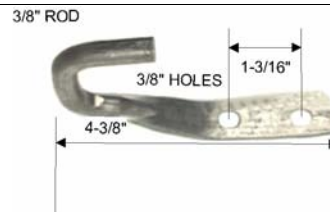
- 1 528920
- 2 8196
- 3 TH950
- 4 F2125
- 5
- 6 BR845



1983-93 CAPRI, MUSTANG 140 (2.3L), 302 (5.0L); 1989-93 COUGAR, THUNDERBIRD 232 (3.8L), 302 (5.0L); 1985-89 XR4Ti 140 (2.3L)
TAIL PIPE-SINGLE

FW114

- 1
- 2 8136
- 3
- 4 F2309
- 5
- 6 BR91984



1988-92 FESTIVA 1.3L
EXHAUST PIPE

TPH363B

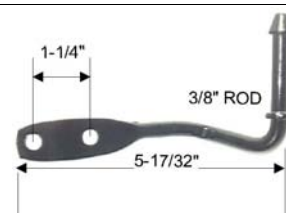
- 1 528767
- 2 8197/8236
- 3 H1266
- 4 F2187
- 5 35707
- 6 BR836



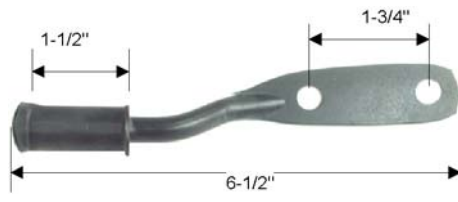
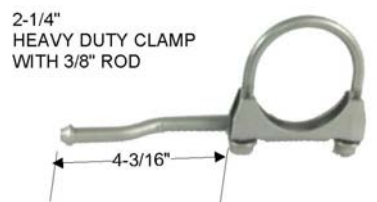


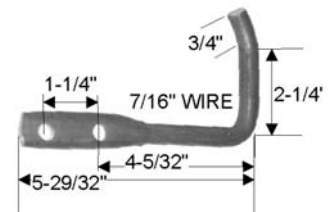


1981-90 ESCORT, EXP, LN7, LYNX, 98 (1.6L), 116 (1.9L); 1984-93 TEMPO, TOPAZ 122 (2.0L), 140 (2.3L), 182 (3.0L); 1991-92 TAURUS POLICE, SHO 183 (3.0L), 230 (3.8L); 1986-87 TAURUS, SABLE 153
MUFFLER; CONNECTOR PIPE

FW115

- 1 529098
- 2 8127
- 3 TH1100
- 4 F2287
- 5
- 6 BR91998



1986-92 MUSTANG 2.3L, 5.0L;
1986 CAPRI 5.0L
MUFFLER-DUAL RIGHT; MUFFLER-SINGLE

FORD continued	FORD TRUCK
<p>FW904</p> <p>1 2 3 4 F2356 5 6 BR92046</p>  <p>1987-91 TEMPO, TOPAZ 2.3L 4WD EXHAUST PIPE-2ND PIPE</p>	<p>FW898</p> <p>1 2 3 4 5 6 BR92189</p>  <p>2-1/4" HEAVY DUTY CLAMP WITH 3/8" ROD</p> <p>1987-93 F150, F250 4.9L; 5.0L, 5.8L CONVERTER</p>
<p>FW917</p> <p>1 529098 2 8128 3 TH1100 4 5 6 BR92066</p>  <p>3/8" WIRE</p> <p>1986-92 MUSTANG 2.3L, 5.0L; 1986 CAPRI, LTD. MARQUIS 2.3L, 5.0L MUFFLER</p>	<p>TPH1011B</p> <p>1 2 3 4 5 6 BR92186</p>  <p>2-1/2" HEAVY DUTY CLAMP WITH 1/2" ROD</p> <p>1987-88 BRONCO II 2.9L; 1991-92 EXPLORER 4.0L; 1990-92 RANGER 2.9L, 3.0L, 4.0L CONVERTER</p>
<p>TPH979B</p> <p>1 528948 2 8128 3 TH979 4 5 35243 6 BR91949</p>  <p>3/4"</p> <p>1-1/4"</p> <p>7/16" WIRE</p> <p>2-1/4"</p> <p>4-5/32"</p> <p>5-29/32"</p> <p>1983-92 MUSTANG 2.3L, 3.8L, 5.0L; 1983-86 CAPRI, LTD. MARQUIS 2.3L; 1983-86 LTD. MARQUIS 3.8L MUFFLER</p>	<p>TPH1020B</p> <p>1 2 3 4 5 6 BR92187</p>  <p>USED WITH BR91991</p> <p>2-1/4" HEAVY DUTY CLAMP WITH 1/2" ROD</p> <p>3-1/2"</p> <p>1986-89 AEROSTAR 2.3L, 2.8L, 3.0L CONVERTER</p>
	<p>TPH1021B</p> <p>1 2 3 4 5 6 BR92188</p>  <p>2-1/2" HEAVY DUTY CLAMP WITH 1/2" ROD</p> <p>USED WITH BR91991</p> <p>11"</p> <p>1987-94 RANGER 2.3L CONVERTER</p>

BRACKETS

OEM TYPE BRACKETS AND HANGERS

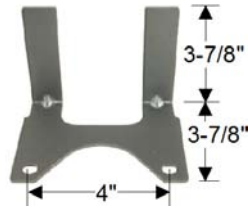
FORD TRUCK continued

FORD TRUCK continued

TH1075B

- 1 529072
- 2
- 3 TH1075
- 4 F2428
- 5 35815
- 6 BR92101

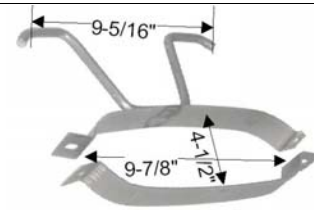
USED WITH
TPH21LB



1989 AEROSTAR 3.0L;
1990-92 AEROSTAR 4.0L
CONVERTER

TH1027B

- 1 528932
- 2
- 3 TH1027
- 4
- 5 35274
- 6 BR92028



1987 F250, F350 6.9L:
MUFFLER

TH936B

- 1 528968
- 2
- 3 TH936
- 4
- 5
- 6 BR91957

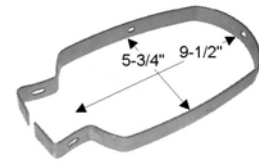
USE WITH
TPH793B



1982-83 F100 232(3.8L), 300(4.9L), 255(4.2L),
302(5.0L); 1980-86 F150 300(4.9L), 302(5.0L),
351(5.8L), 400(6.6L); 1980-86 F250 232(3.8L),
300(4.9L), 302(5.0L), 351(5.8L), 400(6.6L), 420(6.9L),
460(4.5L); 1983-86 F350 300(4.9L), 351(5.8L),
460(7.5L), 420(6.9L)
MUFFLER-REAR

TPH1025B

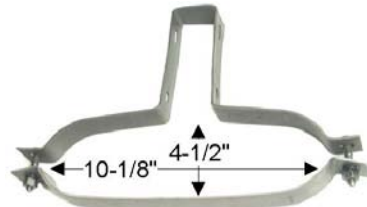
- 1
- 2
- 3 TH1119
- 4 F2193
- 5
- 6 BR92214



1988-95 E250, E350, W/5.8L OVER 8500 GVW
1988-95 E250, 1988-91 E350 W/7.5L: F150, F250
1984-96: F350 1984-96 W/4.9L 1988-96 W/5.8L, 1988-
93 W/7.3L DIESEL, 1988-92 W/7.5L
MUFFLER

TH1015B

- 1 528906
- 2 8080
- 3 TH1015
- 4
- 5 35766
- 6 BR91929



1985 87 F250, F350 6.9L; 1985-87 F250, F350 7.5L
DUAL INLET
MUFFLER

TPH1216B

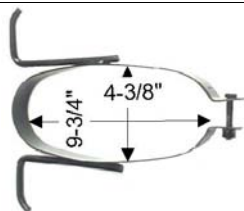
- 1 529094
- 2 8213
- 3 TH1096
- 4
- 5 13874
- 6 BR460



1984-93 BRONCO 300 (4.9L), 302, 351;
1987-93 F350 300 (4.9L),
1983-85 F350 5.8L, 6.9L, 7.5L
MUFFLER

TH1019B

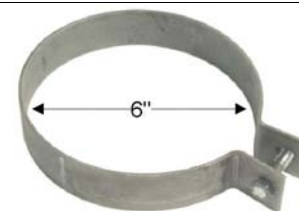
- 1 528924
- 2
- 3 TH1019
- 4
- 5 35276
- 6 BR92023



1988-92 F350 5.8L; 1987 F350 6.9L;
1988-92 F350, F450 (SUPER DUTY) 7.3L, 7.5L;
1987 F250, F350 7.5L
MUFFLER

TPH1300B

- 1 528883
- 2 8594
- 3 TH992
- 4 F2386
- 5 13800
- 6 BR91955



1980-83 BRONCO 4.9L, 5.0L, 5.8L;
1984-85 F250 5.8L;
1980-86 F350 4.9L, 5.8L; 1980-81 F350 6.6L
MUFFLER

FORD TRUCK continued

FORD TRUCK continued

TPH361B

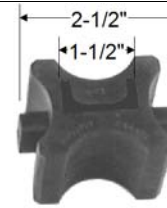
- 1 529005
- 2
- 3 TH882
- 4
- 5 35564
- 6 BR823



1982-85 RANGER 122, 140(2.3L)
HEAT SHIELD STRAP

FEH1200

- 1
- 2
- 3
- 4
- 5
- 6 BR92152



USED IN
TPH1012B

1986-92 AEROSTAR 2.3L, 2.8L, 3.0L, 4.0L
3RD. PIPE

TPH1024B

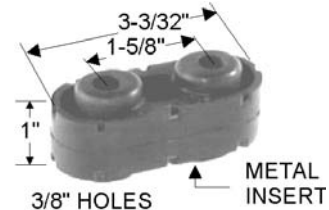
- 1
- 2
- 3
- 4 F2419
- 5
- 6 BR92213



1987-96 E100 4.9L; 1987-95 E150 5.0L, 5.8L;
1987-95 E200, E250 4.9L, 5.8L, 6.9L (DIESEL),
7.3L(DIESEL), 7.5L;
1987-95 E300, E350, 4.9L, 5.0L, 5.8L, 6.9L (DIESEL),
7.3L (DIESEL), 7.5L
MUFFLER

TPH1322B

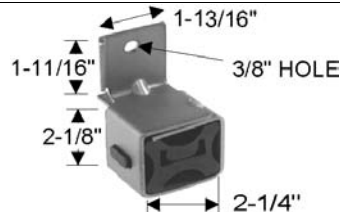
- 1
- 2
- 3
- 4
- 5
- 6 BR92153



1986-90 BRONCO 4.9L, 5.0L, 5.8L;
1986-90 BRONCO II 2.9L; 1991-92 EXPLORER 4.0L;
1990-92, 1995-96 F150 4.9L, 5.0L, 5.8L; 1988-96 F250
4.9L, 5.0L, 5.8L, 7.3L, 7.5L
CONVERTER; EXHAUST PIPE; MUFFLER

TPH1012B

- 1
- 2
- 3
- 4
- 5
- 6 BR92151



1990-96 AEROSTAR 3.0L, 4.0L
MUFFLER; 3RD. PIPE

TPH362B

- 1 528920
- 2 8196
- 3 TH950
- 4 F2125
- 5
- 6 BR845



1983-93 BRONCO 300 (4.9L), 302 (5.0L), 351
(5.8L); 1991-93 EXPLORER 244 (4.0L); 1987-93 E & F
100, 200 300 SERIES 300 (4.9L), 302 (5.0L), 351
(5.8L), 448 (7.3L DIESEL), 420 (6.9L DIESEL), 460
(7.5L); 1985-93 RANGER 122 (2.0L), 140 (2.3L), 177
(2.9L), 183 (3.0L), 244 (4.0L)
TAIL PIPE-SINGLE; EXHAUST PIPE-2ND PIPE

TPH793B

- 1 529558
- 2 8223
- 3 TH921
- 4 F2105
- 5 35462
- 6 BR793

ALSO SEE
TPH220B
& TPH232B

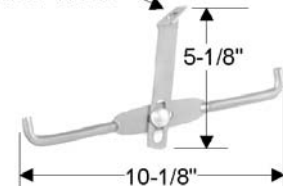


1982-83 F100 232(3.8L), 300(4.9L), 255(4.2L),
302(5.0L); 1980-86 F150 300(4.9L), 302(5.0L),
351(5.8L), 400(6.6L); 1980-86 F250 232(3.8L),
300(4.9L), 302(5.0L), 351(5.8L), 400(6.6L), 420(6.9L),
460(4.5L); 1983-86 F350 300(4.9L), 351(5.8L),
460(7.5L), 420(6.9L)
MUFFLER-REAR

TPH1037B

- 1
- 2
- 3
- 4 F2195
- 5
- 6 BR92156

3/4" x 11/32" HOLE




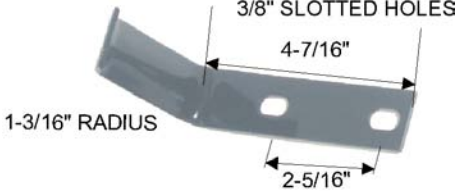



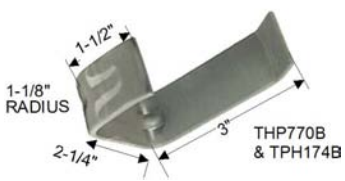


1992-95 E250-350 VANS 5.8L
MUFFLER

BRACKETS

OEM TYPE BRACKETS AND HANGERS

GEO	GMC TRUCK
<p>FEH1165</p> <p>1 2 8233 3 TH939 4 5 35646 6 BR92016</p>  <p>3/8" HOLES</p> <p>2-5/32"</p> <p>2-1/8"</p> <p>1"</p> <p>1990-92 STORM 1.6L; 1992 1.8L EXHAUST PIPE; MUFFLER</p>	<p>TH1017B</p> <p>1 528908 2 8214 3 TH1017 4 F2346 5 6 BR91946</p>  <p>3/8" X 1-1/16" HOLES</p> <p>2-3/8"</p> <p>1-13/16"</p> <p>2-21/32"</p> <p>2-3/8"</p> <p>6-3/4"</p> <p>USED WITH 3/8" MUFFLER CLAMP</p> <p>1988-91 C. K. R SERIES. 350(5.7L). 379(6.2L) TAIL PIPE-DUAL OUTLET</p>
<p>FEH1204</p> <p>1 2 3 4 F2381 5 6 BR92104</p>  <p>1-5/8"</p> <p>3-1/8"</p> <p>7/8"</p> <p>1/2" HOLES</p> <p>1994-95 TRACKER 98U(1.6L) MUFFLER</p>	<p>TH1051B</p> <p>1 528986 2 8109 3 TH1051 4 5 6 BR91952</p>  <p>9/16" HOLE</p> <p>5-9/16"</p> <p>1986-92 C. K SERIES 4.3L. 5.0L. 5.7L . 6.2L EXHAUST PIPE; TAIL PIPE</p>
<p>FEH413</p> <p>1 2 3 4 F2173 5 6 BR406</p>  <p>2-5/32"</p> <p>11-1/16"</p> <p>1991-93 STORM 98, 110; 1989 SPECTRUM 92(1.5L) EXHAUST PIPE-2ND PIPE; EXHAUST PIPE-FRONT</p>	<p>TH991B</p> <p>1 528882 2 8112 3 4 5 6 BR92204</p>  <p>ALSO SEE TPH197B</p> <p>4-1/4"</p> <p>2-23/32"</p> <p>1-1/2"</p> <p>1992-93 SONOMA 2.5L, 2.8L, 4.3L 1982-91 S15 1.9L, 2.0L, 2.2L, 2.5L, 2.8L; 1985-90 SAFARI 2.5L(151); 1985-91SAFARI 4.3L(262) 2ND PIPE; 3RD. PIPE</p>
<p>FEH867</p> <p>1 528873 2 8180 3 4 F2168 5 35725 6 BR867</p>  <p>2-9/16"</p> <p>1-5/8"</p> <p>1/2" HOLES</p> <p>1"</p> <p>1989-93 METRO 61 (1.0L); 1990-93 PRISM 97 (1.6L) 1989-93 TRACKER 79(1.3L). 97(1.6L) TAIL PIPE; MUFFLER</p>	<p>TPH1266B</p> <p>1 528881 2 8113 3 TH990 4 5 35940 6 BR92007</p>  <p>5/16" x 7/8" SLOTTED HOLE</p> <p>5/16" HOLE</p> <p>2"</p> <p>1982-91 ST JIMMY & ST15 PICKUP, SONOMA 2.5L, 2.8L. 4.3L; 1990-91 SAFARI MINI VAN 4.3L EXHAUST PIPE; MUFFLER</p>

GMC TRUCK continued	GMC TRUCK continued
<p>TPH1268B</p> <p>1 2 3 4 F2265 5 6 BR92008</p>  <p>1986-88 P SERIES 6.2L MUFFLER-UPPER</p>	<p>TPH180B</p> <p>1 523462 2 8557 3 TH498 4 F1526 5 35661 6 BR124</p>  <p>1982-91 JIMMY 6.2L(379ci); 1973 SPRINT 307, 350, 454 EXHAUST PIPE-REAR</p>
<p>TPH1270B</p> <p>1 2 3 4 F2266 5 6 BR92009</p>  <p>1987-90 SUBURBAN 4WD 5.7L MUFFLER-LOWER</p>	<p>TPH190B</p> <p>1 523928 2 8215 3 H1256 4 F1897 5 35358 6 BR318</p>  <p>1985-90 , SAFARI (Exc. A.W.D.) 2.5L, 4.3L; 1983-91 S15 PICKUP 4WD 1.9L, 2.8L, 4.3L; 1982-91 SUBURBAN, 1982-87 C & R 1500 6.2L W/ DUAL EXHAUST: 1982-84 G1500, G1600 250, 305, 350, 400 TAIL PIPE; MUFFLER</p>
<p>TPH1272B</p> <p>1 2 3 4 F2267 5 6 BR92010</p>  <p>1986-90 SAFARI MINI VAN 2.5L CONVERTER-LOWER</p>	<p>TPH209B</p> <p>1 528957 2 9962 3 H1259 4 F1990 5 35090 6 BR378</p>  <p>1983-91 S15 PICKUP 2WD 119, 121, 137 (2.2L DIESEL), 151, 173; 1992 S15 JIMMY; 1987-91 JIMMY 4WD 350; 1987-92 SUBURBAN 350, 379; 1975-78 250, 350; 1988-92 C & R 1500 SERIES 262, 305, 350, 379, 454; 1987-90 G1500 SERIES 350; 1984-91 C 20 & 2500 SERIES PICKUP, SUBURBAN 350, 379 TAIL PIPE</p>
<p>TPH1274B</p> <p>1 2 3 4 F2343 5 6 BR92021</p>  <p>1990-92 P SERIES 4.3L, 5.7L, 7.4L MIDDLE PIPE</p>	<p>TPH210B</p> <p>1 528758 2 9950 3 H1094 4 F1942 5 35045 6 BR202C</p>  <p>1982-91 S15 PICKUP 119(2.0L), 121, 151, 173, 262; 1979-82 JIMMY 250, 305, 350; 1973-76 307, 350; 1977-87 SUBURBAN 250, 305, 350, 379, 454; 1973 307; 1978-84 C1500 SERIES 250, 305, 350L-Z; 1973-74 250, (6.2L)292, 350 : MUFFLER-FRONT</p>

BRACKETS

OEM TYPE BRACKETS AND HANGERS

GMC TRUCK continued

GMC TRUCK continued

TPH232B

- 1
- 2
- 3
- 4
- 5
- 6 BR675



ALSO SEE TPH793B & TPH220B

1985-90 SAFARI 151, 262;
1983-91 S15 PICKUP 119, 121, 151;
1983-87 137(2.2 DIESEL), 173
MUFFLER-REAR

TPH146B

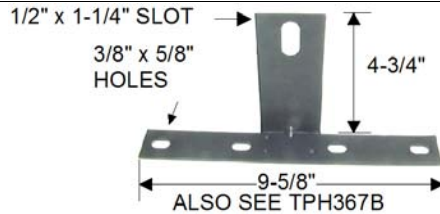
- 1
- 2
- 3
- 4
- 5
- 6



1971-72 SPRINT
EXHAUST PIPE

TPH240B

- 1 528907
- 2 8170
- 3 TH1016
- 4
- 5
- 6 BR91915



1988-93 C1500, C2500, C3500 350K(5.7L), 379(6.2L);
1990 454(7.4L); 1990-93 262(4.3L); 1988-93 K1500,
K2500, K3500 350K(5.7L), 379(6.2L); 1990-92
262(4.3L); 1988-91 R2500, R3500 350K(5.7L),
379(6.2L); 1988-91 V3500 350K(5.7L), 379(6.2L)
MUFFLER-DUAL OUTLET

TPH147B

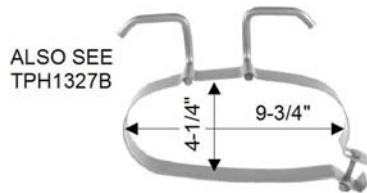
- 1
- 2
- 3
- 4
- 5
- 6



1971-72 SPRINT
EXHAUST PIPE

TPH1000B

- 1 529107
- 2
- 3
- 4
- 5 36125
- 6 BR92108



1995 S10, S15 JIMMY 4.3L
MUFFLER

TPH1315B

- 1
- 2
- 3
- 4
- 5
- 6 BR92051



1986-87 C, R SERIES, JIMMY, SUBURBAN 5.0L, 5.7L;
1990-92 P SERIES 3.9L, 6.2L
2ND PIPE; MUFFLER

TPH1327B

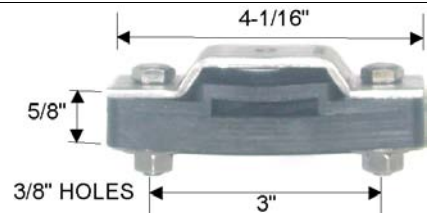
- 1
- 2
- 3
- 4
- 5 36163
- 6 BR92222




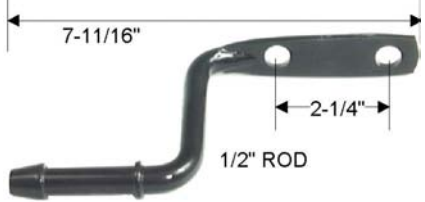


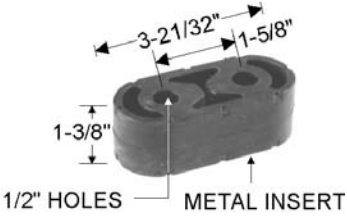



1995-97 4.3L S15 JIMMY
MUFFLER

TPH191LB

- 1 528703
- 2 8241
- 3 TH824
- 4 F1482
- 5 35705
- 6 BR359










1973-79 JIMMY 250, 305, 307, 350, 400;
1973-79 SUBURBAN 250, 307, 350; 1973-75 C, G & R
1500 SERIES 250, 292, 307, 350; 1975-90 G1500
SERIES 262, 305, 350; 1973-88 C & G2500 SERIES
250, 292, 250, 307, 350, 454
MUFFLER; TAIL PIPE

GMC TRUCK continued	GMC TRUCK continued
<p>TH1066B</p> <p>1 529042 2 3 TH1066 4 F2347 5 6 BR92062</p>  <p>METAL INSERT</p> <p>11/32" HOLES</p> <p>1-5/32"</p> <p>2-7/8"</p> <p>7/8"</p> <p>1992 ST. JIMMY, SONOMA PICKUP, SYCLONE, TYPHOON 2.5L, 2.8L, 4.3L 2ND PIPE; 3RD. PIPE</p>	<p>FW202</p> <p>1 2 3 4 F2274 5 6 BR92002</p>  <p>7-11/16"</p> <p>2-1/4"</p> <p>1/2" ROD</p> <p>1990-92 C, K SERIES 5.7L, 6.2L, 6.5L, 7.4L CONVERTER; MUFFLER; EXHAUST PIPE</p>
<p>TH1068B</p> <p>1 529044 2 8066 3 TH1068 4 F2287 5 6 BR91988</p>  <p>METAL INSERT</p> <p>1-15/16"</p> <p>17/32" HOLES</p> <p>1-1/2"</p> <p>1990-92 JIMMY, C, G, K, R V SERIES, SUBURBAN, YUKON 4.3L, 5.0L, 5.7L, 6.2L, 6.5L, 7.4L EXHAUST PIPE; EXHAUST PIPE; MUFFLER; CONVERTER</p>	<p>FW204</p> <p>1 2 3 4 F2273 5 6 BR92003</p>  <p>1/2" HOLES</p> <p>1-3/8"</p> <p>1/2" ROD</p> <p>1990-92 C3500, K3500 SERIES 7.4L CONVERTER; EXHAUST PIPE</p>
<p>TPH1013B</p> <p>1 529119 2 3 TH1126 4 F2358 5 6 BR92154</p>  <p>METAL INSERT</p> <p>1/2" HOLES</p> <p>1-3/8"</p> <p>3-21/32"</p> <p>1-5/8"</p> <p>1992-94 SAFARI MINI VAN 4.3L; 1993-94 C & K 1500 SERIES 4.3L, 5.0L, 5.7L EXHAUST PIPE; MUFFLER</p>	<p>FW206</p> <p>1 2 3 4 F2293 5 6 BR92022</p>  <p>2"</p> <p>3/8" HOLES</p> <p>4-3/32"</p> <p>1991-92 G SERIES VAN 4.3L, 6.2L, 7.4L MUFFLER</p>
<p>TPH1260B</p> <p>1 2 3 4 F2275 5 6 BR91997</p>  <p>2-1/8"</p> <p>1-1/16"</p> <p>1989-91 SUBURBAN 5.7L MUFFLER-UPPER</p>	<p>FW900</p> <p>1 2 3 4 F2311 5 6 BR92182</p>  <p>2-1/4"</p> <p>5-7/8"</p> <p>7/16" HOLES</p> <p>1/2" ROD</p> <p>1992-93 C, K2500, C, K3500 PICKUP 395(F)6.5L; 1990-95 C, K2500, C, K3500 PICKUP 454(N)7.4L MUFFLER; EXHAUST PIPE-2ND PIPE</p>

BRACKETS

OEM TYPE BRACKETS AND HANGERS

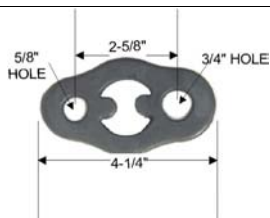
GMC TRUCK continued	HONDA
<p>FW916</p> <p>1 529037 2 3 TH1112 4 5 35236 6 BR91974</p>  <p>1991 G1500, G2500, G3500 4.3L, 5.7L: TAIL PIPE</p>	<p>FEH564</p> <p>1 529022 2 8258 3 TH957 4 F3765(CAN) 5 35006 6 BR564</p>  <p>1975-79 CIVIC 1237cc (1.2L) EXHAUST PIPE-1ST.</p>
<p>TH1060B</p> <p>1 529036 2 8015 3 TH969 4 5 35715 6 BR91958</p>  <p>1985-91 SAFARI MINI VAN 2.5L, 4.3L CONVERTER; MIDDLE PIPE</p>	<p>FEH589</p> <p>1 529201 2 3 4 F3733(CAN) 5 35007 6 BR589</p>  <p>1976-80 ACCORD 1590 (1.6L), 1829cc (1.8L); 1979-80 PRELUDE 1829cc (1.8L) EXHAUST PIPE-2ND PIPE</p>
<p>TPH367B</p> <p>1 2 8322 3 4 F2426 5 35287 6 BR92099</p> <p>ALSO SEE TPH240B</p>  <p>1988-93 C1500, C2500, C3500, V3500 350K(5.7L), 379(6.2L); 1990 454(7.4L); 1990-93 262(4.3L); 1988-93 K1500, K2500, K3500 350K(5.7L), 379(6.2L); 1990-92 262(4.3L); 1988-91 R1500, R2500, R3500 MUFFLER-DUAL OUTLET</p>	<p>FEH1187</p> <p>1 528923 2 8092 3 TH1018 4 5 35286 6 BR91978</p>  <p>1986-90 ACCORD 2.0L, 1992 PRELUDE 2.2L, 2.3L CONVERTER; EXHAUST PIPE</p>
	<p>FEH557</p> <p>1 528706 2 8533 3 TH893 4 F1605 5 35041 6 BR557</p>  <p>1973-79 CIVIC 1169cc, 1237cc EXHAUST PIPE-2ND PIPE; TAIL PIPE; EXHAUST PIPE-1ST.</p>

HONDA continued

HONDA continued

FEH559

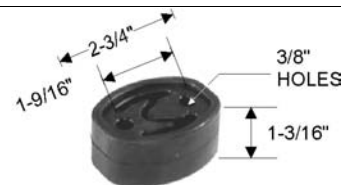
- 1 528707
- 2 8532
- 3 TH847
- 4 F1797
- 5 35550
- 6 BR559



1975-80 CIVIC 1237cc, 1300cc, 1487cc
MUFFLER; EXHAUST PIPE-1ST.

TPH1005B

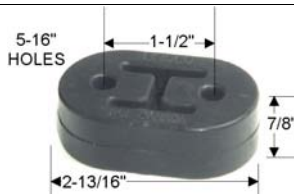
- 1
- 2
- 3
- 4
- 5
- 6 BR92138



1988-95 CIVIC 1.5L, 1.6L;
1993-96 CIVIC DEL SOL 1.5L, 1.6L;
1988-90 CIVIC WAGON 1.5L, 1.6L;
1988-90 CRX 1.5L, 1.6L; 1995 ODYSSEY 2.2L;
1991 PRELUDE 2.1L; 1988-90 CIVIC WAGON 1.5L
CONVERTER; EXHAUST PIPE; MUFFLER

FEH560

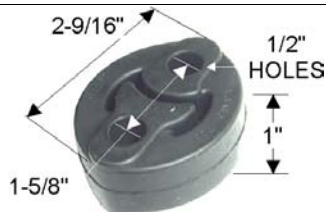
- 1 528811
- 2 8531
- 3 TH878
- 4 F1780T
- 5 35119
- 6 BR560



1979-93 ACCORD, PRELUDE 1590cc (1.6L), 1829cc
(1.8L), 1955cc (2.0L), 1958 (2.0L);
1983-91 PRELUDE 1829cc (1.8L), 1958cc (2.0L); 1984-
91 CRX 1342cc (1.3L), 1493cc (1.5L); (1.3L), 1493cc
(1.5L);
1980-83 CIVIC 1300cc, 1493cc (1.5L), 1590cc (1.6L)
MUFFLER-FRONT

FEH867

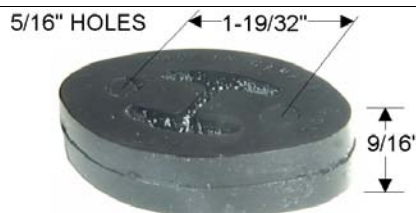
- 1 528873
- 2 8180
- 3
- 4 F2168
- 5 35725
- 6 BR867



1985-87 CIVIC STATION WAGON 1493cc (1.5L)
MUFFLER

FEH941

- 1 528955
- 2 8075
- 3 TH941
- 4 F2120
- 5 35029
- 6 BR427



1981-91 CIVIC HATCHBACK, SEDAN, STATION
WAGON 91 (1.5L); 1984-87 CRX 82 (1.3L), 91 (1.5L);
1981-82 PRELUDE 107 (1.8L)
EXHAUST PIPE-2ND PIPE; MUFFLER-REAR

BRACKETS

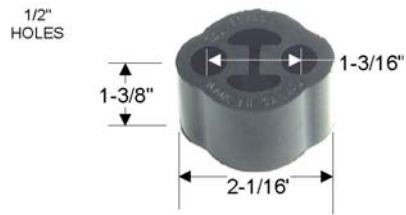
OEM TYPE BRACKETS AND HANGERS

HYUNDAI

INFINITI

FEH448

- 1
- 2
- 3
- 4
- 5
- 6 BR448



1984-87 PONY, STELLAR 1.4L, 1.6L
CANADA ONLY
MUFFLER

FW919

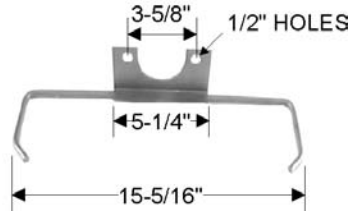
- 1
- 2 8063
- 3
- 4
- 5
- 6 BR92098



1991-94 G20 SR20DE (2.0L)
EXHAUST PIPE-1ST. PIPE

TPH1002B

- 1
- 2
- 3
- 4
- 5 35142
- 6 BR92109



1990-94 SONATA 3.0L
2ND PIPE-FRONT; 2ND PIPE

ISUZU ISUZU TRUCK

FEH413

- 1
- 2
- 3
- 4 F2173
- 5
- 6 BR406



1984-92 IMPULSE 97, 110, 121, 137;
1987-89 I-MARK 90; 1991-93 STYLUS 97
EXHAUST PIPE-2ND PIPE; EXHAUST PIPE-FRONT

TPH1197B

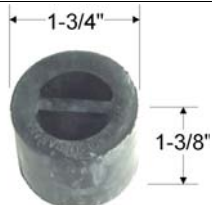
- 1
- 2
- 3
- 4 F2115
- 5
- 6 BR91928



1989 PICKUP 137(2.3L)
TAIL PIPE

FEH552

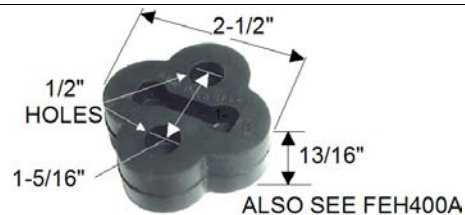
- 1 528954
- 2 8511
- 3 TH826
- 4 F1914
- 5 35353
- 6 BR552



1981-85 I-MARK 1.8L GAS (1800cc)
MUFFLER-FRONT

FEH400

- 1 528766
- 2 8547
- 3 H1244
- 4 F1670
- 5 35473
- 6 BR817



1989-90 PICKUP 2.6L;
1989-91 TROOPER 2.6L, 2.8L
TAIL PIPE; CONNECTOR PIPE

FEH552

- 1 528954
- 2 8511
- 3 TH826
- 4 F1914
- 5 35353
- 6 BR552



1984-91 TROOPER 1.9L, 2.2L (DIESEL), 2.3L, 2.6L;
1981-92 PICKUP 2.2L (DIESEL), 2.3L, 2.6L, 3.1L; 1991-
92 RODEO 2.6L, 3.1L
TAIL PIPE; EXHAUST PIPE-1ST.

BRACKETS

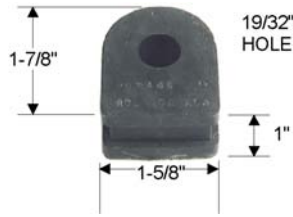
OEM TYPE BRACKETS AND HANGERS

JAGUAR

JEEP

FEH1189

- 1 529034
- 2
- 3 TH1092
- 4 F2161
- 5 35472
- 6 BR445



1985-87 XJ6 4.2L

CONNECTOR PIPE-DUAL RIGHT; CONNECTOR PIPE-DUAL-LEFT

TPH763B

- 1
- 2
- 3
- 4 F1920
- 5
- 6 BR753



1987-91 GRAND WAGONEER 5.9L; 1987-88 J10, J20 PICKUP 4.2L, 5.9L; 1980-82 CJ5, CJ7, CJ8, CHEROKEE 2.5L, 258(4.2L), 5.9L EXHAUST PIPE

TPH460B

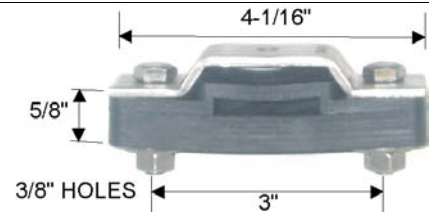
- 1 528910
- 2 8572
- 3 TH743
- 4 F1712
- 5
- 6 BR383



1979-92 CHEROKEE, WAGONEER, WAGONEER SPORT WAGON, GRAND WAGONEER 2.5L, 2.8L, 242(4.0L), 258(4.2L), 360; 1979-88 J10, J20 PICKUP 360 TAIL PIPE

TPH191LB

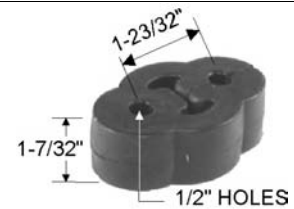
- 1 528703
- 2 8241
- 3 TH824
- 4 F1482
- 5 35705
- 6 BR359



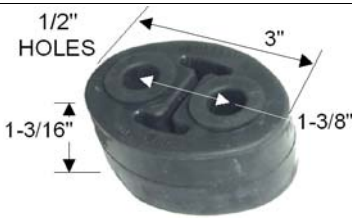
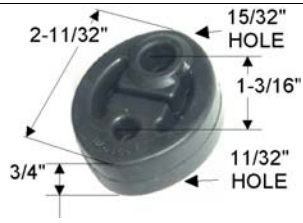


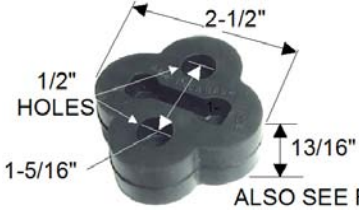
1979-86 CJ5, CJ7, CJ8 151, 258 TAIL PIPE

TPH1014B

- 1
- 2 8058
- 3
- 4 F2383
- 5
- 6 BR92155



1995-96 GRAND CHEROKEE 4.0L, 5.2L MUFFLER

LEXUS	MAZDA
<p>TPH1302B</p> <p>1 2 3 4 F2278 5 6 BR91996</p>  <p>1990-92 LS400 4.0L MUFFLER</p>	<p>FEH1187</p> <p>1 528923 2 8092 3 TH1018 4 5 35286 6 BR91978</p>  <p>1986-91 RX7 1.3L ROTARY CONVERTER</p>
	<p>FEH1198</p> <p>1 529048 2 8133 3 TH1072 4 F2280 5 35811 6 BR91948</p>  <p>1986-91 RX7 1.3L ROTARY MUFFLER-FRONT</p>
	<p>FEH346</p> <p>1 528958 2 8535 3 TH794 4 F1590 5 35386 6 BR570</p>  <p>1975-78 808 1586cc (1.6L); 1976-77 MIZER 1272cc (1.3L) TAIL PIPE</p>
	<p>FEH400</p> <p>1 528766 2 8547 3 H1244 4 F1670 5 35473 6 BR817</p>  <p>ALSO SEE FEH400A</p> <p>1977-85 GLC 1.3L, 1.4L, 1.5L; 1987-93 323 1.6L, 1.8L; 1983-92 626 122, (2.0L DIESEL)2.0L (GAS), 2.2L; 1992-93 MX3 1.6L, 1.8L; 1990-93 MIATA 1.6L; 1988-92 929 3.0L CONVERTER; MUFFLER; CONNECTOR PIPE</p>

BRACKETS

OEM TYPE BRACKETS AND HANGERS

MAZDA continued

MAZDA TRUCK

FEH942

- 1 529018
- 2 8536
- 3 TH942
- 4 F1598
- 5
- 6 BR92072



1989-92 RX7 1.3L
CONVERTER

TPH1011B

- 1
- 2
- 3
- 4
- 5
- 6 BR92186



1991-92 NAVAJO 4.0L
CONVERTER

TH1018B

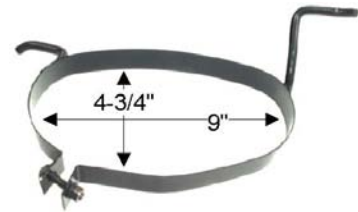
- 1 528923
- 2
- 3 TH1018
- 4 F2209
- 5
- 6 BR91989



1990 MIATA 1.6L; 1989-91 MPV 3.0L
CONVERTER; MUFFLER; TAIL PIPE-FRONT

TH1049B

- 1 528984
- 2 8138
- 3 TH1049
- 4
- 5
- 6 BR92059



1989-92 B2600 2.6L
MUFFLER

TPH1288B

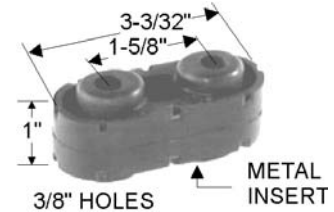
- 1
- 2
- 3
- 4 F2310
- 5
- 6 BR91991



1991-92 NAVAJO 4.0L VGE4 ENGINE
CONVERTER

TPH1322B

- 1
- 2
- 3
- 4
- 5
- 6 BR92153




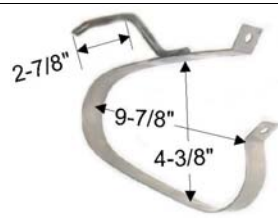
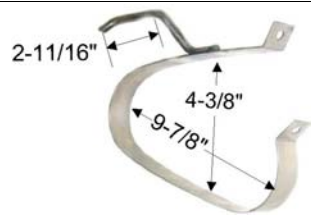
1991-94 NAVAJO 4.0L; 1995-96 B2300, B3000, B4000
2.3L, 3.0L, 4.0L
MUFFLER; EXHAUST PIPE

TPH362B

- 1 528920
- 2 8196
- 3 TH950
- 4 F2125
- 5
- 6 BR845



1991-93 NAVAJO 244 (4.0L); 1986-93 B2000, B2600
2.0L, 2.2L, 2.6L
TAIL PIPE; CONNECTOR PIPE; MUFFLER

MERCEDES	MERCURY
<p>TH1054B</p> <ol style="list-style-type: none"> 1 529030 2 3 TH1054 4 F2263 5 35911 6 BR92000  <p style="text-align: center;">1984-85 190D 2.2L DIESEL MUFFLER-FRONT</p>	<p>TPH1329B</p> <ol style="list-style-type: none"> 1 2 8157 3 4 5 6 BR92229  <p style="text-align: center;">1988-95 SABLE STATION WAGON 3.0L, 3.8L MUFFLER</p>
	<p>TPH1330B</p> <ol style="list-style-type: none"> 1 2 8158 3 4 5 6 BR92230  <p style="text-align: center;">1988-95 SABLE SEDAN 3.0L, 3.8L MUFFLER</p>

BRACKETS

OEM TYPE BRACKETS AND HANGERS

mitsubishi

mitsubishi continued

FEH396

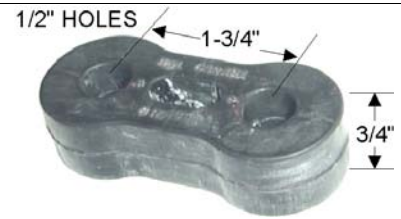
- 1 527071
- 2 8231
- 3 TH884
- 4 F1971
- 5 35551
- 6 BR808



1985-87 MIRAGE 90 (1.5L), 98 (1.6L);
1987-92 PRECIS 90 (1.5L);
1983-88 TREDIA 1.8L, 2.0L
CONNECTOR PIPE

TPH1282B

- 1
- 2
- 3
- 4 F2312
- 5
- 6 BR91986



1990-92 PICKUP 3.0L
EXHAUST PIPE; CONVERTER

FEH908

- 1 528956
- 2 8287
- 3 TH908
- 4 F1780
- 5 35460
- 6 BR400



1985-93 DIAMANTE, ECLIPSE, GALANT, MIRAGE,
PRECIS 1.5L, 1.6L, 1.8L, 2.0L, 3.0L
MUFFLER-REAR; EXHAUST PIPE

TH1007B

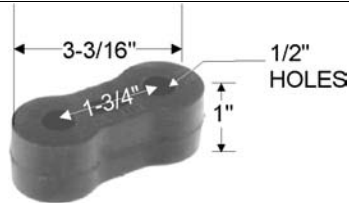
- 1 528893
- 2 8139
- 3 TH1007
- 4 F2212
- 5 35951
- 6 BR91987




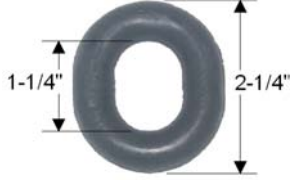


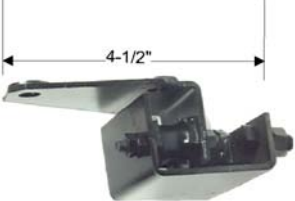



1987-92 PICKUP 2.0L; 2.4L, 2.6L, 3.0L;
1992 MONTERO 3.0L; 1991-92 3000GT 3.0L
EXHAUST PIPE; CONVERTER; MUFFLER

TPH1006B

- 1
- 2
- 3
- 4
- 5
- 6 BR92140



1985-91 GALANT 2.0L, 2.4L;
1987-92 MIRAGE 1.5L, 1.6L
MUFFLER; EXHAUST PIPE

NISSAN	NISSAN continued
<p>FEH380</p> <ol style="list-style-type: none"> 1 529054 2 8519 3 TH832 4 F1735 5 35126 6 BR598  <p>1987-93 PATHFINDER 2.4L, 3.0L; 1986-93 PICKUP 2.4L, 3.0L; 1975-79 620 2.0L; 1980-83 720 2.0L, 2.2L; 1977-88 200SX 1908cc (1.8L), 1952cc (2.0L), 2187cc (2.2L); 1975-82 210 1237cc (1.2L), 1397cc (1.4L), 1488cc(1.5L); 1979-82 310 1397cc (1.4L), 1488cc(1.5L); 1978-81 510 1952cc (2.0L) TAIL PIPE; EXHAUST PIPE</p>	<p>FEH341</p> <ol style="list-style-type: none"> 1 2 3 H1205 4 F3754(CAN) 5 6 BR548  <p>1979-82 200SX 1237cc (1.2L), 1397cc (1.4L), 1488cc (1.5L), 1908cc (1.8L); 1973-78 210 1397cc (1.4L); 1978-81 510 1952cc (2.0L); 1974-77 710 952cc (2.0L); MUFFLER</p>
<p>FEH412</p> <ol style="list-style-type: none"> 1 527063 2 8286 3 TH904 4 5 6 BR621  <p>1980-83 200SX 1952cc (2.0L), 2187cc (2.2L); 1979-82 210 1237cc (1.2L), 1397cc (1.4L), 1488cc(1.5L); 1980-82 310 1397cc (1.4L), 1488cc(1.5L); CONNECTOR PIPE; TAIL PIPE</p>	<p>FEH400A</p> <ol style="list-style-type: none"> 1 2 8536 3 4 F2162 5 35029 6 BR817W  <p>1984-89 300ZX 2960cc (3.0L); 1985-86 MAXIMA 2960cc (3.0L); 1983-83 PULSAR 1595cc (1.6L); 1982-86 SENTRA 1488cc (1.5L), 1595cc (1.6L); 1985-89 STANZA 2WD 1952cc (2.0L) MUFFLER; CONNECTOR PIPE</p>
<p>FEH950</p> <ol style="list-style-type: none"> 1 2 3 4 5 35953 6 BR92006  <p>1990-92 INFINITI M30 3.0L 2ND PIPE</p>	<p>FEH405</p> <ol style="list-style-type: none"> 1 528972 2 8536 3 TH940 4 F2121 5 6 BR405  <p>1990-93 300ZX 3.0L; 1990 AXXESS 2.4L; 1984-88 810, MAXIMA 3.0L; 1983-86 SENTRA 1.7L (DIESEL); 1982-89 STANZA 2.0L 1987-89 VAN 2.4L TAIL PIPE; MUFFLER</p>
<p>TH981B</p> <ol style="list-style-type: none"> 1 529043 2 3 TH1067 4 F2366 5 35802 6 BR91950  <p>1987-92 PATHFINDER 2.4L, 3.0L MUFFLER</p>	<p>FEH554</p> <ol style="list-style-type: none"> 1 528802 2 9959 3 TH520 4 F1565 5 35391 6 BR554  <p>1979-88 210 1237cc (1.2L), 1397cc (1.4L), 1488cc (1.5L), 1952cc (2.0L); 1970-74 1200 1171cc (1.2L); 1978-81 510 1952cc (2.0L); 1974-77 710 1952cc (2.0L); 1981-84 MAXIMA 2.2L (DIESEL), 2393cc (2.4L) MUFFLER; TAIL PIPE</p>

BRACKETS

OEM TYPE BRACKETS AND HANGERS

NISSAN continued

NISSAN continued

FEH908

- 1 528956
- 2 8287
- 3 TH908
- 4 F1780
- 5 35460
- 6 BR400



1982-93 STANZA 2.0L (CA20E), 2.4L (KA24E);
 1987-93 MAXMA 3.0L (VG30E); 1993 ALTIMA 2.4L;
 1987-90 PULSAR 1.6L, 1.8L;
 1987-93 SENTRA 1.6L, 2.0L;
 1991-93 NX 1.6L, 2.0L;
 1989-92 240SX 2.4L, 280ZX, 300ZX
 ; ; MUFFLER-REAR

TH1013B

- 1 528904
- 2
- 3 TH1013
- 4
- 5 35013
- 6 BR92061



1986-89 STANZA 2.0L
 2ND PIPE; MUFFLER

FEH939

- 1
- 2
- 3
- 4 F2288
- 5
- 6 BR91995



1990-92 STANZA 2.4L; 1989-92 MAXIMA 3.0L
 EXHAUST PIPE

FW919

- 1
- 2 8063
- 3
- 4
- 5
- 6 BR92098



1993-94 ALTIMA KA24DE (2.4L); 1991-93 NX COUPE
 GA16DE (1.6L), SR20DE (2.0L); 1991-94 SENTRA
 GA16DE (1.6L), SR20DE (2.0L)
 EXHAUST PIPE-1ST. PIPE

FEH941

- 1 528955
- 2 8075
- 3 TH941
- 4 F2120
- 5 35029
- 6 BR427



1983-86 PULSAR 1.6L; 1982-86 SENTRA 1.5L, 1.6L
 MUFFLER

TPH1001B

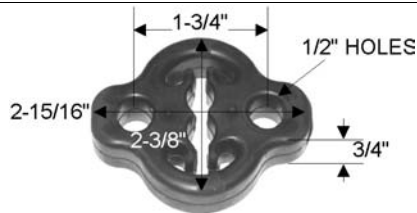
- 1
- 2
- 3
- 4
- 5 35147
- 6 BR92095



1985-88 MAXIMA VG30E (3.0L)
 MUFFLER

FEH946

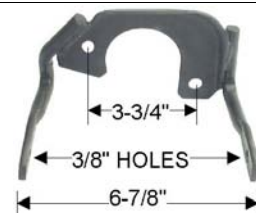
- 1 528890
- 2
- 3 TH1001
- 4 F2276
- 5
- 6 BR91993



1989-92 MAXIMA 3.0L; 1990-92 STANZA 2.4L
 EXHAUST PIPE; CONVERTER

TPH1199B

- 1 529047
- 2 8154
- 3 TH1071
- 4 F2412
- 5 35812
- 6 BR91938



1987-90 PULSAR 1597cc (1.6L), 1908cc (1.8L);
 1987-90 SENTRA 1488cc (1.5L), 1597cc (1.6L)
 EXHAUST PIPE-2ND PIPE

NISSAN continued

NISSAN TRUCK

TPH1201B

- 1 517769
- 2 8155
- 3
- 4 F2371
- 5 35814
- 6 BR91939



1987-89 STANZA 1952cc (2.0L)
EXHAUST-CONNECTOR PIPE

FEH908

- 1 528956
- 2 8287
- 3 TH908
- 4 F1780
- 5 35460
- 6 BR400



1987-89 VAN 2.4L;
1993 QUEST 3.0L
MUFFLER; TAIL PIPE

BRACKETS

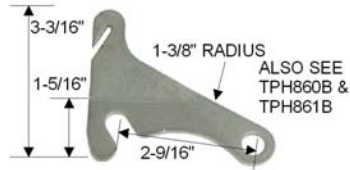
OEM TYPE BRACKETS AND HANGERS

OLDSMOBILE

OLDSMOBILE continued

FW887

- 1
- 2
- 3
- 4 F2427
- 5 35010
- 6 BR92100



1990-92 CIERA 151 (2.5L);
1990-91 204 (3.3L)
CONVERTER

TPH131B

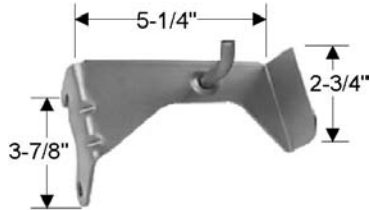
- 1 523006
- 2 8485
- 3 TH483
- 4 F1529
- 5 35175
- 6 BR129



1971 76 DELTA 88, 98 REGENCY 350, 455
TAIL PIPE-SINGLE; TAIL PIPE-DUAL

TPH1016B

- 1 529097
- 2
- 3 TH1099
- 4
- 5
- 6 BR92163



1993-96 CIERA, CUTLASS 3.1L(189 M), 3.3L(204 N)
CONVERTER-REAR

TPH180B

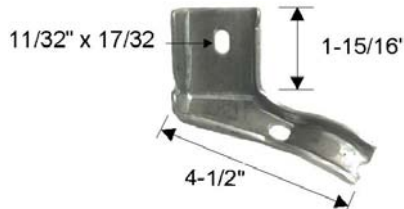
- 1 523462
- 2 8557
- 3 TH498
- 4 F1526
- 5 35661
- 6 BR124



1971-74 DELTA 88, 98 SERIES 350, 455
1973-74 CUTLASS, VISTA CRUISER 350, 455
WITHOUT RESONATOR
TAIL PIPE

TPH1197B

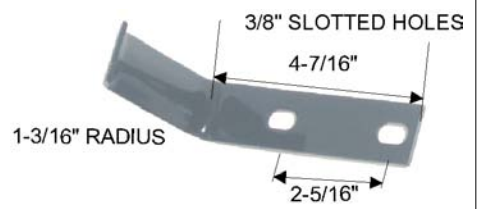
- 1
- 2
- 3
- 4 F2115
- 5
- 6 BR91928



1981-82 CUTLASS 267, 305H
MUFFLER

TPH190B

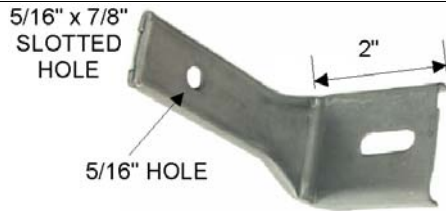
- 1 523928
- 2 8215
- 3 H1256
- 4 F1897
- 5 35358
- 6 BR318



1975-79 OMEGA 231, 250, 260, 305, 350
MUFFLER-DUAL OUTLET; TAIL PIPE

TPH1266B

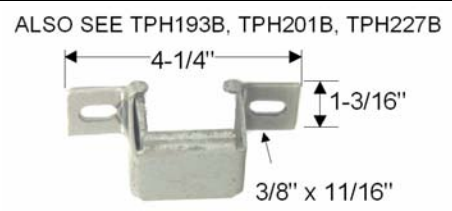
- 1 528881
- 2 8113
- 3 TH990
- 4
- 5 35940
- 6 BR92007




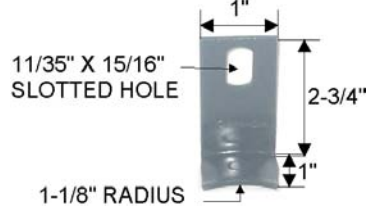


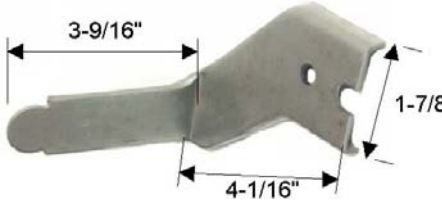
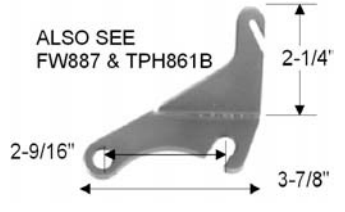


1991 BRAVADA 4.3L
EXHAUST PIPE; MUFFLER

TPH195B

- 1 528702
- 2 8494
- 3 TH751
- 4 F1628
- 5 35181
- 6 BR267



1975-76 DELTA 88 & ROYALE, 98 LUXURY &
REGENCY 350, 400, 455; 1975-78 TORONADO 403,
455; 1975-77 CUTLASS, VISTA CRUISER 231, 250,
350, 403, 455
MUFFLER

OLDSMOBILE continued	OLDSMOBILE continued
<p>TPH201B</p> <p>1 523467 2 8498 3 H1161 4 F1629 5 35662 6 BR261</p>  <p>1975-85 DELTA 88 & ROYALE, 98 LUXURY & REGENCY, TORONADO 231, 252, 260, 301, 307, 350, 350G, L, N, R, 400, 403, 455; 1977-92 CUSTOM CRUISER 305, 307, 350N, 403; 1975-77 CUTLASS 231, 250, 260, 350, 403, 455 MUFFLER</p>	<p>TPH235B</p> <p>1 2 3 H1173 4 F1905 5 6 BR670</p>  <p>1978-79 DELTA 88, 98 REGENCY 403 TAIL PIPE</p>
<p>TPH212B</p> <p>1 527070 2 9961 3 H1261 4 F1933 5 35092 6 BR676</p>  <p>1980-84 OMEGA 151, 173; 1982-85 CIERA 151, 181 (Exc. STATION WAGON), 1992-93 SILHOUTTE 189, 231 MUFFLER-REAR</p>	<p>TPH769B</p> <p>1 2 8253 3 4 F1947 5 6 BR773</p>  <p>1980-85 CUSTOM CRUISER 307, 350N-P; 1984-90 307 TAIL PIPE</p>
<p>TPH225B</p> <p>1 529078 2 8178 3 TH1081 4 F2130 5 35716 6 BR739</p>  <p>1983-84 OMEGA 173Z(2.8L) TAILPIPE-DUAL OUTLET RIGHT</p>	<p>TPH860B</p> <p>1 2 3 4 F3908 5 35893 6 BR92111</p>  <p>1986-90 CIERA 151(2.5L) 1992 CIERA 204(3.3L) CONVERTER</p>
<p>TPH232B</p> <p>1 2 3 4 5 6 BR675</p>  <p>ALSO SEE TPH793B & TPH220B</p> <p>1980-84 OMEGA 151, 173; 1982-85 CIERA 151, 181 (Exc. STATION WAGON) MUFFLER-REAR</p>	<p>TPH861B</p> <p>1 2 3 4 F3909 5 6 BR92190</p>  <p>1987 CIERA 2.5L; 1990-92 CIERA 2.5L; 1986-89 CIERA 2.8L CONVERTER-REAR</p>

BRACKETS

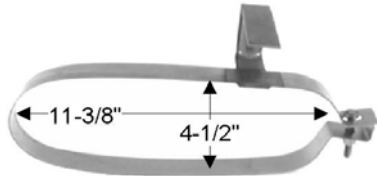
OEM TYPE BRACKETS AND HANGERS

OLDSMOBILE continued

OLDSMOBILE continued

TPH1035B

- 1 529106
- 2 8014
- 3 TH1120
- 4 F2415
- 5 36153
- 6 BR92192



1994-98 ACHIEVA 2.3L, 2.4L, 3.1L
MUFFLER

TPH234BP

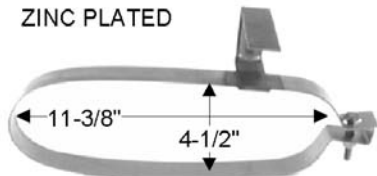
- 1
- 2
- 3
- 4
- 5
- 6 BR778P



1982-84 FIRENZA 112, 121
MUFFLER

TPH1035BP

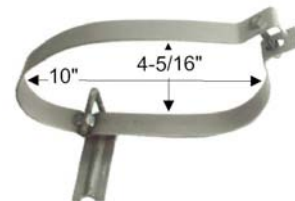
- 1
- 2
- 3
- 4
- 5
- 6 BR92192P



1994-98 ACHIEVA 2.3L, 2.4L, 3.1L
MUFFLER

TPH856B

- 1 528885
- 2 8162
- 3 TH994
- 4 F2184
- 5 35724
- 6 BR856



1985-91 CALAIS 138, 140, 151, 200, 204;
1988 121
MUFFLER

TPH230B

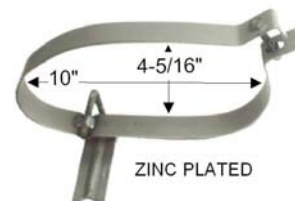
- 1 528884
- 2 8574
- 3 TH993
- 4 F1966
- 5 35943
- 6 BR351



1975-80 STARFIRE 140, 151, 3.8L "A", 3.8L "C"
MUFFLER

TPH856BP

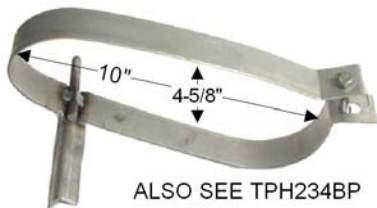
- 1
- 2
- 3
- 4
- 5
- 6 BR856P



1985-91 CALAIS 138, 140, 151, 200, 204;
1988 121
MUFFLER

TPH234B

- 1 528886
- 2 8205
- 3 TH995
- 4 F2132
- 5 35703
- 6 BR778




1982-84 FIRENZA 112, 121
MUFFLER

TPH1250B

- 1 528867
- 2 8124
- 3 TH981
- 4
- 5 35503
- 6 BR91959



1992 ACHIEVA 2.3L, 3.3L
MUFFLER

OLDSMOBILE continued	OLDSMOBILE continued
<p>TPH1256B</p> <p>1 528962 2 8225 3 TH932 4 F2142 5 35544 6 BR91968</p>  <p>1986-92 CUSTOM CRUISER 5.0L; 1992 CUSTOM CRUSIER 5.7L EXHAUST PIPE</p>	<p>TPH206B</p> <p>1 527059 2 8243 3 TH858 4 F1930 5 35679 6 BR768</p>  <p>1977-79 CUSTOM CRUISER 350L-R, 403 TAIL PIPE</p>
<p>TPH146B</p> <p>1 2 3 4 5 6</p>  <p>1964-72 CUTLASS, F-85, SPECIAL, SKYLARK EXHAUST PIPE</p>	<p>TPH207B</p> <p>1 528205 2 8598 3 TH859 4 F1963 5 35948 6 BR328</p>  <p>1978-79 CUTLASS 231, 260F, N, 305, 350N, R MUFFLER-DUAL OUTLET; MUFFLER-SINGLE OUTLET</p>
<p>TPH147B</p> <p>1 2 3 4 5 6</p>  <p>1964-72 CUTLASS, F-85, SPECIAL, SKYLARK EXHAUST PIPE</p>	<p>TPH208B</p> <p>1 528902 2 8599 3 TH860 4 F1934 5 35464 6 BR331</p>  <p>1978-79 CUTLASS 231, 260F, P, 305, 350L, N, MUFFLER-DUAL OUTLET; MUFFLER-SINGLE OUTLET</p>
<p>TPH199B</p> <p>1 525583 2 8568 3 H1257 4 F1776 5 35941 6 BR320</p>  <p>1977-85 DELTA 88 & ROYALE, 98 LUXURY & REGENCY 231, 252, 260, 301, 307, 350G, L, R; 1978-80 DELTA 88 & ROYALE, 98 LUXURY & REGENCY 350N TAIL PIPE</p>	<p>TPH213B</p> <p>1 527069 2 8217 3 TH885 4 F1932 5 35547 6 BR720</p>  <p>1982-85 CIERA 151, 181, 260D; 1984-88 CIERA 231 (Exc. STATION WAGON) EXHAUST PIPE-2ND PIPE</p>

BRACKETS

OEM TYPE BRACKETS AND HANGERS

OLDSMOBILE continued

OLDSMOBILE continued

TPH214B

- 1 527067
- 2 8247
- 3 TH886
- 4 F1943
- 5 35546
- 6 BR723



1980-88 CUTLASS 231, 260D, 305, 307, 350R-N
MUFFLER-LEFT

TPH857B

- 1 528877
- 2 8116
- 3 TH985
- 4
- 5 35704
- 6 BR857



1984-86 FIRENZA 121, 173
EXHAUST PIPE-2ND PIPE

TPH218B

- 1 529063
- 2
- 3 TH902
- 4 F1988
- 5 35377
- 6 BR672



1978-79 DELTA 88, 98 REGENCY 403
TAIL PIPE

TPH858B

- 1 523150
- 2 8199
- 3 TH963
- 4 F2183
- 5 35285
- 6 BR858



1985-87 CALAIS 181;
1984-87 FIRENZA 112, 121, 173
MUFFLER-FRONT

TPH632B

- 1 523469
- 2 8476
- 3 TH346
- 4 F1274
- 5 35541
- 6 BR231



1974-77 CUTLASS 231, 250, 260, 350, 403, 455;
1968-69 CUTLASS, F85 350, 400; 1968-71 250
TAIL PIPE

TPH870B

- 1 528100
- 2 8200
- 3 TH964
- 4 F2185
- 5 35720
- 6 BR870



1992 ACHIEVA 138; 1985-87 CALAIS 181;
1984-87 FIRENZA 112, 121, 173
MUFFLER-REAR

TPH852B

- 1
- 2 8201
- 3
- 4 F2165
- 5
- 6 BR852











1982-84 FIRENZA 112G, 121
EXHAUST PIPE-2ND PIPE

TPH1026B

- 1 529040
- 2 8018
- 3 TH1064
- 4 F2348
- 5
- 6 BR92215


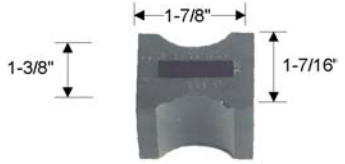



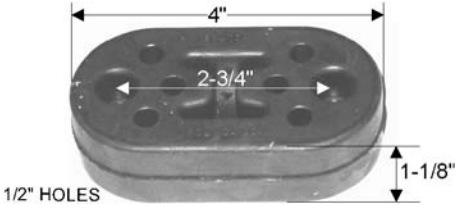
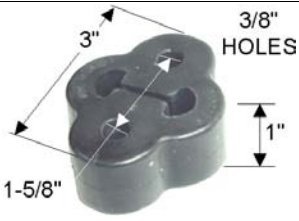



1992-96 ACHIEVA
EXHAUST PIPE

OLDSMOBILE continued	OLDSMOBILE continued
<p>TPH1318B</p> <p>1 2 3 4 F2322 5 35262 6 BR92074</p>  <p>3/8" BOLT HOLES 4-1/8"</p> <p>1994 ACHIEVA 138 (2.3L), 189 (31.L) MUFFLER-DUAL-LEFT; MUFFLER-UPPER</p>	<p>TPH227B</p> <p>1 2 3 4 5 6 BR316</p>  <p>COMBINATION TPH201B TPH195B TPH193B</p> <p>1975-76 DELTA 88 & ROYALE, 98 LUXURY & REGENCY 350, 400, 455; 1975-78 TORONADO 403, 455; 1975-77 CUTLASS, VISTA CRUISER 231, 250, 350, 403, 455 MUFFLER</p>
<p>TPH188B</p> <p>1 529051 2 8487 3 TH503 4 F1544 5 35527 6 BR193</p>  <p>1973-74 OMEGA 250, 350; 1975-76 350; 1977-79 305, 350L TAIL PIPE-DUAL-RIGHT; TAIL PIPE-SINGLE</p>	<p>TPH793B</p> <p>1 529558 2 8223 3 TH921 4 F2105 5 35462 6 BR793</p>  <p>ALSO SEE TPH220B & TPH232B</p> <p>1980-84 OMEGA 151, 173; 1982-85 CIERA 151, 181 (Exc. STATION WAGON) EXHAUST PIPE-2ND PIPE</p>
<p>TPH191LB</p> <p>1 528703 2 8241 3 TH824 4 F1482 5 35705 6 BR359</p>  <p>1975-80 STARFIRE 140, 151, 231A, 231C; 1975-79 OMEGA 231A, 231C, 250, 260, 305, 350R TAIL PIPE</p>	<p>FEH1192</p> <p>1 528982 2 8106 3 TH1047 4 F2271 5 35229 6 BR91936</p>  <p>1988-91 CUTLASS 2.3L, 2.8L, 3.1L EXHAUST PIPE; MUFFLER-REAR</p>
<p>TPH202B</p> <p>1 524514 2 8573 3 H1258 4 F1965 5 35270 6 BR323</p>  <p>1977-90 CUSTOM CRUISER, DELTA 77 & ROYALE, 98 LUXURY & REGENCY 231 (Exc. 86-91), 252, 260, 307, 350G, L, N, R, 403 MUFFLER</p>	<p>FEH1196</p> <p>1 528983 2 3 TH1048 4 F2272 5 35230 6 BR91937</p>  <p>1988-92 CUTLASS 2.3L, 2.8L, 3.1L, 3.4L MUFFLER-FRONT</p>

BRACKETS

OEM TYPE BRACKETS AND HANGERS

OLDSMOBILE continued	OLDSMOBILE continued
<p>FEH554</p> <ol style="list-style-type: none"> 1 528802 2 9959 3 TH520 4 F1565 5 35391 6 BR554  <p>1985-92 DELTA 88, 98 REGENCY 181, 231, 260D; 1986-92 TORONADO 231; 1988-93 CUTLASS 138, 173, 189 EXHAUST PIPE-2ND PIPE; MUFFLER-REAR</p>	<p>TPH193B</p> <ol style="list-style-type: none"> 1 528761 2 8493 3 TH748 4 F1630 5 35046 6 BR268 <p>ALSO SEE , TPH201B, TPH195B, THP227B,</p>  <p>1975-76 DELTA 88 & ROYALE, 98 LUXURY & REGENCY 350, 400, 455; 1975-78 TORONADO 403, 455; 1975-77 CUTLASS, VISTA CRUISER 231, 250, 350, 403, 455 MUFFLER</p>
<p>TH1013B</p> <ol style="list-style-type: none"> 1 528904 2 3 TH1013 4 5 35013 6 BR92061  <p>1986-93 88 ROYALE, CUSTOM CRUISER, DELTA 88, REGENCY 88 & 98, TORONADO 3.8L 3RD. PIPE</p>	<p>TPH220B</p> <ol style="list-style-type: none"> 1 529558 2 8223 3 TH921 4 F2105 5 35462 6 BR674  <p>ALSO SEE TPH793B & TPH232B</p> <p>1980-84 OMEGA 151, 173; 1982-85 CIERA 151, 181 (Exc. STATION WAGON) MUFFLER-REAR</p>
<p>TH1066B</p> <ol style="list-style-type: none"> 1 529042 2 3 TH1066 4 F2347 5 6 BR92062  <p>1992-94 BRAVADA 4.3L 2ND PIPE</p>	<p>TPH461B</p> <ol style="list-style-type: none"> 1 529026 2 8202/8208 3 TH970 4 F2182 5 35750 6 BR407  <p>1991-92 TORONADO 3.8L (Exc. TROFEO) 2ND PIPE</p>
<p>TPH1314B</p> <ol style="list-style-type: none"> 1 2 3 4 5 6 BR92038  <p>1992-94 CIERA, CUTLASS 2.2L, 3.1L, 3.3L EXHAUST PIPE-2ND PIPE; CONVERTER; MUFFLER</p>	<p>TPH863B</p> <ol style="list-style-type: none"> 1 528921 2 8161 3 TH965 4 F2138 5 35259 6 BR863  <p>1985-93 DELTA 88 & ROYALE, 98 REGENCY, TORONADO 181, 231, 260D; 1984-93 CIERA STATION WAGON 151, 173, 181, 204, 260D TAIL PIPE; EXHAUST PIPE-2ND PIPE</p>

OLDSMOBILE continued **OLDSMOBILE continued**

TPH874B

- 1 523200
- 2 8202
- 3 TH962
- 4 F2344
- 5
- 6 BR874



1985-91 CALAIS 138, 140, 151, 181, 200, 204;
1983-88 FIRENZA 121, 173; 1983-84 112
EXHAUST PIPE-2ND PIPE

TPH223B

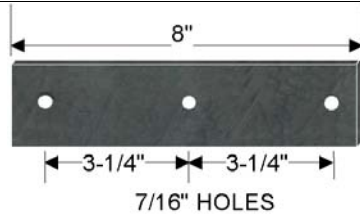
- 1 529064
- 2 8224
- 3 TH931
- 4 F2101
- 5
- 6 BR783



1984-85 CIERA 231(3.8L), 1982-85 181;
1980-84 OMEGA 173(2.8L)
EXHAUST PIPE-2ND PIPE

TPH1036B

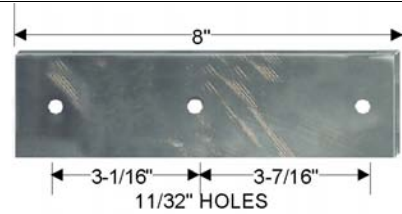
- 1 528872
- 2 8201
- 3 TH972
- 4 F1931
- 5
- 6 BR876



1982-84 FIRENZA 1.8L, 1983-86 FIRENZA 2.0L;
1985-86 FIRENZA 2.8L
2ND PIPE

TPH781B

- 1 529017
- 2 8204
- 3 TH935
- 4 F2140
- 5 35261
- 6 BR91973



1989-90 CIERA 3.3L:
MUFFLER-DUAL RIGHT; MUFFLER-SINGLE

TPH1242B

- 1 524750
- 2 8228
- 3 TH933
- 4 F2159
- 5 35551
- 6 BR790



1980-85 CIERA, OMEGA 151(2.5L), 173(2.8L)
2ND PIPE

FW200

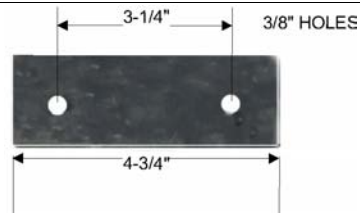
- 1
- 2
- 3
- 4 F2331
- 5 35242
- 6 BR92024



1988-92 CUTLASS 2.3L, 2.8L, 3.1L
MIDDLE PIPE

TPH1310B

- 1
- 2
- 3
- 4 F2330
- 5 35240
- 6 BR92026



1991-92 CUTLASS 3.4L
TAIL PIPE-LEFT INLET

FW886


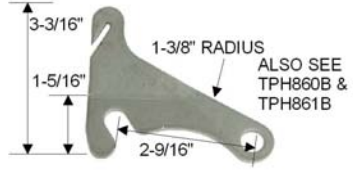

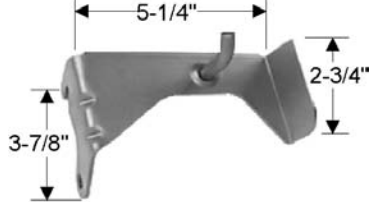

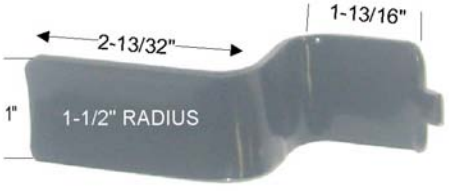
- 1
- 2 8121
- 3
- 4
- 5 35247
- 6 BR408

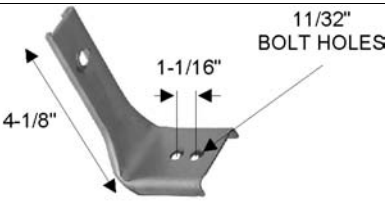



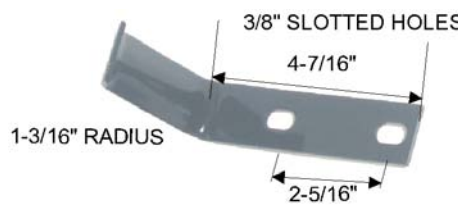
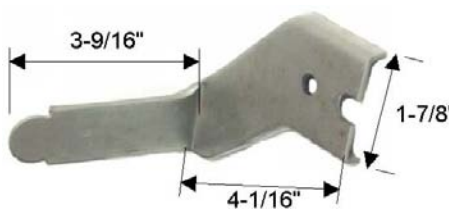




1988-92 DELTA 88, 98 REGENCY 3.8L
CONNECTOR PIPE

BRACKETS

OEM TYPE BRACKETS AND HANGERS

OPEL	PONTIAC
<p>FEH552</p> <p>1 528954 2 8511 3 TH826 4 F1914 5 35353 6 BR552</p>  <p>1976-78 OPEL ISUZU 1.8L TAIL PIPE</p>	<p>FW887</p> <p>1 2 3 4 F2427 5 35010 6 BR92100</p>  <p>1990-91 6000 151 (2.5L), 189 (3.1L) CONVERTER</p>
<p>FEH880</p> <p>1 528960 2 8537 3 H1243 4 F1915 5 35385 6 BR549</p>  <p>1968-78 1900, ASCONA, GT, MANTA, RALLYE 1196cc (1.2L), 1897cc (1.9L); 1965-78 KADETT 1078cc (1.1L) MUFFLER</p>	<p>TPH1016B</p> <p>1 529097 2 3 TH1099 4 5 6 BR92163</p>  <p>1994 GRAND PRIX 3.1L(189 M) CONVERTER-REAR</p>
	<p>TPH1197B</p> <p>1 2 3 4 F2115 5 6 BR91928</p>  <p>1983 BONNEVILLE, GRAND PRIX 305H TAIL PIPE</p> <hr/> <p>TPH131B</p> <p>1 523006 2 8485 3 TH483 4 F1529 5 35175 6 BR129</p>  <p>1971-76 BONNEVILLE, CATALINA, GRANDVILLE 350, 400, 455 TAIL PIPE-DUAL; TAIL PIPE-SINGLE</p>

PONTIAC continued	PONTIAC continued
<p>TPH1326B</p> <p>1 2 8111 3 4 5 6 BR92205</p>  <p>11/32" BOLT HOLES 1-1/16" 4-1/8"</p> <p>1985-90 SAFARI 2.5L(151); 1985-91 SAFARI 4.3L(262) MUFFLER-REAR; CONNECTOR PIPE</p>	<p>TPH201B</p> <p>1 523467 2 8498 3 H1161 4 F1629 5 35662 6 BR261</p>  <p>2-9/16" 2" 1-3/4"</p> <p>1975-86 CATALINA, BONNEVILLE, GRANDVILLE, PARISINNE 229, 231, 265, 301, 305, 307, 350N, P, R, X. 400, 403. 1977-79 STATION WAGON 400, 403 MUFFLER</p>
<p>TPH180B</p> <p>1 523462 2 8557 3 TH498 4 F1526 5 35661 6 BR124</p>  <p>3-1/4" 5/16" HOLES</p> <p>1971-72 BONNEVILLE, CATALINA, GRANDVILLE 400, 455 WITHOUT RESONATOR TAIL PIPE</p>	<p>TPH212B</p> <p>1 527070 2 9961 3 H1261 4 F1933 5 35092 6 BR676</p>  <p>1980-84 PHOENIX 151, 173; 1982-85 6000 151, 173, 260D (Exc. STATION WAGON); 1990-93 TRANSPORT VAN 189, 231 MUFFLER-REAR</p>
<p>TPH190B</p> <p>1 523928 2 8215 3 H1256 4 F1897 5 35358 6 BR318</p>  <p>3/8" SLOTTED HOLES 4-7/16" 1-3/16" RADIUS 2-5/16"</p> <p>1975-81 231, 301 250, 305, 350P,R, 400, 403, 455; 1975-79 PHOENIX VENTURA II 151, 231, 250, 260, 301, 305, 350 MUFFLER-DUAL OUTLET; TAIL PIPE</p>	<p>TPH225B</p> <p>1 529078 2 8178 3 TH1081 4 F2130 5 35716 6 BR739</p>  <p>3-9/16" 1-7/8" 4-1/16"</p> <p>1983-84 PHOENIX 173Z(2.8L) TAILPIPE-DUAL OUTLET RIGHT</p>
<p>TPH195B</p> <p>1 528702 2 8494 3 TH751 4 F1628 5 35181 6 BR267</p>  <p>ALSO SEE TPH193B, TPH201B, TPH227B 4-1/4" 1-3/16" 3/8" x 11/16"</p> <p>1975-77 GRAND PRIX 301, 350P,R, 403, 400, 455; 1975-77 GRAND AM, LEMANS 231, 250, 260, 301, 305, 350R, 400, 403, 455 MUFFLER</p>	<p>TPH232B</p> <p>1 2 3 4 5 6 BR675</p>  <p>ALSO SEE TPH793B & TPH220B</p> <p>1980-84 PHOENIX 151, 173; 1982-85 6000 151, 173, 260D (Exc. STATION WAGON) MUFFLER-REAR</p>

BRACKETS

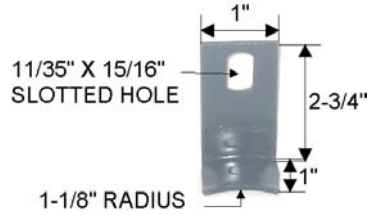
OEM TYPE BRACKETS AND HANGERS

PONTIAC continued

PONTIAC continued

TPH235B

- 1
- 2
- 3 H1173
- 4 F1905
- 5
- 6 BR670



1982-83 FIREBIRD 151, 173, 305H;
1978-79 BONNEVILLE, CATALINA 350R, 403
TAIL PIPE

TPH861B

- 1
- 2
- 3
- 4 F3909
- 5
- 6 BR92190



1987 6000 2.5L; 1990-91 6000 2.5L;
1986-89 6000 2.8L
CONVERTER-REAR

TPH769B

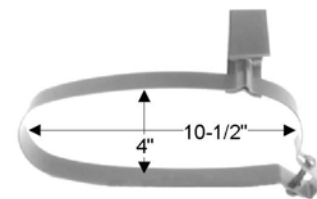
- 1
- 2 8253
- 3
- 4 F1947
- 5
- 6 BR773



1980-81 CATALINA, BONNEVILLE, SAFARI STATION
WAGON 301, 307, 350N-R; 1986-89 307Y;
1983-84 PARISIENNE STATION WAGON 350N-6
TAIL PIPE

TPH1003B

- 1
- 2 8062
- 3
- 4
- 5
- 6 BR92114



1992-94 SUNBIRD 122 (2.4L), 189 (3.1L)
MUFFLER

TPH77B

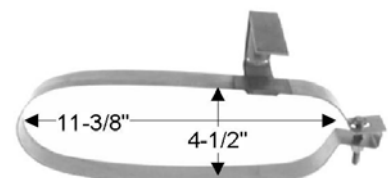
- 1 529013
- 2
- 3 TH925
- 4 F1989
- 5 35098
- 6 BR784



1984-88 FIREBIRD 2.8L, 5.0L
TAIL PIPE

TPH1035B

- 1 529106
- 2 8014
- 3 TH1120
- 4 F2415
- 5 36153
- 6 BR92192



1994-96 GRAND AM 2.3L, 2.4L, 3.1L
MUFFLER

TPH860B

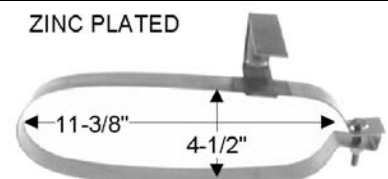
- 1
- 2
- 3
- 4 F3908
- 5 35893
- 6 BR92111




1986-91 6000 151(2.5L)
CONVERTER

TPH1035BP

- 1
- 2
- 3
- 4
- 5
- 6 BR92192P




1994-96 GRAND AM 2.3L, 2.4L, 3.1L
MUFFLER

PONTIAC continued	PONTIAC continued
<p>TPH230B</p> <p>1 528884 2 8574 3 TH993 4 F1966 5 35943 6 BR351</p>  <p>1976-80 SUNBIRD 140, 151, 3.8L "A", 3.8L "C" (Exc. STATION WAGON) MUFFLER</p>	<p>TPH856BP</p> <p>1 2 3 4 5 6 BR856P</p>  <p>1985-91 GRAND AM 121, 140, 151; 1990-93 138 (Exc. H.O.); 1988-93 SUNBIRD 121, 189 MUFFLER</p>
<p>TPH234B</p> <p>1 528886 2 8205 3 TH995 4 F2132 5 35703 6 BR778</p>  <p>1982-84 J2000 112, 121 MUFFLER</p>	<p>TPH1193B</p> <p>1 529077 2 3 TH1080 4 5 35245 6 BR91947</p>  <p>1983-92 FIREBIRD 2.5L, 2.8L, 5.0L; 1990-92 FIREBIRD 5.7L EXHAUST PIPE</p>
<p>TPH234BP</p> <p>1 2 3 4 5 6 BR778P</p>  <p>1982-84 J2000 112, 121 MUFFLER</p>	<p>TPH1250B</p> <p>1 528867 2 8124 3 TH981 4 5 35503 6 BR91959</p>  <p>1992 GRAND AM 2.3L, 3.3L MUFFLER</p>
<p>TPH856B</p> <p>1 528885 2 8162 3 TH994 4 F2184 5 35724 6 BR856</p>  <p>1985-91 GRAND AM 121, 140, 151; 1990-93 138 (Exc. H.O.); 1988-93 SUNBIRD 121, 189 MUFFLER</p>	<p>TPH1256B</p> <p>1 528962 2 8225 3 TH932 4 F2142 5 35544 6 BR91968</p>  <p>1986 PARISIENNE 5.0L EXHAUST PIPE</p>

BRACKETS




OEM TYPE BRACKETS AND HANGERS

PONTIAC continued		PONTIAC continued	
<p>TPH146B</p> <p>1 2 3 4 5 6</p>  <p>1969-72 GRAND PRIX, MONTE CARLO EXHAUST PIPE</p>	<p>TPH206B</p> <p>1 527059 2 8243 3 TH858 4 F1930 5 35679 6 BR768</p>  <p>1977-79 CATALINA, SAFARI STATION WAGON 301, 350, 400, 403 TAIL PIPE</p>		
<p>TPH147B</p> <p>1 2 3 4 5 6</p>  <p>1969-72 GRAND PRIX, MONTE CARLO EXHAUST PIPE</p>	<p>TPH207B</p> <p>1 528205 2 8598 3 TH859 4 F1963 5 35948 6 BR328</p>  <p>1978-79 LEMANS, GRAND LEMANS 231, 301, 305. MUFFLER-DUAL OUTLET; MUFFLER-SINGLE OUTLET</p>		
<p>TPH166B</p> <p>1 2 3 4 5 6</p>  <p>1967-69 FIREBIRD EXHAUST PIPE-REAR</p>	<p>TPH208B</p> <p>1 528902 2 8599 3 TH860 4 F1934 5 35464 6 BR331</p>  <p>1978-79 BONNEVILLE, GRAND PRIX 231, 301, 305; 1978-79 GRAND LEMANS, LEMANS, 231, 301, 305, 350. MUFFLER-DUAL OUTLET; MUFFLER-SINGLE OUTLET</p>		
<p>TPH199B</p> <p>1 525583 2 8568 3 H1257 4 F1776 5 35941 6 BR320</p>  <p>1977-86 BONNEVILLE, CATALINA, PARISIENNE (Exc. STATION WAGON) 229, 231, 265, 301, 305, 307, 350P, R. X. 400, 403; 1980 BONNEVILLE, CATALINA TAIL PIPE</p>	<p>TPH213B</p> <p>1 527069 2 8217 3 TH885 4 F1932 5 35547 6 BR720</p>  <p>1980-84 PHOENIX 151, 173; 1982-85 6000 151, 173, 260D (Exc. STATION WAGON) EXHAUST PIPE-2ND PIPE</p>		

PONTIAC continued	PONTIAC continued
<p>TPH214B</p> <p>1 527067 2 8247 3 TH886 4 F1943 5 35546 6 BR723</p>  <p>1980-81 LEMANS 229, 231, 265, 301, 305; 1980-87 BONNEVILLE, GRAND PRIX 231, 252, 265, 301, 305, 350N MUFFLER-LEFT</p>	<p>TPH632B</p> <p>1 523469 2 8476 3 TH346 4 F1274 5 35541 6 BR231</p>  <p>1969-77 GRAND PRIX 350M-N-R, 400, 403, 455 ; 1975-77 LEMANS 231, 250, 260F, 301, 350E-H-J-M-P- R, 400, 403, 455; 1964-70 GTO, LEMANS 350, 389, 400, 455; 1970-72 250 TAIL PIPE</p>
<p>TPH217B</p> <p>1 527068 2 8246 3 TH900 4 F1987 5 35464 6 BR740</p>  <p>1980-84 BONNEVILLE, GRAND PRIX, LEMANS 252, 265, 305, 301, 350N; 1980-81 229, 231 TAIL PIPE-DUAL OUTLET RIGHT; TAIL PIPE</p>	<p>TPH852B</p> <p>1 2 8201 3 4 F2165 5 6 BR852</p>  <p>FOR RUBBER STRAP ONLY USE TPH1036B</p> <p>1982-84 J2000 112G, 121 EXHAUST PIPE-2ND PIPE</p>
<p>TPH218B</p> <p>1 529063 2 3 TH902 4 F1988 5 35377 6 BR672</p>  <p>1978-79 BONNEVILLE, CATALINA 403 (Calif. only) TAIL PIPE</p>	<p>TPH857B</p> <p>1 528877 2 8116 3 TH985 4 5 35704 6 BR857</p>  <p>1984-86 SUNBIRD 121 EXHAUST PIPE-2ND PIPE</p>
<p>TPH222B</p> <p>1 528903 2 8165 3 TH930 4 F2158 5 35475 6 BR779</p>  <p>1982-93 FIREBIRD 151, 173, 189, 305E-F-G-H, 350-8 TAIL PIPE-SINGLE OUTLET; TAIL PIPE-DUAL OUTLET RIGHT</p>	<p>TPH858B</p> <p>1 523150 2 8199 3 TH963 4 F2183 5 35285 6 BR858</p>  <p>1985-87 GRAND AM 181; 1989-91 138 H.O.; 1984-87 SUNBIRD 112, 121, MUFFLER-FRONT</p>

BRACKETS

OEM TYPE BRACKETS AND HANGERS

PONTIAC continued	PONTIAC continued
<p>TPH870B</p> <p>1 528100 2 8200 3 TH964 4 F2185 5 35720 6 BR870</p>  <p>1985-87 GRAND AM 181; 1984-87 SUNBIRD 112. 121 MUFFLER-REAR</p>	<p>TPH1318B</p> <p>1 2 3 4 F2322 5 35262 6 BR92074</p>  <p>1994 GRAND AM 138 (2.3L), 189 (3.1L); 1992-94 SUNBIRD 122 (2.0L). 189 (3.1L) MUFFLER-UPPER</p>
<p>TH1050B</p> <p>1 528985 2 3 TH1050 4 8024 5 35648 6 BR91951</p>  <p>1982-92 FIREBIRD 5.0L. 5.7L MUFFLER</p>	<p>TPH188B</p> <p>1 529051 2 8487 3 TH503 4 F1544 5 35527 6 BR193</p>  <p>1970-76 FIREBIRD 250; 1970-76 350, 400; 1976-81 231; 1978-81 265, 267, 301, 305H; 1977-79 PHOENIX 231, 301, 305, 350L; 1977-79 VENTURA 305, 350L, 350R; 1973-74 VENTURA II 250. 350; 1975-76 350 TAIL PIPE-DUAL-RIGHT; TAIL PIPE-SINGLE</p>
<p>TPH1026B</p> <p>1 529040 2 8018 3 TH1064 4 F2348 5 6 BR92215</p>  <p>1992-96 GRAND AM, 2.3L, 2.4L, 3.1L, 3.3L; 1992-98 SUNFIRE 2.0L, 2.2L, 2.3L, 2.4L, 3.1L EXHAUST PIPE</p>	<p>TPH191LB</p> <p>1 528703 2 8241 3 TH824 4 F1482 5 35705 6 BR359</p>  <p>1975-81 FIREBIRD 231A, 231C, 265, 301, 305, 350, 400, 403, 455; 1975-79 PHOENIX 151, 231A, 231C, 250, 260, 301, 305, 350L, R; 1976-80 SUNBIRD 151, 231A, 231C (Exc. STATION WAGON) TAIL PIPE</p>
<p>TPH1312B</p> <p>1 2 8102 3 4 F2272 5 6 BR92001</p>  <p>1988-92 GRAND PRIX 2.8L, 3.1L, 3.4L MUFFLER-DUAL RIGHT</p>	<p>TPH202B</p> <p>1 524514 2 8573 3 H1258 4 F1965 5 35270 6 BR323</p>  <p>1977-86 BONNEVILLE, CATALINA, PARISIENNE, SAFARI (INCLUDES STATION WAGON) 229, 231(84 ONLY), 265, 301, 305, 307, 350N, P, R, X, 400, 403 MUFFLER</p>

PONTIAC continued	PONTIAC continued
<p>TPH227B</p> <p>1 2 3 4 5 6 BR316</p>  <p>COMBINATION TPH201B TPH195B TPH193B</p> <p>1975-77 GRAND PRIX 301, 350P,R, 403, 400, 455; 1975-77 GRAND AM, LEMANS 231, 250, 260, 301, 305, 350R, 400, 403, 455 MUFFLER</p>	<p>FEH554</p> <p>1 528802 2 9959 3 TH520 4 F1565 5 35391 6 BR554</p>  <p>1-7/16" 2-3/8"</p> <p>1981-87 T10001.6L; 1988-93 GRAND PRIX 173, 189; 1987-92 BONNEVILLE 231 MUFFLER-REAR; 2ND PIPE</p>
<p>TPH793B</p> <p>1 529558 2 8223 3 TH921 4 F2105 5 35462 6 BR793</p>  <p>ALSO SEE TPH220B & TPH232B</p> <p>1980-84 PHOENIX 151, 173; 1982-85 6000 151, 173, 260D (Exc. STATION WAGON) EXHAUST PIPE-2ND PIPE</p>	<p>TH1013B</p> <p>1 528904 2 3 TH1013 4 5 35013 6 BR92061</p>  <p>1" 3/8"</p> <p>1987-93 BONNEVILLE 3.8L 3RD. PIPE</p>
<p>FEH1192</p> <p>1 528982 2 8106 3 TH1047 4 F2271 5 35229 6 BR91936</p>  <p>3-1/2" 2" 1-1/8"</p> <p>1/2" HOLES</p> <p>1988-91 GRAND PRIX 2.3L, 2.8L, 3.1L EXHAUST PIPE; MUFFLER-REAR</p>	<p>TH986B</p> <p>1 528878 2 8114 3 TH986 4 F2214 5 35283 6 BR91965</p>  <p>4-1/8" 1-3/8"</p> <p>1989-91 LEMANS 1.6L, 2.0L MUFFLER</p>
<p>FEH1196</p> <p>1 528983 2 3 TH1048 4 F2272 5 35230 6 BR91937</p>  <p>3-7/8" 1/2" HOLES 1-1/8"</p> <p>1988-91 GRAND PRIX 2.3L, 2.8L, 3.1L MUFFLER-FRONT</p>	<p>TPH1168B</p> <p>1 2 8115 3 4 F2279 5 35639 6 BR91979</p>  <p>2-1/8" 2-11/16"</p> <p>1988-91 LEMANS 1.6L; 1989-90 LEMANS 2.0L CONVERTER</p>

BRACKETS

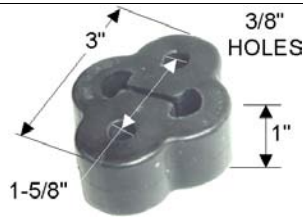
OEM TYPE BRACKETS AND HANGERS

PONTIAC continued

PONTIAC continued

TPH1314B

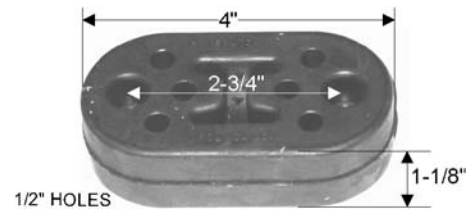
- 1
- 2
- 3
- 4
- 5
- 6 BR92038



1994 GRAND PRIX 3.1L
MUFFLER; EXHAUST PIPE-2ND PIPE; CONVERTER

TPH461B

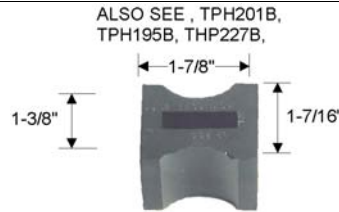
- 1 529026
- 2 8202/8208
- 3 TH970
- 4 F2182
- 5 35750
- 6 BR407



1985-89 FIREBIRD 2.8L; 1990-92 3.1L
2ND PIPE

TPH193B

- 1 528761
- 2 8493
- 3 TH748
- 4 F1630
- 5 35046
- 6 BR268



1975-77 GRAND PRIX 301, 350P,R, 403, 400, 455;
1975-77 GRAND AM, LEMANS 231, 250, 260, 301,
305, 350R, 400, 403, 455
MUFFLER

TPH863B

- 1 528921
- 2 8161
- 3 TH965
- 4 F2138
- 5 35259
- 6 BR863



1988-93 BONNEVILLE 231; 1984-91 6000 STATION
WAGON 151, 173, 189, 260D
TAILPIPE-SINGLE OUTLET; EXHAUST PIPE-2ND PIPE; TAIL PIPE

TPH220B

- 1 529558
- 2 8223
- 3 TH921
- 4 F2105
- 5 35462
- 6 BR674



ALSO SEE TPH793B & TPH232B

1980-84 PHOENIX 151, 173; 1982-85 6000 151, 173,
260D (Exc. STATION WAGON)
MUFFLER-REAR

TPH874B

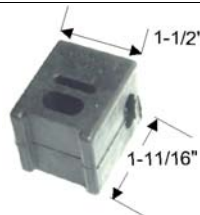
- 1 523200
- 2 8202
- 3 TH962
- 4 F2344
- 5
- 6 BR874



1985-91 GRAND AM 121, 138, 140, 151, 181;
1987-91 SUNBIRD 121; 1983-85 112
EXHAUST PIPE-2ND PIPE

TPH226B

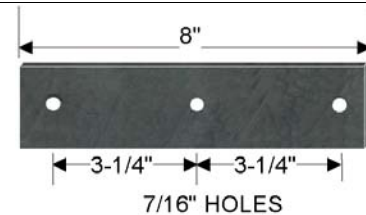
- 1 527072
- 2 8207
- 3 TH967
- 4 F1946
- 5 35545
- 6 BR712





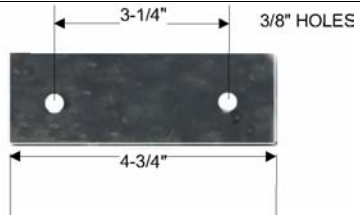



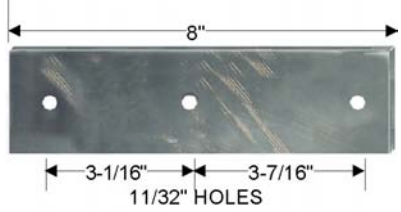

1981-87 T-1000 98 (1.6L)
TAIL PIPE

TPH1036B

- 1 528872
- 2 8201
- 3 TH972
- 4 F1931
- 5
- 6 BR876

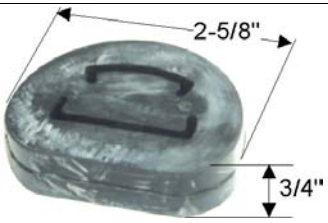
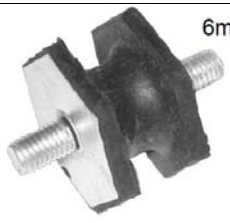






1986 PARISIENNE 5.0L; 1984-87 J2000, GRAND AM,
SUNDIRD 1.8L, 2.0L, 2.8L
2ND PIPE; TAIL PIPE

PONTIAC continued	PONTIAC continued
<p>TPH1242B</p> <ol style="list-style-type: none"> 1 524750 2 8228 3 TH933 4 F2159 5 35551 6 BR790  <p style="text-align: center;">1980-85 6000, PHOENIX 151(2.5L), 173(2.8L) 2ND PIPE</p>	<p>TPH422B</p> <ol style="list-style-type: none"> 1 528887 2 8163 3 TH996 4 5 35722 6 BR422  <p style="text-align: center;">1984-88 FIERO 151 (2.5L), 173 (2.8L) MUFFLER</p>
<p>TPH1310B</p> <ol style="list-style-type: none"> 1 2 3 4 F2330 5 35240 6 BR92026  <p style="text-align: center;">1988-91 GRAND PRIX 2.8L, 3.1L TAIL PIPE-LEFT INLET</p>	<p>TH1083B</p> <ol style="list-style-type: none"> 1 529080 2 3 TH1083 4 F2329 5 35310 6 BR91980  <p style="text-align: center;">USE WITH 1-3/4" MUFFLER CLAMP 3/8 U-BOLT</p> <p style="text-align: center;">1988-92 LEMANS 1.6L; 1988-90 LEMANS 2.0L CONVERTER</p>
<p>TPH223B</p> <ol style="list-style-type: none"> 1 529064 2 8224 3 TH931 4 F2101 5 6 BR783  <p style="text-align: center;">1980-85 6000, PHOENIX 173(2.8L); EXHAUST PIPE-2ND PIPE</p>	<p>FW200</p> <ol style="list-style-type: none"> 1 2 3 4 F2331 5 35242 6 BR92024  <p style="text-align: center;">1989-92 GRAND PRIX 2.3L, 2.8L, 3.1L MIDDLE PIPE</p>
<p>TPH781B</p> <ol style="list-style-type: none"> 1 529017 2 8204 3 TH935 4 F2140 5 35261 6 BR91973  <p style="text-align: center;">1982-84 J2000, SUNBIRD 1.8L; 1980-87 BONNEVILLE, GRAND PRIX 3.8L, 4.3L, 5.0L MUFFLER-SINGLE; MUFFLER-DUAL RIGHT</p>	<p>FW886</p> <ol style="list-style-type: none"> 1 2 8121 3 4 5 35247 6 BR408  <p style="text-align: center;">1988-92 BONNEVILLE 3.1L CONNECTOR PIPE</p>

BRACKETS

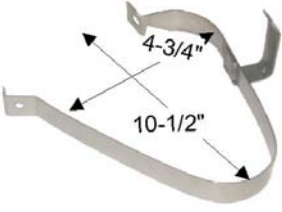

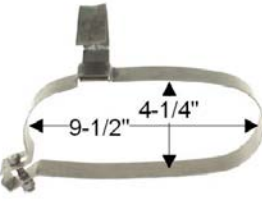

OEM TYPE BRACKETS AND HANGERS

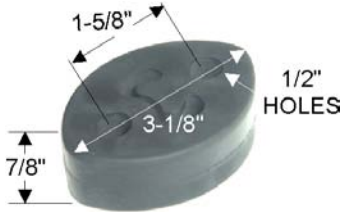

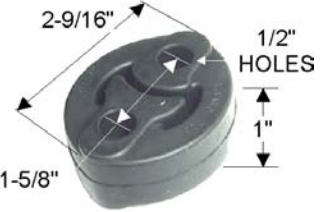




<p>PORSCHE</p>	<p>RENAULT</p>
<p>FEH460</p> <p>1 529035 2 3 TH1059 4 F1970 5 35204 6 BR442</p>  <p>1976-85 924 1984cc (2.0L); 1986-88 924S 2497cc (2.5L); 1982-89 944 2497cc (2.5L) FRONT MUFFLER-REAR</p>	<p>FEH642</p> <p>1 529284 2 8294 3 TH909 4 F2108 5 35144 6 BR607</p>  <p>1976-83 R5, LECAR 1289cc (1.3L), 1397cc (1.4L) REAR MUFFLER-REAR; CONNECTOR PIPE</p>
<p>TH1058B</p> <p>1 2 3 4 F2161 5 35470 6 BR444</p>  <p>1987-88 924S 2.5L 1983-88 944, 944S 2.5L: TAIL PIPE</p>	<p>FEH554</p> <p>1 528802 2 9959 3 TH520 4 F1565 5 35391 6 BR554</p>  <p>1973-74 R12 1.6L; 1972-76 R15 1.6L; 1972-78 R17 1.6L; 1982-85 FUEGO 1647cc (1.6L), 2165cc (2.2L); 1980-86 R18i 1647cc (1.6L), 2165cc (2.2L) MUFFLER</p>
	<p>TPH833B</p> <p>1 528919 2 8211 3 TH949 4 F2117 5 35709 6 BR821</p>  <p>1983-87 ALLAINCE, ENCORE 1.4L, 1.7L TAIL PIPE</p> <hr/> <p>TPH834B</p> <p>1 528918 2 8210 3 TH948 4 F2116 5 35708 6 BR820</p>  <p>1983-87 ALLAINCE, ENCORE 1.4L, 1.7L MUFFLER-FRONT</p>

SAAB	SAAB continued
<p>FEH358</p> <ol style="list-style-type: none"> 1 529559 2 8544 3 TH879 4 F1798 5 6 BR581  <p>1967-73 95 & 96 SERIES 1498cc (1.5L), 1699cc (1.7L); 1970-80 99 SERIES 1709cc (1.7L), 1854cc (1.85L), 1985cc (2.0L); 1979-80 900 SERIES 1985cc (2.0L) MUFFLER-REAR</p>	<p>TPH1008B</p> <ol style="list-style-type: none"> 1 2 3 4 5 6 BR92147  <p>1986-94 9000 2.0L, 2.3L EXHAUST PIPE; CONVERTER; MUFFLER</p>
<p>FEH406</p> <ol style="list-style-type: none"> 1 528963 2 8545 3 TH958 4 F1969 5 35918 6 BR822  <p>1975-80 99 SERIES 1985cc (2.0L) ; 1979-93 900 SERIES 1985cc (2.0L), 2119cc (2.1L) MUFFLER</p>	<p>TPH1018B</p> <ol style="list-style-type: none"> 1 2 3 4 5 36229 6 BR92185  <p>1994 900 SERIES 2.0L, 2.3L, 2.5L MUFFLER-REAR; 2ND MUFFLER;</p>
<p>FEH554</p> <ol style="list-style-type: none"> 1 528802 2 9959 3 TH520 4 F1565 5 35391 6 BR554  <p>1971-74 99 SERIES 1709cc (1.7L), 1854cc (1.85L), 1985cc (2.0L) FRONT MUFFLER</p>	
<p>FEH869</p> <ol style="list-style-type: none"> 1 528925 2 8151 3 TH1020 4 F2163 5 35728 6 BR869  <p>1983-93 900 SERIES 1985cc (2.0L), 2119cc (2.1L) USED WITH BR875 TAIL PIPE</p>	

BRACKETS

OEM TYPE BRACKETS AND HANGERS

SATURN	STERLING
<p>TPH1331B</p> <ol style="list-style-type: none"> 1 2 8087 3 4 5 36219 6 BR92249  <p>1991-97 SC, SC1, SC2, SL, SL1, SL2, SW1, SW2 1.9L MUFFLER</p>	<p>FEH1187</p> <ol style="list-style-type: none"> 1 528923 2 8092 3 TH1018 4 5 35286 6 BR91978  <p>1987-89 825 SERIES CONVERTER</p>
<p>TPH859B</p> <ol style="list-style-type: none"> 1 529100 2 8087 3 TH1102 4 F2345 5 6 BR92090  <p>1991-97 SC, SC1, SC2, SL, SL1, SL2, SW1, SW2 1.9L MUFFLER</p>	<p>FEH952</p> <ol style="list-style-type: none"> 1 2 3 4 F2277 5 6 BR91994  <p>1989-91 827 SERIES CONVERTER</p>

SUZUKI	TOYOTA
<p>FEH1204</p> <p>1 2 3 4 F2381 5 6 BR92104</p>  <p>1 1/2" HOLES</p> <p>3-1/8"</p> <p>7/8"</p> <p>1993-95 SIDEKICK 98(1.6L) MUFFLER</p>	<p>FEH366</p> <p>1 2 8489 3 4 F1790 5 35112 6 BR558</p>  <p>2-5/16"</p> <p>13/16"</p> <p>1976-79 COROLLA 2TC (1.6L) TAIL PIPE; MUFFLER</p>
<p>FEH867</p> <p>1 528873 2 8180 3 4 F2168 5 35725 6 BR867</p>  <p>1/2" HOLES</p> <p>1-5/8"</p> <p>1"</p> <p>1986-93 SAMAURI 1324cc (1.3L), 1590cc (1.6L); 1989-93 SIDEKICK 1324cc (1.3L), 1590cc (1.6L) TAIL PIPE; MUFFLER</p>	<p>FEH554</p> <p>1 528802 2 9959 3 TH520 4 F1565 5 35391 6 BR554</p>  <p>2-3/8"</p> <p>1-7/16"</p> <p>1971-73 CARINA 2TC; 1972-85 CELICA 18R, RC, 20R 22R, REC; 1972-87 COROLLA 3KC, 2TC, 4AC, ALC, GEC, 3TC (1.8L); 1973-82 CORONA 18RC (2.0L), 20R, 22R, REC; 1978-91 CRESSIDA 4M, ME, 5ME, MGE, 3VZE ; 1972-74 MARK II 2M, 4M ; 1979-92 SUPRA 4ME, 5MGE . 3VZ, VZFE; 1980-88 TERCEL 3A, AC CONNECTOR PIPE; MUFFLER</p>
<p>FW208</p> <p>1 2 3 4 5 6 BR92020</p>  <p>1985-88 FORSCA (CANADA ONLY) CONVERTER</p>	<p>FEH867</p> <p>1 528873 2 8180 3 4 F2168 5 35725 6 BR867</p>  <p>1/2" HOLES</p> <p>1-5/8"</p> <p>1"</p> <p>1983-93 CAMARY 1CLC, CTLC, SEL, 3SFE, 5SFE, 2VZFE, 3VZ, VZFE; 1983-93 CELICA 4AC, AFE, ALC, CEC, GECL, 22R, REC; 1988-93 COROLLA 4AF AFE, AGE, LC ; 1985-91 CRESSIDA 5MGE, 3VZE; 1986-93 SUPRA 7MGE, MGTE, 3VZE, VZFE ; 1983-93 TERCEL 3AC, E, EE CONNECTOR PIPE; MUFFLER</p>
	<p>FEH880</p> <p>1 528960 2 8537 3 H1243 4 F1915 5 35385 6 BR549</p>  <p>2-3/8"</p> <p>1-1/4"</p> <p>1981-84 STARLET 1.3L; 1983-87 TERCEL 1.5L CONNECTOR PIPE; TAIL PIPE</p>

BRACKETS

OEM TYPE BRACKETS AND HANGERS

TOYOTA continued

TOYOTA TRUCK

FEH954

- 1 528987
- 2 8182
- 3 TH1052
- 4 F2289
- 5 35017
- 6 BR91992

1/2" HOLES



1988-92 CELICA 2.0L
EXHAUST PIPE; CONVERTER; MUFFLER

FEH1178

- 1
- 2
- 3
- 4
- 5 35296
- 6 BR91972

13/16" THICK

1/2" HOLES ON 1-1/2" CENTERS



1984-85 PICKUP 2.0L DIESEL; 1984-92 PICKUP 2.4L GAS & DIESEL 2WD & 4WD 2.4L, 3.0L; 1985-91 4-RUNNER 2.4L; 1988-91 4-RUNNER 3.0L MUFFLER-REAR

TPH1017B

- 1
- 2
- 3
- 4 F2399
- 5 36230
- 6 BR92183



1995-96 TERCEL, PASEO 5EFE(1.5L)
MUFFLER

FEH391

- 1 528870
- 2 8260
- 3 TH983
- 4 F2169
- 5 35111
- 6 BR433



1984-93 PICKUP 2.4L, 3.0L; 1986-90 VAN 2.2L(EXHAUST PIPE); 1984-93 4 RUNNER 2.4L, 3.0L TAIL PIPE

FW918

- 1
- 2
- 3
- 4
- 5 35139
- 6 BR92081



1983-86 CAMRY 2SEL (2.0L)
CONVERTER

FEH554

- 1 528802
- 2 9959
- 3 TH520
- 4 F1565
- 5 35391
- 6 BR554



1986-90 VAN 4YEC, 5SFE (2.2L); 1976-79 LANDCRUISER 2F (4.2L) CONNECTOR PIPE

TH1094B

- 1 529091
- 2 8073
- 3 TH1094
- 4
- 5
- 6 BR92086



1984-88 COROLLA FWD 4ALC (1.6L)
CONVERTER

FEH867

- 1 528873
- 2 8180
- 3
- 4 F2168
- 5 35725
- 6 BR867



1984-93 PICKUP 22R, RE, REC, RTEC, 2TZFE (2.4L), 3VZ, VZFE (3.0L); 1986-90 VAN 2SEL, 3YEC (2.0L), 2L, 4YEC, 5SFE, (2.2L); 1986-93 4 RUNNER 22R, RE, REC, RTEC, 2TZFE (2.4L), 3VZ, VZFE (3.0L) MUFFLER; CONNECTOR PIPE

TOYOTA TRUCK continued **TOYOTA TRUCK continued**

FEH880

- 1 528960
- 2 8537
- 3 H1243
- 4 F1915
- 5 35385
- 6 BR549



1984-90 VAN 2.2L;
1976-83 PICKUP 2.2L (GAS), 2.4L;
1981-83 PICKUP 2.2L (DIESEL)
CONNECTOR PIPE

TH1042B

- 1 528946
- 2 8183
- 3 TH1042
- 4
- 5 35215
- 6 BR92065



1981-85 PICKUP 2.2L, 2.4L GAS, 2.4L DIESEL
MUFFLER

FEH954

- 1 528987
- 2 8182
- 3 TH1052
- 4 F2289
- 5 35017
- 6 BR91992

1/2" HOLES

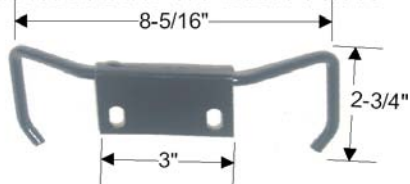


1989 VAN 2.2L
1991-92 PREVIA 2.4L
CONVERTER; EXHAUST PIPE-2ND PIPE

FEH940

- 1
- 2
- 3
- 4
- 5 35493
- 6 BR91942

INCLUDES 2 5/16" X 1" BOLTS & NUTS

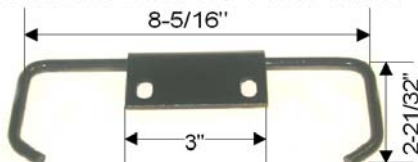


1984-85 4WD W/2.0L DIESEL;
1984-89 PICKUP 4WD 2.4L;
1985-88 4-RUNNER 2.4L
MUFFLER

TH1029B

- 1 528934
- 2
- 3 TH1029
- 4
- 5 35489
- 6 BR91941






INCLUDES 2 5/16" X 1" BOLTS & NUTS

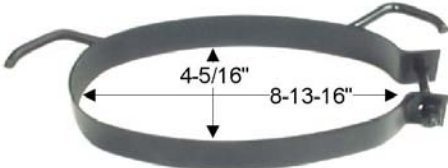

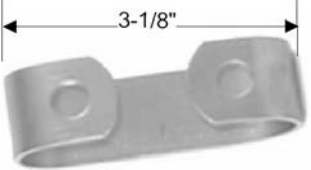
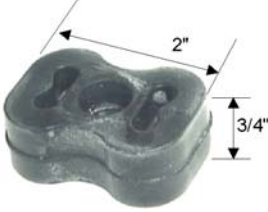


1984-85 PICKUP 2.0L DIESEL; 1984-92 PICKUP 2 & 4
WD 2.4L; 1985-91 4-RUNNER 2.4L; 1988-92 PICKUP 2
& 4 WD 3.0L; 1988-91 4-RUNNER 3.0L
MUFFLER

BRACKETS

OEM TYPE BRACKETS AND HANGERS

TRIUMPH	VOLKSWAGEN
<p>FEH346</p> <p>1 528958 2 8535 3 TH794 4 F1590 5 35386 6 BR570</p>  <p>1975-81 TR7 1998 cc (2.0L) MUFFLER</p>	<p>FEH1151</p> <p>1 2 3 4 5 6</p>  <p>1985-88 JETTA DIESEL EXC. TURBO</p>
	<p>FEH631</p> <p>1 529151 2 8266 3 TH913 4 F3900 5 35403 6 BR631</p>  <p>1977-84 RABBIT 1457cc (1.5L), 1588cc (1.6L), 1715cc (1.7L), 1977-80 1471cc (1.5L DIESEL); 1982-83 SCIROCCO 1715cc (1.7L) CONNECTOR PIPE</p>
	<p>FEH835</p> <p>1 2 8265 3 4 5 6 BR835</p>  <p>1980-84 JETTA 1588cc (1.6L), 1715cc (1.7L), 1982-84 1588cc (1.6L DIESEL);1977-84 RABBIT 1457cc (1.5L), 1588cc (1.6L), 1715cc (1.7L), 1977-80 1471cc (1.5L DIESEL); 1982-83 SCIROCCO 1715cc (1.7L) CONNECTOR PIPE</p>
	<p>FEH622</p> <p>1 529011 2 3 TH912 4 F2143 5 35555 6 BR622</p>  <p>1980-82 VANAGON 2.0L; 1975-79 TRANSPORTER MUFFLER</p>

VOLKSWAGEN continued	VOLVO
<p>FEH556</p> <ol style="list-style-type: none"> 1 528804 2 339995 3 H1031 4 F1787T 5 35042 6 BR556  <p style="text-align: center;">2-3/8"</p> <p style="text-align: center;">1974-88 RABBIT, SCIROCCO, JETTA MUFFLER; TAIL PIPE</p>	<p>TH1055B</p> <ol style="list-style-type: none"> 1 529031 2 8146 3 TH1055 4 5 35151 6 BR91977  <p style="text-align: center;">4-5/16" 8-13-16"</p> <p style="text-align: center;">1990-92 740; 1990 760, 780; 1991 COUPE MUFFLER</p>
<p>FEH568</p> <ol style="list-style-type: none"> 1 528708 2 8515 3 H1032 4 F3759 5 6 BR568  <p style="text-align: center;">1983-88 QUANTUM; 1973-82 DASHER; 1979-88 RABBIT, SCIROCCO, JETTA (DIESEL) MUFFLER; TAIL PIPE</p>	<p>TH1056B</p> <ol style="list-style-type: none"> 1 529032 2 8148 3 TH1056 4 5 35150 6 BR92011  <p style="text-align: center;">6"</p> <p style="text-align: center;">1986-92 740; 1986-90 760; 1991-92 940 MUFFLER</p>
<p>TPH838B</p> <ol style="list-style-type: none"> 1 528764 2 8262 3 TH937 4 F1910 5 35466 6 BR838  <p style="text-align: center;">1-1/16" 1-1/16" 1-1/2" 2-13/16"</p> <p style="text-align: center;">ALSO SEE TPH363B</p> <p style="text-align: center;">1984-93 CABRIOLET, SCIROCCO 1.8L MUFFLER-FRONT; MUFFLER-REAR</p>	<p>TH1076B</p> <ol style="list-style-type: none"> 1 529073 2 8077 3 TH1076 4 5 35158 6 BR91976  <p style="text-align: center;">4-5/16" 8-13/16"</p> <p style="text-align: center;">1991-92 940 MUFFLER-MIDDLE</p>
<p>TH100</p> <ol style="list-style-type: none"> 1 2 3 4 F2262 5 36121 6 BR461  <p style="text-align: center;">3-1/8"</p> <p style="text-align: center;">2 REQUIRED</p> <p style="text-align: center;">1985-89 CABRIOLET 1.8L (1780cc); 1992-93 EUROVAN 2.5L (2459cc); 1986-91 GOLF 1.6L (1588cc); 1982-92 JETTA 1.6L (1588cc), 1.8L (1780cc); 1980-87 RABBIT, & PICKUP 1.5L (1471cc), 1.6L EXHAUST PIPE</p>	<p>FEH1014</p> <ol style="list-style-type: none"> 1 528905 2 8149 3 TH1014 4 F2181 5 35206 6 BR437  <p style="text-align: center;">2" 3/4"</p> <p style="text-align: center;">1985-88 740 SERIES 2316cc (2.3L); 1983-88 760 SERIES 2316cc (2.3L) MUFFLER</p>

BRACKETS

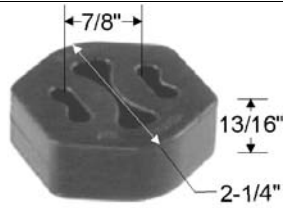
OEM TYPE BRACKETS AND HANGERS

VOLVO continued

YUGO

FEH1154

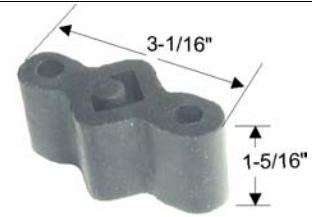
- 1
- 2 8149
- 3
- 4
- 5
- 6 BR92149



1986-92 740 SERIES 2.3L, 2.4L; 1986-90 760 SERIES 2.3L, 2.4L, 2.8L; 1986-87 780 SERIES 2.8L; 1991-94 940 SERIES 2.3L; 1992-96 960 SERIES 3.0L
EXHAUST PIPE; MUFFLER

FEH342

- 1 528281
- 2 8525
- 3 TH831
- 4 F1795
- 5 35107
- 6 BR577



1985-91 CABRIO, GV 1.1L, 1.3L
MUFFLER; TAIL PIPE

FEH124

- 1 528800
- 2 8553
- 3 TH524
- 4 F1770
- 5 35351
- 6 BR538



1967-74 140 SERIES 1780cc (B18A,B,D 1.8L), 1990cc (B20A,B,E,F 2.0L); 1969-75 164 SERIES (B30A, E, F 2980cc 3.0L); 1975-93 240, 240DL 2127cc (B21F, FT 2.4L DIESEL), 2316cc (B23F, FT, B230F, FT 2.3L); 1975-85 260 SERIES 2383cc (D24T 2.4L DIESEL), 2673cc (B27F 2.7L)
FRONT MUFFLER; EXHAUST PIPE-2ND PIPE

FEH553

- 1 528929
- 2 8554
- 3 TH795
- 4 F1777T
- 5 35044
- 6 BR553



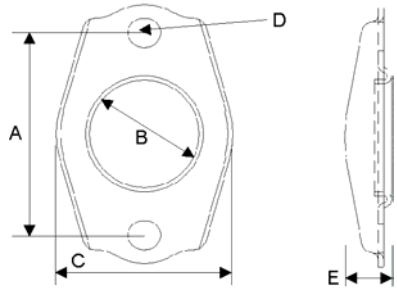
1974 140 SERIES 1990cc (B20F 2.0L); 1974-75 164 SERIES (B30F 2980cc 3.0L); 1975-93 240, 240DL 2127cc (B21F, FT 2.4L DIESEL), 2316cc (B23F, FT, B230F, FT 2.3L); 1975-85 260 SERIES 2383cc (D24T 2.4L DIESEL), 2673cc (B27F 2.7L)
REAR MUFFLER

FLANGE GROUP IDENTIFICATION

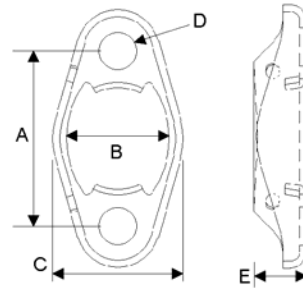
<p style="text-align: center;">TYPE 1</p>	<p style="text-align: center;">TYPE 6</p>
<p style="text-align: center;">TYPE 2</p>	<p style="text-align: center;">TYPE 7</p>
<p style="text-align: center;">TYPE 3</p>	<p style="text-align: center;">TYPE 8</p>
<p style="text-align: center;">TYPE 4</p>	<p style="text-align: center;">TYPE 9</p>
<p style="text-align: center;">TYPE 5</p>	<p style="text-align: center;">TYPE 10</p>

FLANGE GROUP IDENTIFICATION

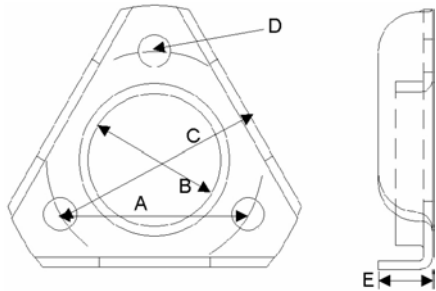
TYPE 12



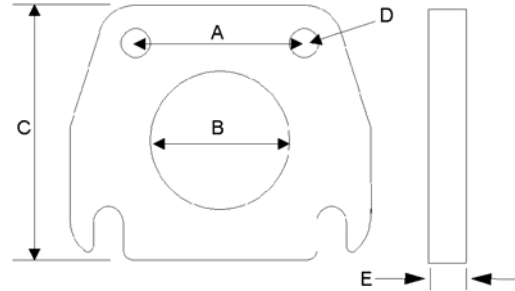
TYPE 16



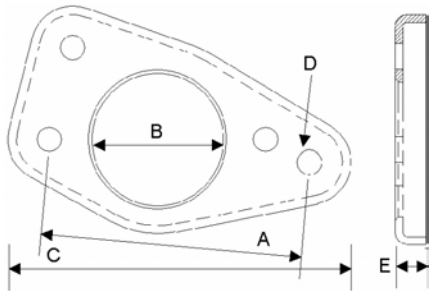
TYPE 13



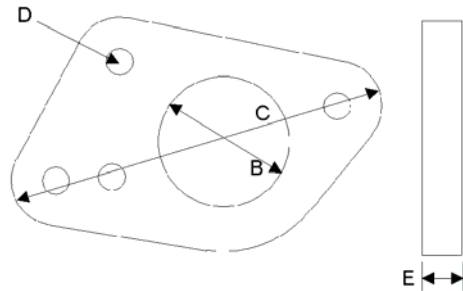
TYPE 17



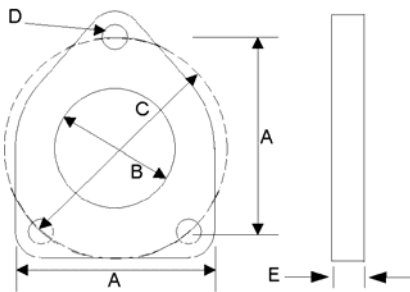
TYPE 14



TYPE 18



TYPE 15



FLANGES & SPLIT FLANGES

GROUP I; UNIVERSAL STYLE

******IMPORTANT****** PORT HOLE SIZE SHOULD BE 1/16" TO 1/8" LARGER THAN THE OD. OF THE PIPE.

SELECTING THE PROPER FLANGE

- I. Establish correct type of flange (7, 8, 9)
- II. Select proper port hole size (inside diameter) of flange.
- III. Select flange to accommodate bolt hole circle or bolt hole centers.

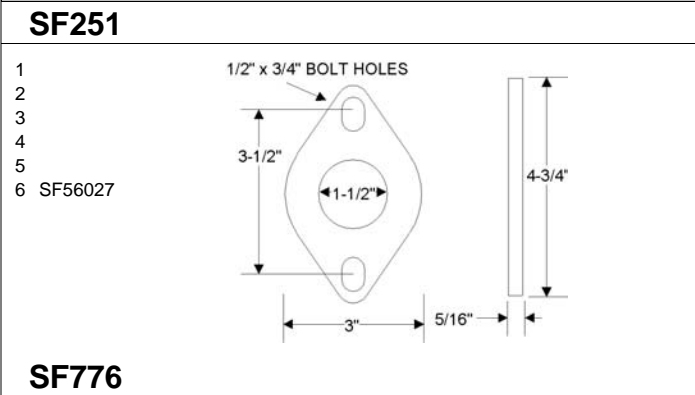
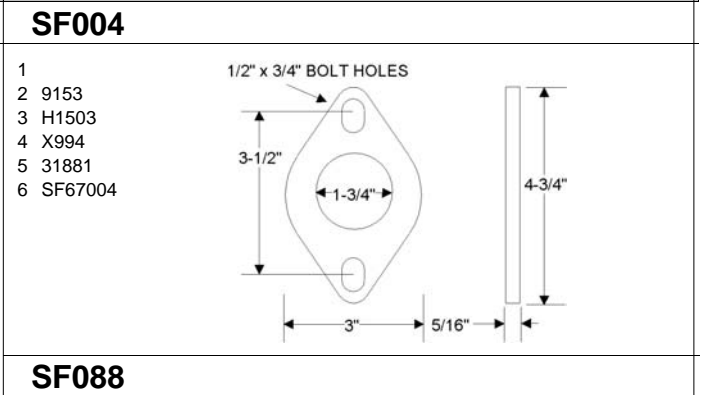
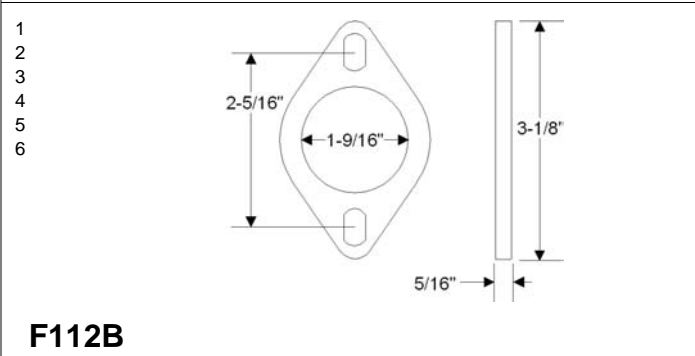
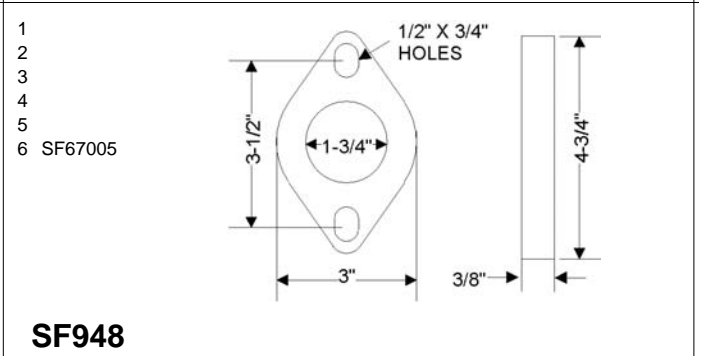
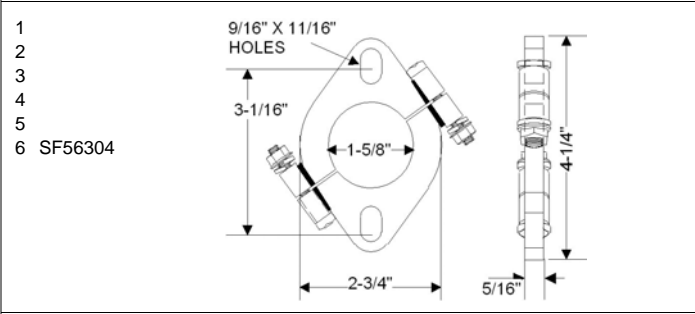
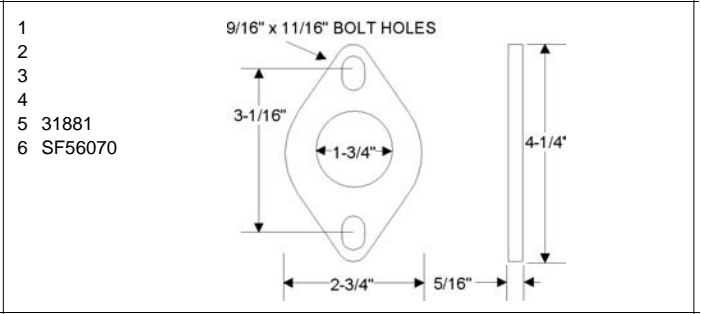
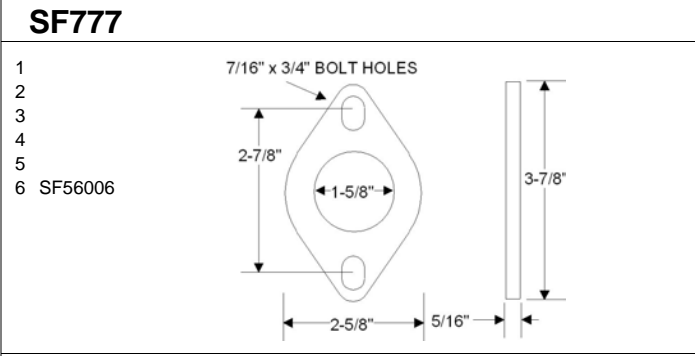
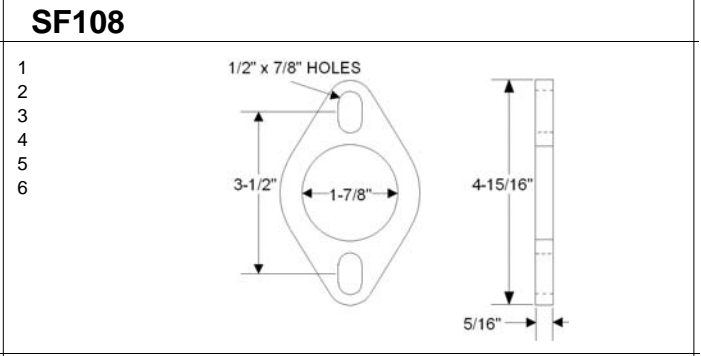
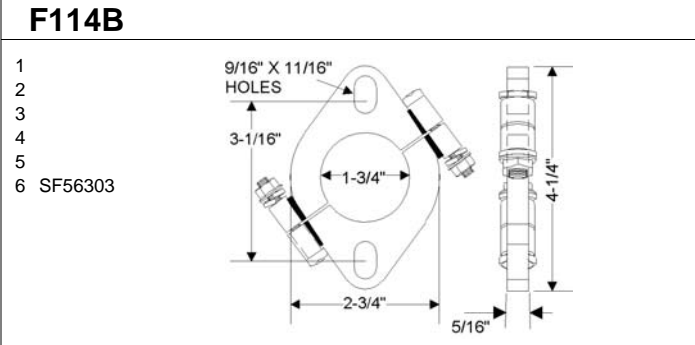
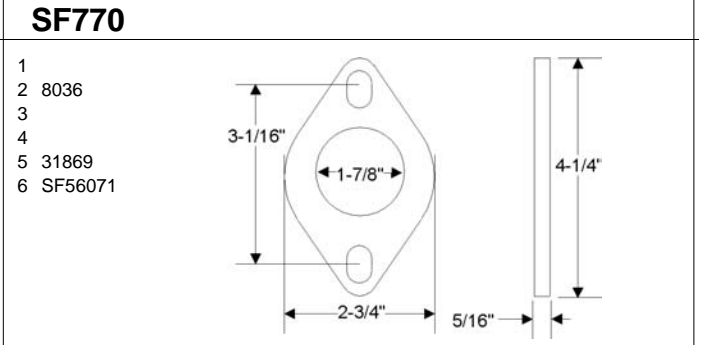
NOTE: FLANGES LISTED BY: 1. TYPE, 2. PORT HOLE SIZE, 3. PART NO.							
		A	B	C	D	E	
PART NO	FITS PIPE OD. SIZE	BOLT HOLE CENTER	PORT HOLE SIZE	WIDTH OR BOLT HOLE CIRCLE	BOLT HOLE SIZE	THICKNESS	GASKET
TYPE 7							
SF251	1 3/8" - 1 7/16"	3 1/2"	1 1/2"	3"	1/2" x 3/4"	5/16"	N/A
SF776	1 1/2"	2 5/16"	1 9/16"			5/16"	N/A
F112B	1 1/2"	3 1/16"	1 5/8"	2 3/4"	9/16" x 11/16"	5/16"	G1B
SF777	1 1/2"	2 7/8"	1 5/8"	2 5/8"	7/16" x 9/16"	5/16"	G180B
F114B	1 1/2" - 1 11/16"	3 1/16"	1 3/4"	2 3/4"	9/16" x 11/16"	5/16"	G1B
SF004	1 1/2" - 1 11/16"	3 1/2"	1 3/4"	3"	1/2" x 3/4"	5/16"	N/A
SF088	1 1/2" - 1 11/16"	3 1/2"	1 3/4"	3"	1/2" x 3/4"	3/8"	N/A
SF948	1 1/2" - 1 11/16"	3 1/16"	1 3/4"	2 3/4"	9/16" x 11/16"	5/16"	G1B
SF108	1 3/4"	3 1/2"	1 7/8"		1/2" x 7/8"	5/16"	N/A
SF770	1 3/4"	3 1/16"	1 7/8"	2 3/4"	9/16" x 11/16"	5/16"	G182B
SF166	2"	3 1/2"	2 1/16"	3 1/16"	7/16" x 7/8"	3/8"	G184B
SF772	2"	3 1/16"	2 1/16"	2 3/4"	9/16" x 11/16"	3/8"	G2B
SF881	1 7/8" - 2"	3 1/16"	2 1/16"	2 3/4"	9/16" x 11/16"	5/16"	N/A
SF006	2"	3 1/2"	2 3/32"	3"	1/2" x 29/32"	5/16"	G184B
F116B	2"	3 1/2"	2 1/8"	3"	7/16" x 7/8"	3/8"	G184B
F118B	2 1/4"	3 7/8"	2 5/16"	3 1/2"	1/2" x 7/8"	5/16"	G186B
SF007	2 1/4"	3 7/8"	2 5/16"	3 1/2"	1/2" x 7/8"	5/16"	G186B
SF177	2 1/4"	3 7/8"	2 5/16"	3 1/2"	17/32" x 29/32"	3/8"	G186B
SF005	2 1/4"	3 11/16"	2 3/8"			5/16"	N/A
SF901	2 1/4"	3 7/8"	2 3/8"	3 1/2"	1/2" x 7/8"	5/16"	G186B
SF888	2 1/2"	4 13/16"	2 1/2"	3 1/2"	1/2" x 15/16"	5/16"	N/A
SF771	2 1/2"	3 11/16"	2 1/2"	3"	1/2" x 3/4"	3/8"	G187B
F120B	2 1/2"	3 7/8"	2 9/16"	3 1/2"	1/2" x 7/8"	5/16"	G187B
SF188	2 1/2"	3 7/8"	2 9/16"	3 1/2"	17/32" x 29/32"	3/8"	G187B
SF015	2 1/2"	3 7/8"	2 9/16"	3 1/2"	1/2" x 7/8"	5/16"	G187B
F122B	2 1/2"	4 3/16"	2 5/8"	3 1/2"		3/8"	N/A
F165B	2 1/2"	4 13/16"	2 5/8"	3 1/2"	1/2" x 15/16"	3/8"	N/A
SF008	2 1/2"		2 5/8"		1/2" x 3/4"	5/16"	N/A
SF954	2 1/2"	4 13/16"	2 5/8"	3 1/2"	1/2" x 7/8"	3/8"	N/A
SF968	2 3/4"	5"	2 3/4"	4 1/2"	1/2" x 29/32"	3/8"	N/A
SF967	3"	4"	3"	3 1/2"	1/2" x 11/16"	5/16"	N/A

FLANGES & SPLIT FLANGES

NOTE: FLANGES LISTED BY: 1. TYPE, 2. PORT HOLE SIZE, 3. PART NO.

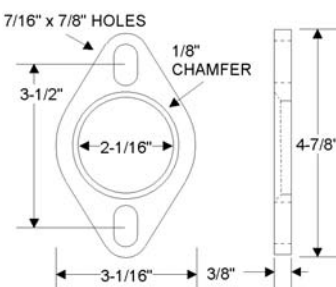
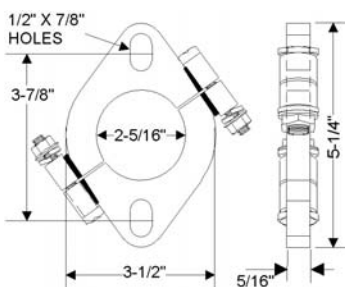
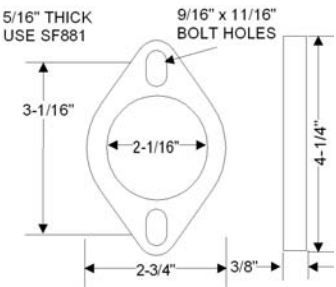
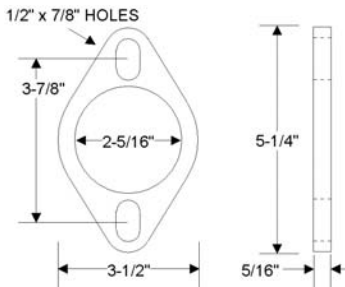
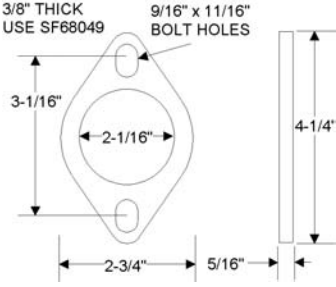
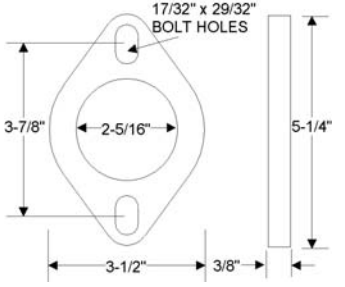
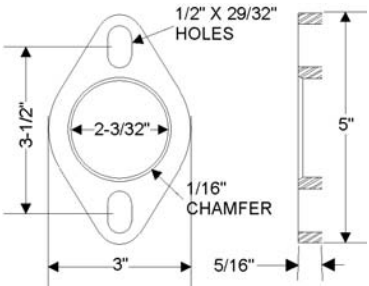
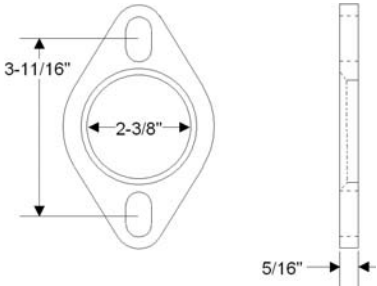
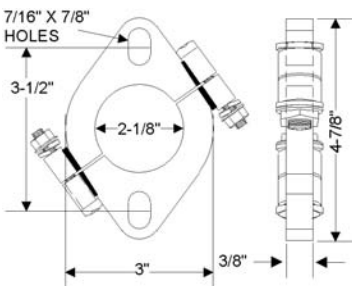
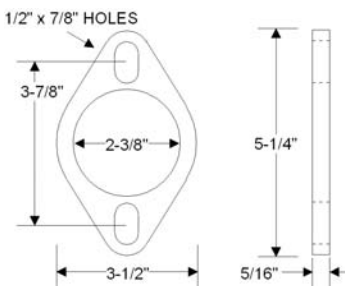
		A	B	C	D	E	
PART NO	FITS PIPE OD. SIZE	BOLT HOLE CENTER	PORT HOLE SIZE	WIDTH OR BOLT HOLE CIRCLE	BOLT HOLE SIZE	THICKNESS	GASKET
TYPE 8							
SF851	1 3/4"	2 11/16" & 2 13/16"	1 3/4"	3 1/4" x 3 5/8"	(2)3/8" & (2)3/8"x1/2"	3/8"	G189B
SF839	2"	2 13/16" & 2 7/16"	2 1/16"	3 1/4" x 3 5/8"	(2)3/8" & (2)3/8"x1/2"	3/8"	G189B
SF848	2 1/4"	2 11/16" & 2 13/16"	2 1/4"	3 1/4" x 3 5/8"	(2)3/8" & (2)3/8"x1/2"	3/8"	G190B
SF043	2 1/2"	2 11/16" & 2 13/16"	2 9/16"	3 1/4" x 3 9/16"	(2)3/8" & (2)3/8"x1/2"	3/8"	G191B
SF780	2 7/8"	IRREGULAR	3"	4 1/2"	(5)7/16" & (1)7/16"x9/16"	1/4"	N/A
TYPE 9							
SF003	1 7/8"	2 11/16"	2"	3 1/8" Bolt Hole Circle	1/2" x 5/8"	5/16"	G4B
SF119	1 7/8"		2"		3/8" x 5/8"	3/16"	G4B
SF133	1 7/8"	2 11/16"	2"	3 1/8" Bolt Hole Circle	1/2" x 5/8"	3/8"	G4B
F106B	2"	2 23/32"	2 1/8"	3 1/8" Bolt Hole Circle	1/2" x 5/8"	5/16"	G4B
SF322	2"	2 11/16"	2 1/8"	3 1/8" Bolt Hole Circle	1/2" x 5/8"	5/16"	G4B
SF164	2 1/2"	3 1/16"	2 5/8"	3 9/16" Bolt Hole Circle	13/32" x 9/16"	3/8"	N/A
SF285	2 1/2"	3 1/16"	2 5/8"	3 9/16" Bolt Hole Circle	13/32" x 9/16"	5/16"	N/A
SF781	3"	3 5/16"	3 1/16"	3 15/16" Bolt Hole Circle	3/8"	5/16"	MP48005 / MP48024
SF781NH	N/A	3 5/16"	N/A	3 15/16" Bolt Hole Circle	3/8"	5/16"	MP48005 / MP48024
SF942	3"	3 15/16"	3 1/16"	3 15/16" Bolt Hole Circle	3/8"	3/8"	MP48005 / MP48024
SF782	3 1/2"	3 7/8"	3 9/16"	3 5/8" Bolt Hole Circle	13/32"	5/16"	N/A
SF782NH	N/A	3 7/8"	N/A	3 5/8" Bolt Hole Circle	13/32"	5/16"	N/A

UNIVERSAL STYLE

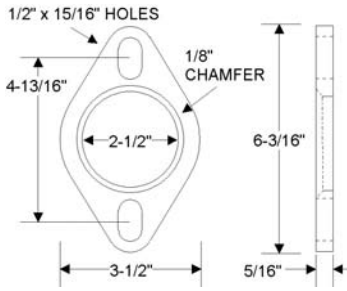
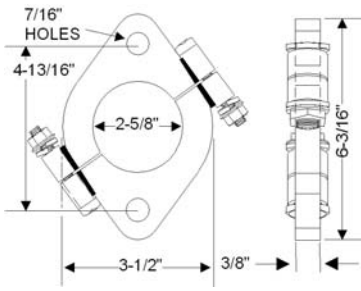
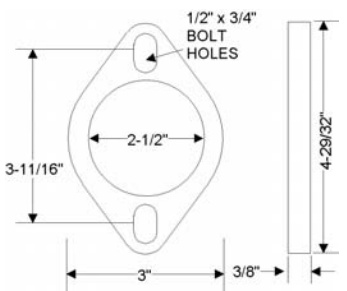
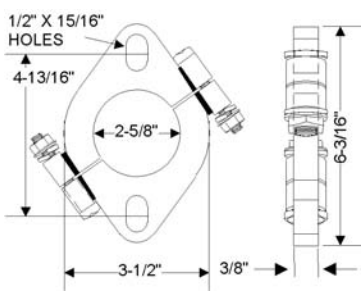
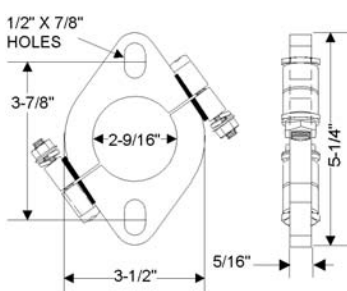
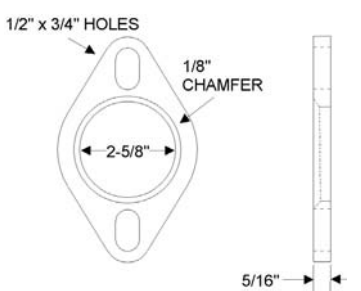
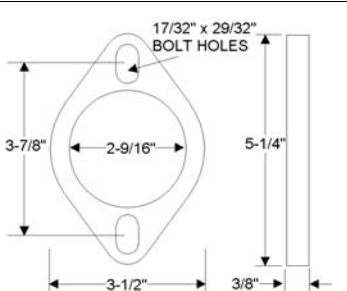
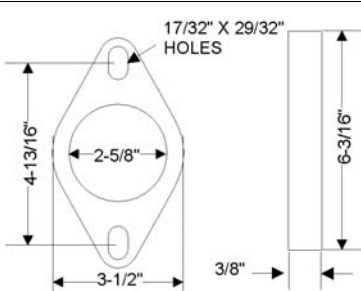
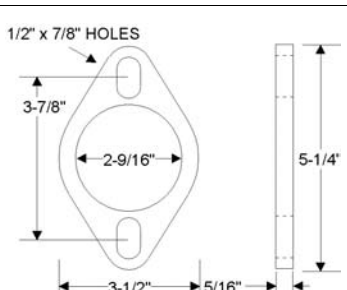
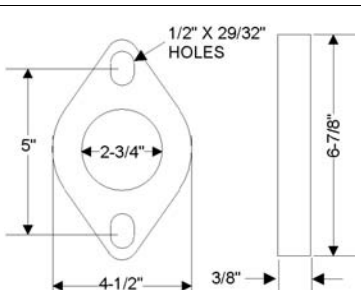
TYPE 7	TYPE 7 continued
<p>SF251</p> <p>1 2 3 4 5 6 SF56027</p> 	<p>SF004</p> <p>1 2 9153 3 H1503 4 X994 5 31881 6 SF67004</p> 
<p>SF776</p> <p>1 2 3 4 5 6</p> 	<p>SF088</p> <p>1 2 3 4 5 6 SF67005</p> 
<p>F112B</p> <p>1 2 3 4 5 6 SF56304</p> 	<p>SF948</p> <p>1 2 3 4 5 31881 6 SF56070</p> 
<p>SF777</p> <p>1 2 3 4 5 6 SF56006</p> 	<p>SF108</p> <p>1 2 3 4 5 6</p> 
<p>F114B</p> <p>1 2 3 4 5 6 SF56303</p> 	<p>SF770</p> <p>1 2 8036 3 4 5 31869 6 SF56071</p> 

FLANGES & SPLIT FLANGES

UNIVERSAL STYLE

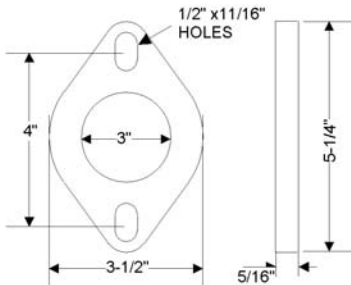
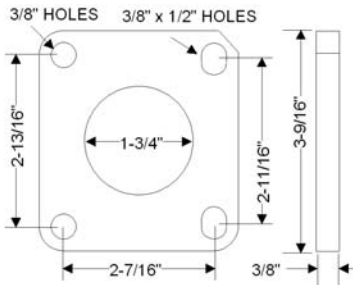
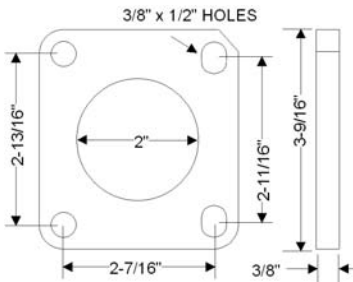
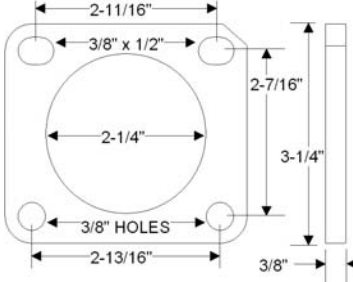
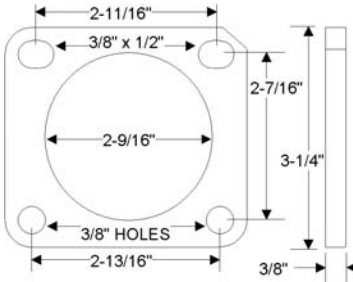
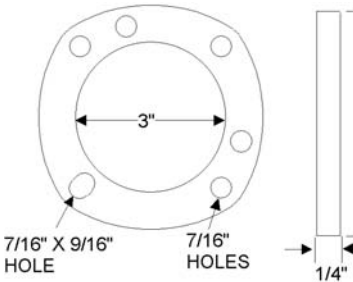
TYPE 7 continued	TYPE 7 continued
<p>SF166</p> <p>1 578548 2 3 F89 4 X1222 5 31946 6 SF66054</p> 	<p>F118B</p> <p>1 2 3 4 5 6 SF56300</p> 
<p>SF772</p> <p>1 2 3 4 5 6 SF68049</p> 	<p>SF007</p> <p>1 578707 2 9155 3 H1505 4 X1049 5 31879 6 SF67007</p> 
<p>SF881</p> <p>1 2 3 H1585 4 X995 5 31880 6 SF56072</p> 	<p>SF177</p> <p>1 2 3 4 5 6 SF66044</p> 
<p>SF006</p> <p>1 2 3 4 5 6 SF56305</p> 	<p>SF005</p> <p>1 2 3 4 5 6</p> 
<p>F116B</p> <p>1 2 3 4 5 6 SF56302</p> 	<p>SF901</p> <p>1 2 8035 3 4 5 31886 6 SF69085</p> 

UNIVERSAL STYLE

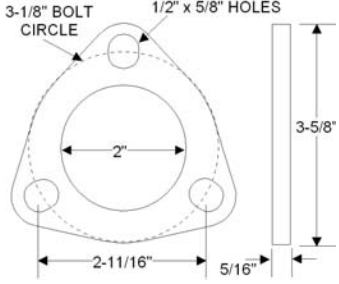
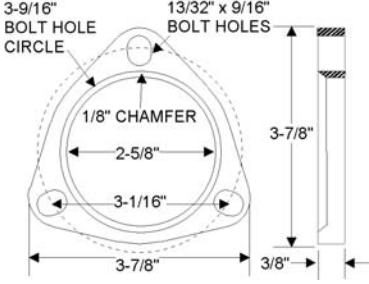
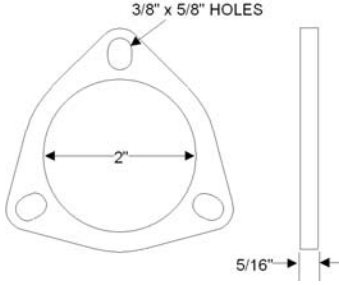
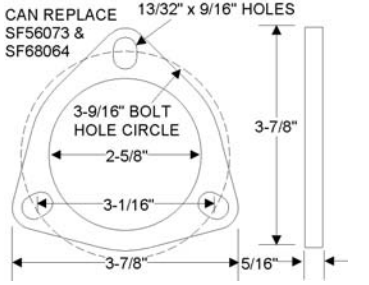
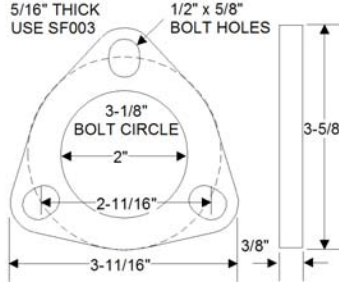
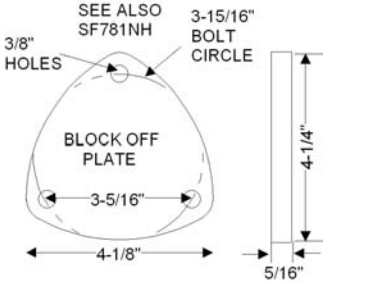
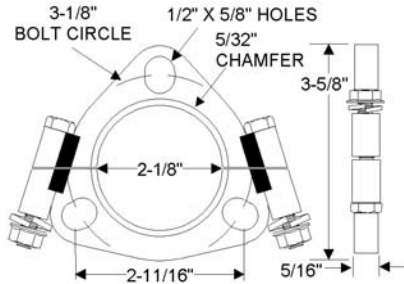
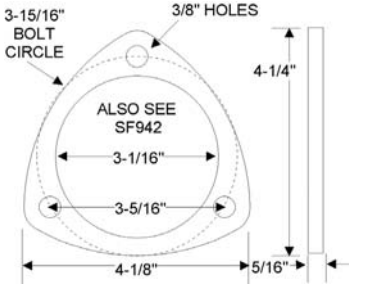
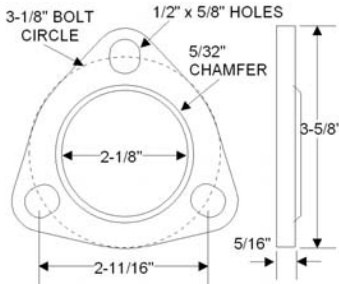
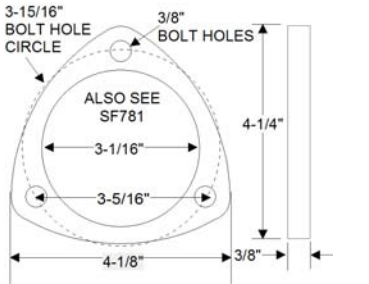
TYPE 7 continued	TYPE 7 continued
<p>SF888</p> <p>1 2 9162 3 4 X1271 5 31928 6 SF56115</p> 	<p>F122B</p> <p>1 2 3 4 5 6</p> 
<p>SF771</p> <p>1 2 3 4 5 6 SF66209</p> 	<p>F165B</p> <p>1 2 3 4 5 6 SF66237</p> 
<p>F120B</p> <p>1 2 3 4 5 6 SF56301</p> 	<p>SF008</p> <p>1 2 3 4 5 6</p> 
<p>SF188</p> <p>1 2 3 4 5 6 SF66045</p> 	<p>SF954</p> <p>1 2 3 4 5 6 SF66235</p> 
<p>SF015</p> <p>1 2 9156 3 H1506 4 X1050 5 31878 6 SF67008</p> 	<p>SF968</p> <p>1 2 3 4 5 6 SF66241</p> 

FLANGES & SPLIT FLANGES

UNIVERSAL STYLE

TYPE 7 continued	TYPE 8
<p>SF967</p>  <p>1 2 3 4 5 6 SF56307</p>	<p>SF851</p>  <p>1 2 3 4 X1212 5 6 SF68051</p>
	<p>SF839</p>  <p>1 2 3 4 X1208 5 31910 6 SF68039</p>
	<p>SF848</p>  <p>1 2 9142 3 4 X1201 5 6 SF68048</p>
	<p>SF043</p>  <p>1 578525 2 9143 3 H1525 4 X1230 5 31914 6 SF68043</p>
	<p>SF780</p>  <p>1 2 3 4 5 6 SF46065</p>

UNIVERSAL STYLE

TYPE 9	TYPE 9 continued
<p>SF003</p> <p>1 578535 2 9152 3 F69 4 X993 5 31891 6 SF69083</p> 	<p>SF164</p> <p>1 2 3 4 5 6 SF66211</p> 
<p>SF119</p> <p>1 2 3 4 5 6</p> 	<p>SF285</p> <p>1 2 3 4 5 6 SF56170</p> 
<p>SF133</p> <p>1 2 3 4 5 6 SF68041</p> 	<p>SF781NH</p> <p>1 2 3 4 5 6 SF56151</p> 
<p>F106B</p> <p>1 2 3 4 5 6 SF56168</p> 	<p>SF781</p> <p>1 2 8033 3 H1547 4 5 6 SF56152</p> 
<p>SF322</p> <p>1 578535 2 F69 3 4 5 6 SF56111</p> 	<p>SF942</p> <p>1 2 3 4 5 6 SF66193</p> 

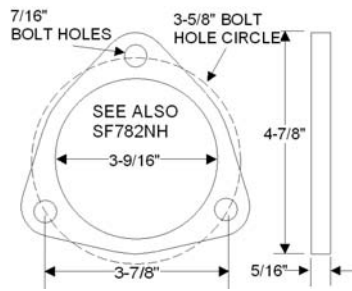
FLANGES & SPLIT FLANGES

UNIVERSAL STYLE

TYPE 9 continued

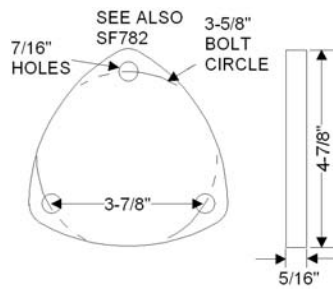
SF782

- 1
- 2
- 3
- 4
- 5
- 6 SF56242



SF782NH

- 1
- 2
- 3
- 4
- 5
- 6



FLANGES & SPLIT FLANGES

GROUP II; OEM STYLE

****IMPORTANT**** PORT HOLE SIZE SHOULD BE 1/16" TO 1/8" LARGER THAN THE OD. OF THE PIPE.

SELECTING THE PROPER FLANGE

- I. Establish correct type of flange (1, 2, 3,...)
- II. Select proper port hole size (inside diameter) of flange.
- III. Select flange to accommodate bolt hole circle or bolt hole centers.

NOTE: FLANGES LISTED BY: 1. TYPE, 2. PORT HOLE SIZE, 3. PART NO.					
	A	B	C	D	E
PART NO	BOLT HOLE CENTER	PORT HOLE SIZE	WIDTH OR BOLT HOLE CIRCLE	BOLT HOLE SIZE	THICKNESS
TYPE 1					
F138B	2 11/16"	2 1/8"	3 1/16"	7/16"	3-3/8"
SF012	2 11/16"	2 1/8"	3 1/16"	7/16"	15/16"
TYPE 2					
SF115	2 7/8"	2 5/16"	3 3/8" Bolt Hole Circle	7/16"	1 1/16"
F104B	4 13/32"	2 7/16"	3 3/8" Bolt Hole Circle	17/32"	9/16"
SF955	3 1/16"	2 9/16"	3 1/2" Bolt Hole Circle	7/16"	5/8"
SF060	3 1/8"	2 11/16"	3 9/16" Bolt Hole Circle	1/2"	3/8"
TYPE 3					
SF668	3 11/16"	1 13/16"	2 3/8"	7/16" x 9/16"	1 1/4"
F100B	3 5/8"	2 1/8"	2 9/16"	7/16" x 9/16"	1 1/4"
F124B	3 5/8"	2 1/8"	2 9/16"	7/16" x 9/16"	1 1/4"
SF077	3 5/8"	2 1/8"	2 1/2"	7/16"	1 1/4"
SF139	3 5/8"	2 1/8"	2 3/8"	9/16"	1 1/4"
F161B	3 3/4"	2 3/16"	2 9/16"	7/16" x 9/16"	1 1/4"
F164B	3 5/8"	2 3/16"	2 1/2"	3/4"	1"
SF073	3 5/8"	2 3/16"	2 1/2"	9/16"	1 1/4"
SF670	3 7/16"	2 3/16"	2 1/2"	9/16"	1 1/4"
SF041	3 9/16"	2 1/4"	2 3/4"	3/8" x 7/16"	1 3/16"
F159B	4 1/4"	2 11/32"	3 3/16"	1/2"	1 7/16"
F101B	3 5/8"	2 7/16"	3"	7/16" x 9/16"	1 1/4"
SF010	3 5/8"	2 7/16"	2 7/8"	7/16" x 9/16"	1 1/4"
SF087	3 3/4"	2 7/16"	2 15/16"	7/16"	1 1/18"
SF054	3 13/16"	2 9/16"	3 3/16"	9/16"	1 5/8"
SF908	4"	2 5/8"	3 3/16"	1/2"	1 7/16"
SF915	4 3/4"	2 5/8"	2 15/16"	7/16"	1 1/4"
F102B	4 3/4"	2 11/16"	2 7/8"	7/16"	1 1/4"
F162B	4 3/4"	2 11/16"	2 7/8"	7/16"	1 1/4"
SF055	4 3/4"	2 11/16"	2 7/8"	7/16"	1 1/4"
SF151	3 25/32"	2 11/16"	2 15/16"	7/32"	1 1/4"
F108B	4 1/4"	3 1/16"	3 3/4"	1/2"	1"
SF273	4 1/4"	3 1/16"	3 3/4"	1/2"	1"

FLANGES & SPLIT FLANGES

NOTE: FLANGES LISTED BY: 1. TYPE, 2. PORT HOLE SIZE, 3. PART NO.

	A	B	C	D	E
PART NO	BOLT HOLE CENTER	PORT HOLE SIZE	WIDTH OR BOLT HOLE CIRCLE	BOLT HOLE SIZE	THICKNESS
TYPE 4					
SF923	3 3/8"	1 3/4"	3 5/6"	5/8"	3/4"
SF939	3 1/8"	1 7/8"	3 1/8"	3/8"	3/4"
SF025	3 9/16"	2 1/16"	3 3/16"	1/2"	3/4"
SF141	3 7/16"	2 1/16"	3 3/4"	1/2"	3/4"
SF014	3 1/8"	2 1/8"	3 1/4"	7/16"	5/8"
SF069	3 5/8"	2 3/16"	3 1/2"	5/8"	11/16"
SF100	3 21/32"	2 1/4"	3 1/2"	9/16"	1 1/32"
SF030	3 11/16"	2 3/8"	3 7/16"	9/16"	3/4"
SF089	3 7/8"	2 3/8"	3 3/4"	9/16" x 7/8"	1"
SF013	4 1/16"	2 7/16"	3 9/16"	9/16"	9/16"
SF016	3 13/16"	2 9/16"	3 5/8"	3/8" x 16" NUT	1"
SF023	4 1/16"	2 11/16"	3 7/8"	1/2"	1"
SF024	4 1/16"	2 3/4"	3 7/8"	3/8" x 16" NUT	1"
TYPE 5					
SF103	2 15/16"	1 7/8"	3 1/4"	1/2"	11/16"
SF037	3 1/2"	2 1/16"	3 3/8"	1/2"	5/8"
SF039	3 1/8"	2 1/16"	3 1/4"	1/2"	11/16"
SF049	3 3/8"	2 1/16"	3 1/4"	1/2"	9/16"
SF062	3"	2 1/16"	3 1/4"	1/2"	11/16"
SF157	3 5/8"	2 1/16"	3 1/8"	7/16" x 5/8"	1"
F107B	3 7/8"	2 1/8"	3 3/8"	1/2" x 29/32"	7/8"
SF066	4"	2 1/8"	3 1/4"	1/2"	13/16"
SF796	3 3/4"	2 1/8"	3 5/16"	3/4"	1/2"
SF672	4 1/4"	2 1/8"	3 5/16"	1/2"	3/4"
SF906	3 3/4"	2 1/8"	3 5/16"	1/2"	5/8"
SF082	4"	2 1/4"	3 3/8"	7/16"	13/16"
F74B	3 5/16"	2 5/16"	3 15/32"	23/32"	7/16"
SF032	3 13/16"	2 5/16"	3 9/16"	1/2"	9/16"
SF038	3 3/8"	2 5/16"	3 1/2"	1/2"	7/16"
F109B	3 15/16"	2 13/32"	3 1/2"	23/32"	1/2"
SF058	3 9/16"	2 7/16"	3 3/8"	7/16"	5/8"
F103B	3 15/16"	2 9/16"	3 1/2"	11/16"	1/2"
F163B	3 15/16"	2 9/16"	3 1/2"	11/16"	1/2"
SF045	3 3/4"	2 9/16"	3 9/16"	11/16"	9/16"
SF279	5 1/8"	3"	4 3/4"	1/2"	1 5/16"
TYPE 6					
SF040	3 1/8"	2 1/8"	3 1/4"	7/16"	1 1/16"
SF044	3 3/4"	2 5/16"	3 9/16"	1/2"	11/16"

FLANGES & SPLIT FLANGES

NOTE: FLANGES LISTED BY: 1. TYPE, 2. PORT HOLE SIZE, 3. PART NO.					
	A	B	C	D	E
PART NO	BOLT HOLE CENTER	PORT HOLE SIZE	WIDTH OR BOLT HOLE CIRCLE	BOLT HOLE SIZE	THICKNESS
TYPE 7					
SF875	2 1/2"	1 5/8"	2 1/8"	7/16"	5/16"
SF922	3"	1 3/4"	2 3/4"	7/16"	5/16"
SF944	3 7/16"	1 3/4"	3"	1/2"	5/16"
SF109	2 3/4"	1 7/8"	2 3/4"	1/2"	3/8"
SF656	3 9/16"	1 7/8"	3"	7/16"	5/16"
SF882	3 7/16"	1 7/8"	3"	1/2"	5/16"
SF111	3 5/8"	1 15/16"	3"	1/2"	3/8"
SF887	3 7/16"	2"	3"	1/2"	5/16"
SF905	3"	2"	2 3/4"	1/2"	5/16"
SF956	3 1/2"	2"	3"	1/2"	3/8"
SF033	3"	2 1/16"	2 3/4"	1/2"	3/8"
SF034	3"	2 1/16"	2 5/8"	1/2"	1/2"
SF959	4"	2 1/16"	3 3/8"	3/8"	3/8"
SF104	3 1/8"	2 1/8"	3"	7/16"	3/8"
SF800	3 7/16"	2"	3"	1/2"	3/8"
SF773	3 1/2"	2 1/4"	3"	1/2"	3/8"
SF918	3 5/16"	2 1/4"		1/2"	1/2"
SF958	4"	2 1/4"	3 3/8"	3/8"	3/8"
SF960	3 7/16"	2 1/4"	3"	1/2"	3/8"
SF888	4 13/16"	2 1/2"	3 1/2"	1/2" x 15/16"	5/16"
SF946	3 15/16"	2 1/2"	3"	1/2"	3/8"
SF962	3 29/32"	2 1/2"	3"	1/2"	5/16"
SF957	4"	2 5/8"	3 1/2"	3/8" - UNC	5/16"
SF009	4"	3"	3 15/16"	7/16"	3/8"
SF199	4 1/8"	3"	3 3/4"	7/16"	3/8"
SF952	5 5/32"	3"	4 1/4"	1/2"	5/16"
TYPE 8					
SF851	2 11/16" x 2 13/16" x 2 7/16"	1 3/4"	3 9/16"	(2)3/8" & (2)3/8" x 1/2"	3/8"
SF839	2 11/16" x 2 13/16" x 2 7/16"	2"	3 9/16"	(2)3/8" & (2)3/8" x 1/2"	3/8"
SF878	2 5/16"	2 1/8"	2 5/16"	3/8"	5/16"
SF848	2 11/16" x 2 13/16" x 2 7/16"	2 1/4"	3 1/4"	(2)3/8" & (2)3/8"x1/2"	3/8"
SF121	2 3/4" x 2 1/4"	2 5/16"	3"	7/16"	3/8"
SF902	2 3/8"	2 5/16"	3 5/16"	7/16"	5/16"
SF043	2 11/16" x 2 13/16" x 2 7/16"	2 9/16"	3 1/4"	(2)3/8" & (2)3/8"x1/2"	3/8"

FLANGES & SPLIT FLANGES

NOTE: FLANGES LISTED BY: 1. TYPE, 2. PORT HOLE SIZE, 3. PART NO.

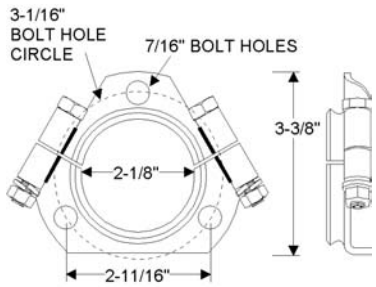
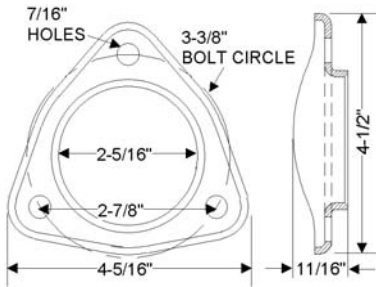
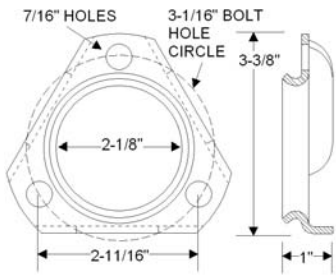
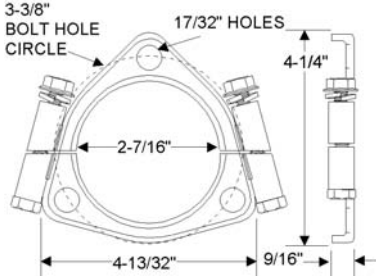
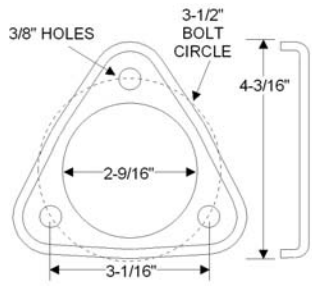
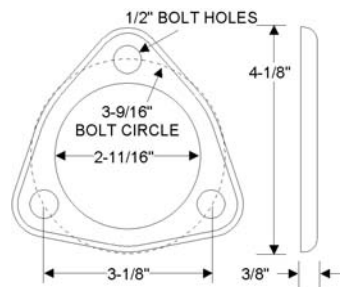
	A	B	C	D	E
PART NO	BOLT HOLE CENTER	PORT HOLE SIZE	WIDTH OR BOLT HOLE CIRCLE	BOLT HOLE SIZE	THICKNESS
TYPE 9					
SF775	2 1/4"	1 5/8"		5/16"	1/4"
SF949	2 9/16"	1 3/4"	3" Bolt Hole Circle	3/8"	5/16"
F105B	2 19/32"	1 7/8"	3" Bolt Hole Circle	13/32"	5/16"
SF768	2 9/16"	1 7/8"	3" Bolt Hole Circle	3/8"	5/16"
SF929	1 15/16"	2 15/16"	3 3/8" Bolt Hole Circle	7/16"	3/8"
SF961	2 1/4"	2"	3" Bolt Hole Circle	7/16"	3/8"
SF969	3"	2"	3 5/8" Bolt Hole Circle	1/2"	3/8"
SF048	2 9/16"	2 1/16"	3" Bolt Hole Circle	3/8"	5/16"
F106B	2 23/32"	2 1/8"	3 1/8" Bolt Hole Circle	1/2" x 5/8"	5/16"
SF148	2 11/16"	2 3/16"	3 1/8" Bolt Hole Circle	7/16"	3/8"
SF147	2 11/16"	2 1/4"	3 1/8" Bolt Hole Circle	7/16"	3/8"
F160B	2 15/16"	2 1/2"	3 3/8" Bolt Hole Circle	1/2" x 9/16"	5/16"
SF885		2 1/2"	3 5/8" Bolt Hole Circle	1/2"	5/16"
SF951	2 15/16"	2 1/2"	3 3/8" Bolt Hole Circle	1/2" x 9/16"	5/16"
F144B	3 3/16"	2 5/8"	3 11/16" Bolt Hole Circle	1/2" x 7/16"	5/16"
SF064	3 1/16"	2 5/8"	3 1/8" Bolt Hole Circle	3/8"	5/16"
SF864	3 3/16"	2 5/8"	3 11/16" Bolt Hole Circle	3/8"	3/8"
SF926	4 7/16"	2 3/4"	5 1/8" Bolt Hole Circle	7/16"	3/8"
SF928	4 7/16"	2 3/4"	5 1/8" Bolt Hole Circle	7/16"	3/8"
SF781	3 5/16"	3 1/16"	3 15/16" Bolt Hole Circle	3/8"	5/16"
SF942	3 5/16"	3 1/16"	3 15/16" Bolt Hole Circle	3/8"	3/8"
SF782	3 27/32"	3 9/16"	3 5/8" Bolt Hole Circle	13/32"	5/16"
TYPE 12					
SF143	3 13/16"	2"	3 5/16"	9/16" x 5/8"	5/8"
SF149	3 13/16"	2 1/8"	3 5/16"	9/16" x 5/8"	5/8"
F110B	3 13/16"	2 3/8"	3 5/16"	1/2" x 5/8"	1/2"
SF917	4 11/16"	2 9/16"	3 9/16"	3/4"	3/4"
TYPE 13					
SF161	2 3/8"	1 3/4"	2 3/4" Bolt Hole Circle	7/16"	11/16"
TYPE 14					
FL200	IRREGULAR	2"	6 7/16"	7/16"	5/8"
SF965	IRREGULAR	2"	6 1/4"	3/8" - 16 UNC	5/8"
SF792	IRREGULAR	2 1/16"	5 3/4"	5/16"	9/16"
SF788	IRREGULAR	2 5/16"	6"	7/8"	9/16"
SF794	IRREGULAR	2 5/16"	5 3/4"	5/16"	9/16"
FL225	IRREGULAR	2 7/16"	6 7/16"	7/16"	
FL250	IRREGULAR	2 9/16"	6 7/16"	7/16"	5/8"
FL300	IRREGULAR	2 29/32"	6 7/16"	7/16"	
SF966	IRREGULAR	3"	6 1/4"	3/8" - 16 UNC	5/8"

FLANGES & SPLIT FLANGES

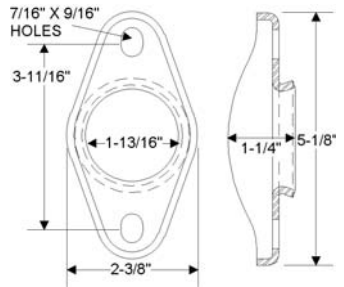
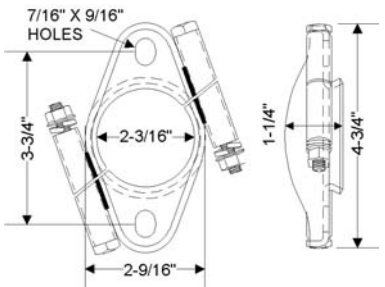
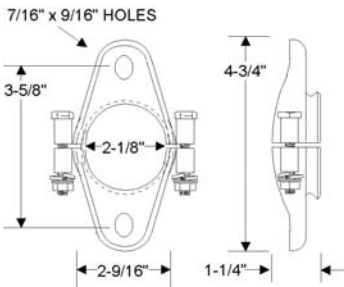
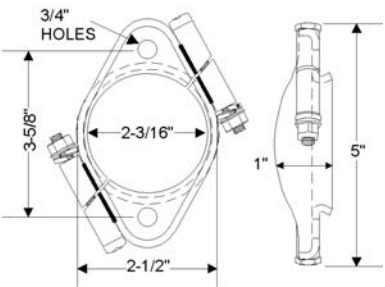
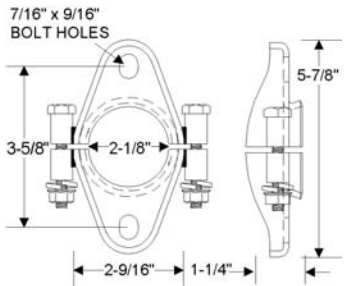
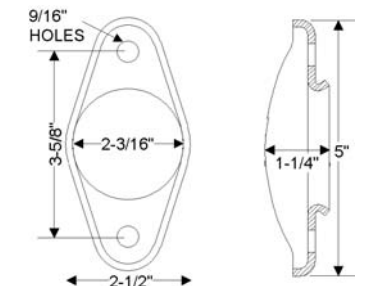
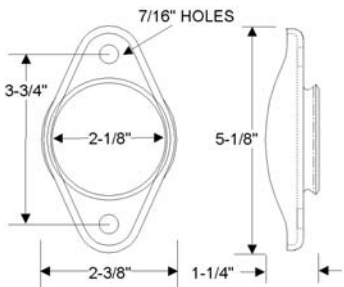
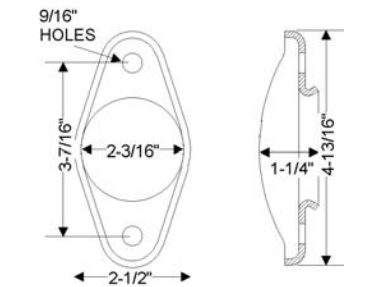
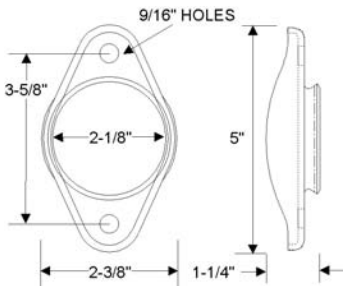
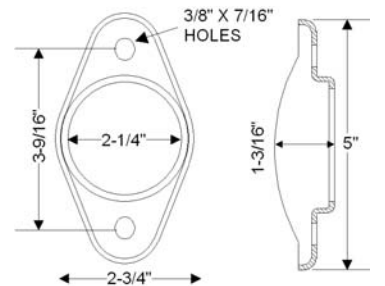
NOTE: FLANGES LISTED BY: 1. TYPE, 2. PORT HOLE SIZE, 3. PART NO.					
	A	B	C	D	E
PART NO	BOLT HOLE CENTER	PORT HOLE SIZE	WIDTH OR BOLT HOLE CIRCLE	BOLT HOLE SIZE	THICKNESS
TYPE 15					
SF798	3 9/32" x 3 1/4"	1 11/16"	3"	1/2"	3/8"
SF295	2 7/16"	2"	3 3/4"	7/16"	5/16"
SF895	2 1/2"	2"	3 3/8"	7/16"	5/16"
TYPE 17					
SF868	3 3/16"	2"	3 5/8"	7/16"	5/16"
SF866	3 3/16"	2 1/4"	3 5/8"	7/16"	5/16"
SF865	3 3/16"	2 5/8"	3 5/8"	7/16"	5/16"
SF920	2 5/8" x 2"	2 5/8"	3 5/8"	7/16"	3 1/16"
TYPE 18					
SF910	IRREGULAR	2 1/16"	5 15/16"	7/16"	3/8"
SF869	2 11/16" x 4 5/16"	2 1/2" x 3 9/16"	6 1/2"	1/2"	5/16"
SF909	IRREGULAR	2 9/16"	5 15/16"	7/16"	3/8"
SF921	IRREGULAR	2 13/16" x 3 7/16"	IRREGULAR	7/16"	3/8"
SF925	IRREGULAR	3 1/16"	5 15/16"	7/16"	3/8"

FLANGES & SPLIT FLANGES

OEM STYLE

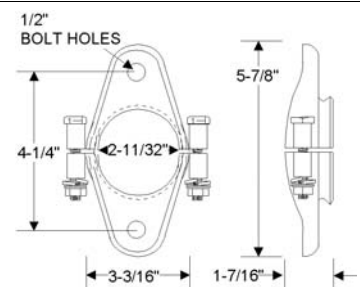
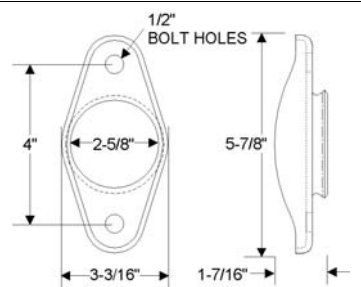
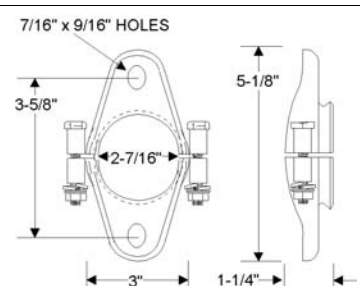
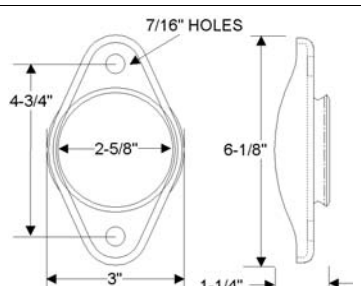
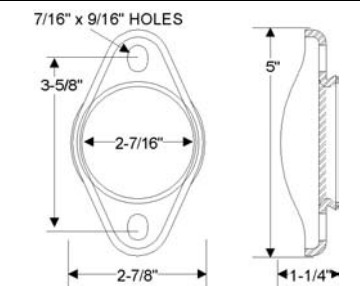
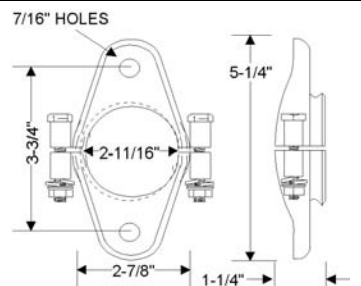
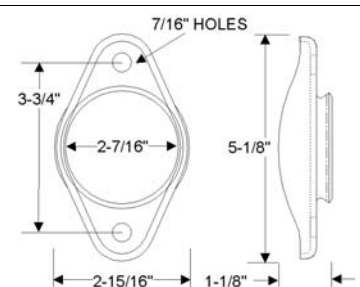
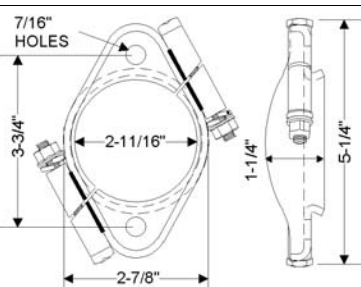
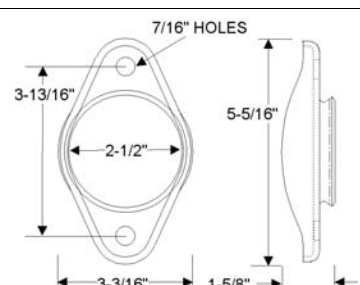
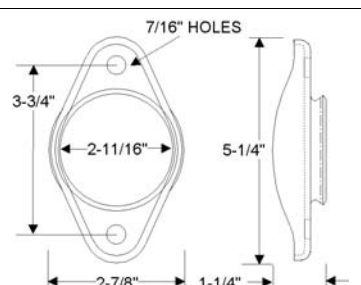
TYPE 1	TYPE 2
<p>F138B</p> <p>1 2 3 4 5 6 SF36128</p> 	<p>SF115</p> <p>1 578512 2 8775 3 F18 4 5 31850 6 SF67120</p> 
<p>SF012</p> <p>1 578454 2 8780 3 H1507 4 X1130 5 31917 6 SF67012</p> 	<p>F104B</p> <p>1 2 3 4 5 36133 6 SF36090</p> 
	<p>SF955</p> <p>1 2 3 4 5 31883 6 SF67062</p> 
	<p>SF060</p> <p>1 578481 2 8787 3 F44 4 X1236 5 31866 6 SF67059</p> 

OEM STYLE

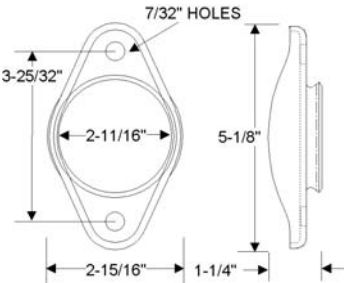
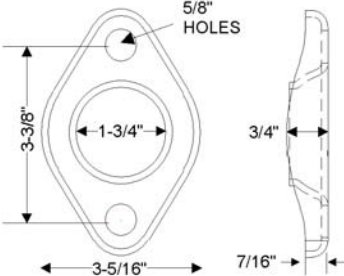
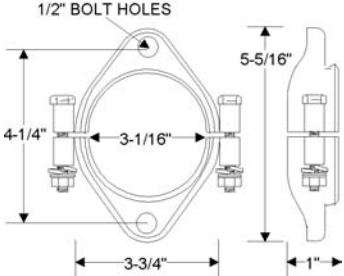
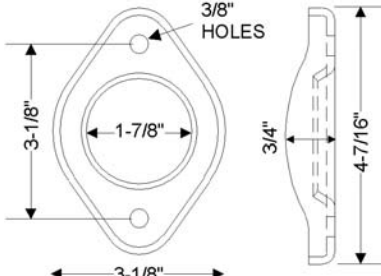
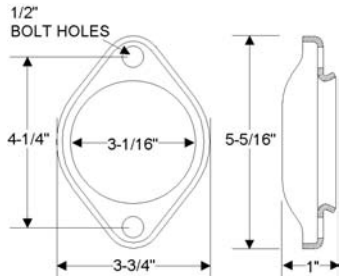
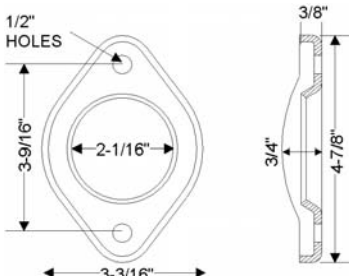
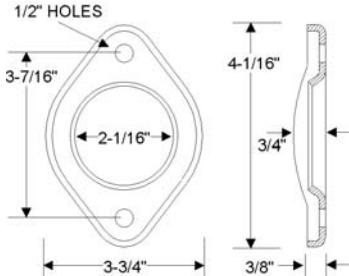
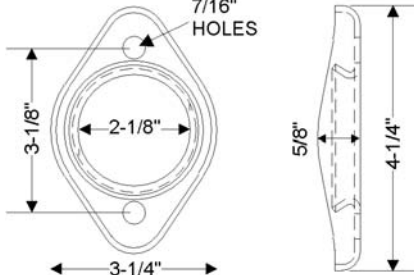
TYPE 3	TYPE 3 continued
<p>SF668</p> <p>1 2 3 4 5 6 SF67063</p> 	<p>F161B</p> <p>1 2 3 4 5 6 SF36140</p> 
<p>F100B</p> <p>1 2 3 4 5 36132 6 SF36084</p> 	<p>F164B</p> <p>1 2 3 4 5 6 SF36144</p> 
<p>F124B</p> <p>1 2 3 4 5 6 SF36127</p> 	<p>SF073</p> <p>1 2 3 4 5 6 SF67073</p> 
<p>SF077</p> <p>1 578475 2 8798 3 F48 4 X1235 5 31867 6 SF67077A</p> 	<p>SF670</p> <p>1 2 3 4 5 6 SF67068</p> 
<p>SF139</p> <p>1 2 3 4 5 6 SF67077</p> 	<p>SF041</p> <p>1 578504 2 8796 3 H1516 4 5 31864 6 SF67041</p> 

FLANGES & SPLIT FLANGES

OEM STYLE

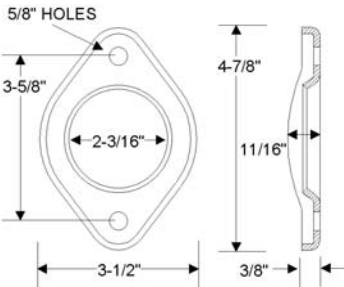
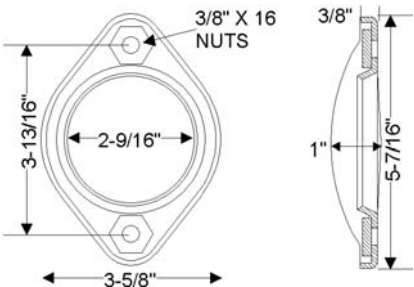
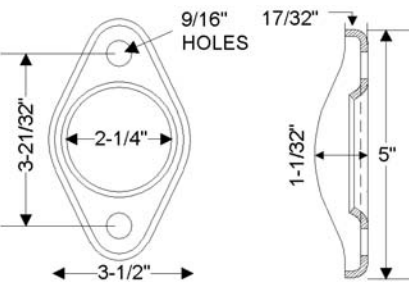
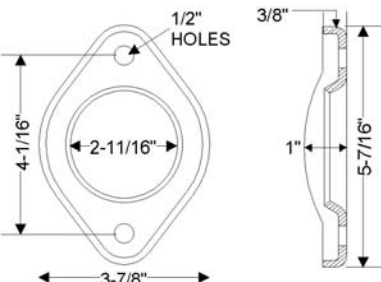
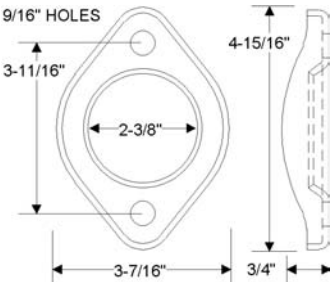
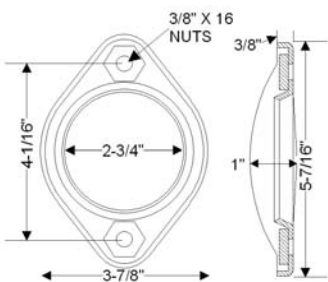
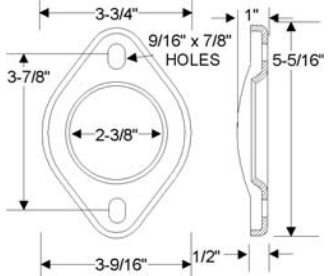
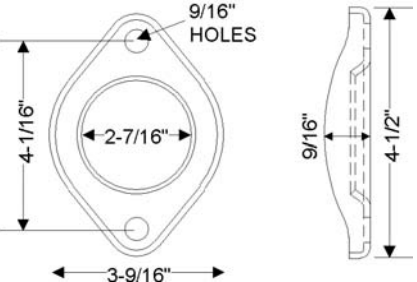
TYPE 3 continued	TYPE 3 continued
<p>F159B</p> <p>1 2 3 4 5 6 SF36105</p> 	<p>SF908</p> <p>1 2 3 4 5 6 SF36122</p> 
<p>F101B</p> <p>1 2 3 4 5 36131 6 SF36085</p> 	<p>SF915</p> <p>1 578506 2 9162 3 F92 4 X1287 5 31928 6 SF67112</p> 
<p>SF010</p> <p>1 578458 2 8777 3 F20 4 X1135 5 31852 6 SF67010A</p> 	<p>F102B</p> <p>1 2 3 4 5 36130 6 SF36086</p> 
<p>SF087</p> <p>1 578474 2 8786 3 H1513 4 X1231 5 31870 6 SF67087</p> 	<p>F162B</p> <p>1 2 3 4 5 6 SF36142</p> 
<p>SF054</p> <p>1 2 3 4 5 6 SF67054</p> 	<p>SF055</p> <p>1 578465 2 8792 3 H1512 4 X1217 5 31865 6 SF67055</p> 

OEM STYLE

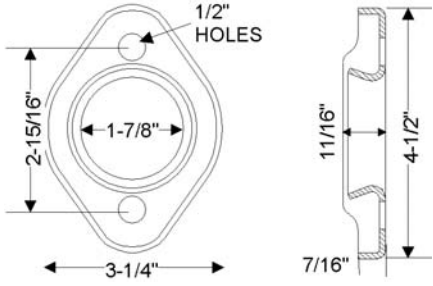
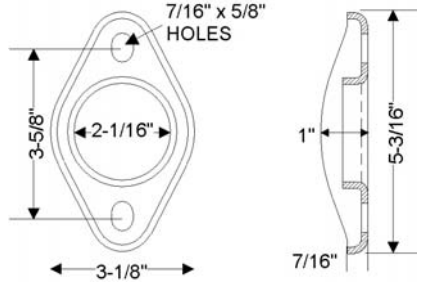
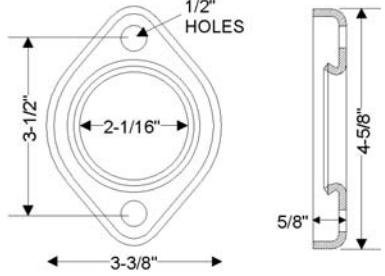
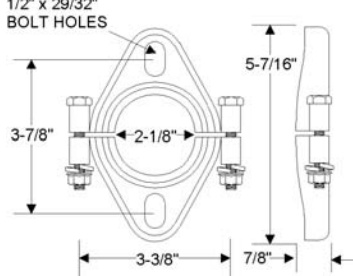
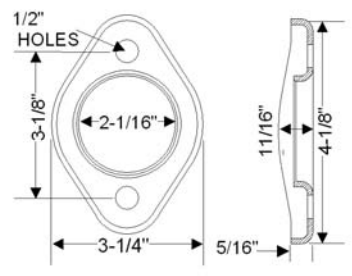
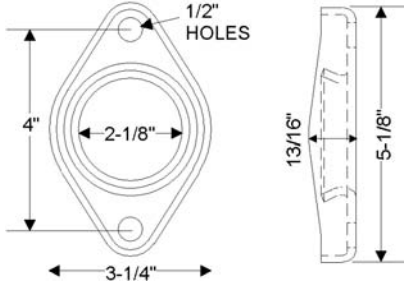
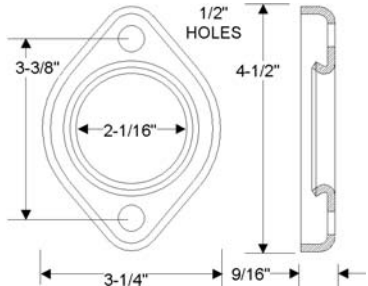
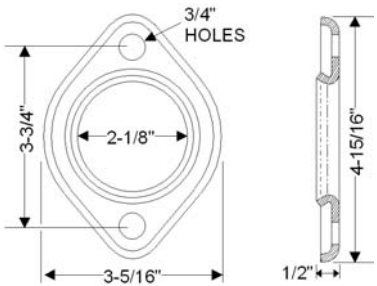
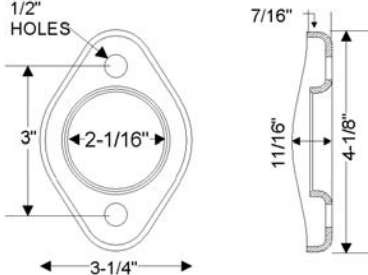
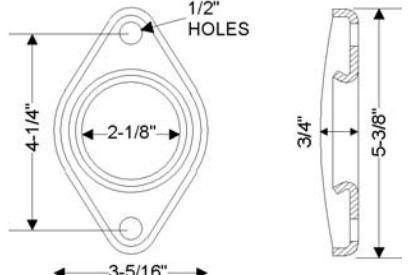
TYPE 3 continued	TYPE 4
<p>SF151</p> <p>1 2 3 4 5 31894 6 SF67055A</p> 	<p>SF923</p> <p>1 2 3 4 5 6 SF36063</p> 
<p>F108B</p> <p>1 2 9163 3 4 5 6 SF36102</p> 	<p>SF939</p> <p>1 2 3 4 5 6 SF67060</p> 
<p>SF273</p> <p>1 2 3 4 X1289 5 31942 6 SF36104</p> 	<p>SF025</p> <p>1 2 3 4 5 31858 6 SF67025</p> 
	<p>SF141</p> <p>1 578505 2 3 F28 4 X1234 5 31913 6 SF67072</p> 
	<p>SF014</p> <p>1 578508 2 8781 3 F13 4 X1129 5 6 SF67014</p> 

FLANGES & SPLIT FLANGES

OEM STYLE

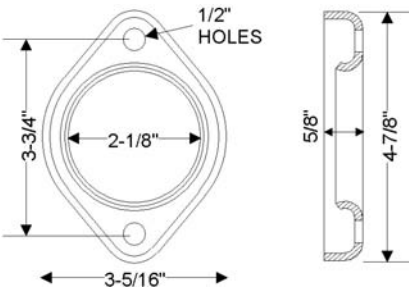
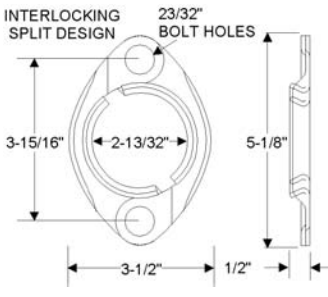
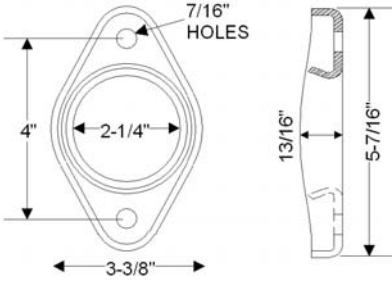
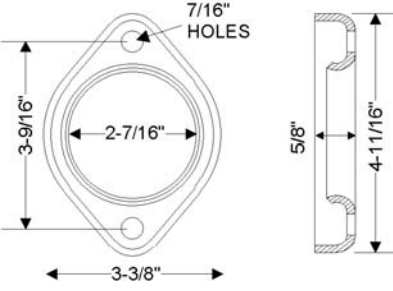
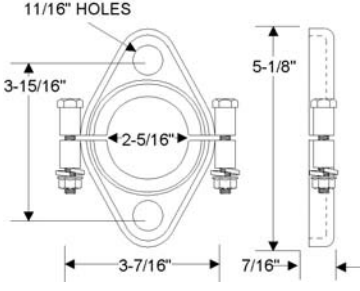
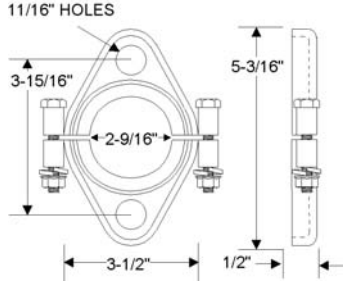
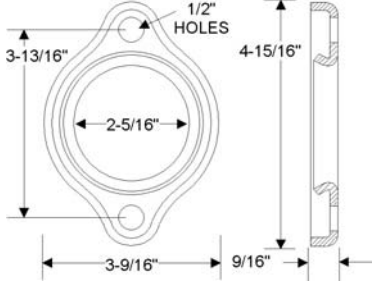
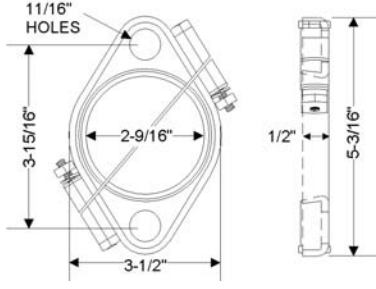
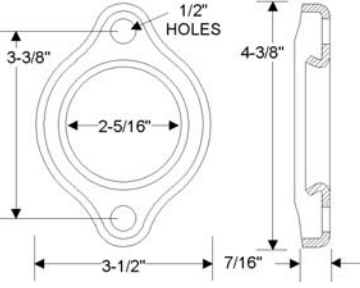
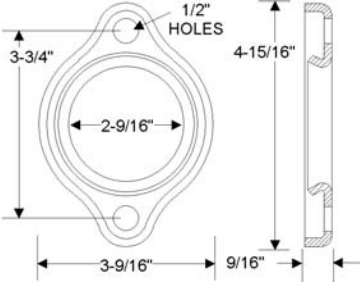
TYPE 4 continued	TYPE 4 continued
<p>SF069</p> <p>1 2 8785 3 4 X1139 5 31856 6 SF67052</p> 	<p>SF016</p> <p>1 578461 2 8779 3 F23 4 X1138 5 31855 6 SF67031</p> 
<p>SF100</p> <p>1 2 8782 3 H1532 4 X1137 5 31802 6 SF67020</p> 	<p>SF023</p> <p>1 578531 2 3 F59 4 5 6 SF67023</p> 
<p>SF030</p> <p>1 578464 2 8794 3 H1522 4 X1233 5 31863 6 SF67030A</p> 	<p>SF024</p> <p>1 578459 2 3 F21 4 X1136 5 31853 6 SF67024</p> 
<p>SF089</p> <p>1 2 3 4 X1051 5 31924 6 SF36055</p> 	
<p>SF013</p> <p>1 578463 2 8778 3 F25 4 X1140 5 31857 6 SF67013</p> 	

OEM STYLE

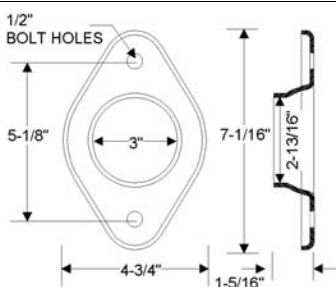
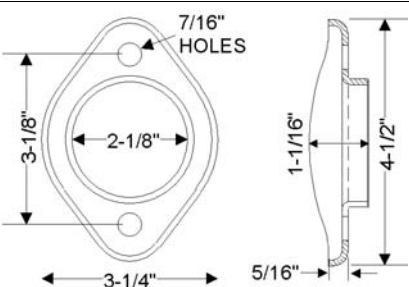
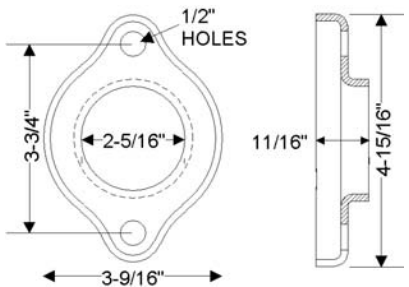
TYPE 5	TYPE 5 continued
<p>SF103</p> <p>1 578455 2 8790 3 F16 4 5 6 SF67047A</p> 	<p>SF157</p> <p>1 2 3 4 5 6 SF67101</p> 
<p>SF037</p> <p>1 2 8030 3 4 5 6 SF67037</p> 	<p>F107B</p> <p>1 2 3 4 5 6 SF36101</p> 
<p>SF039</p> <p>1 578456 2 8789 3 F17 4 X1133 5 31806 6 SF36058</p> 	<p>SF066</p> <p>1 2 3 H1529 4 X1216T 5 6 SF67066</p> 
<p>SF049</p> <p>1 2 3 4 X1219 5 31860 6 SF67049</p> 	<p>SF796</p> <p>1 2 3 4 5 6</p> 
<p>SF062</p> <p>1 578509 2 8783 3 F15 4 X1131 5 31804 6 SF67039</p> 	<p>SF672</p> <p>1 578538 2 3 F75 4 5 31905 6 SF67080</p> 

FLANGES & SPLIT FLANGES

OEM STYLE

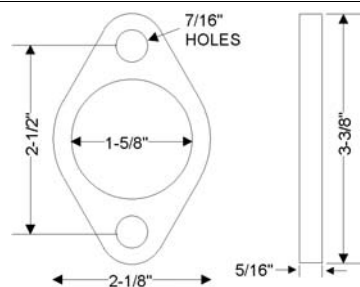
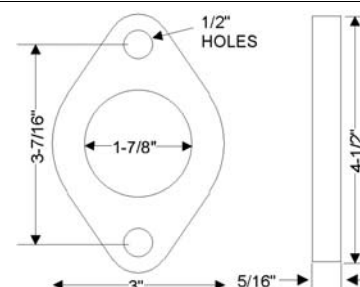
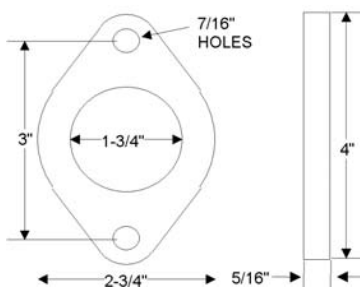
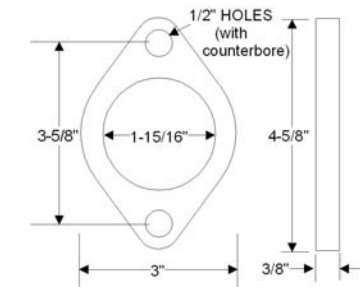
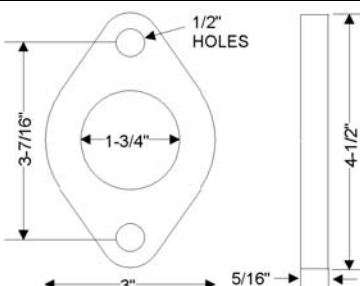
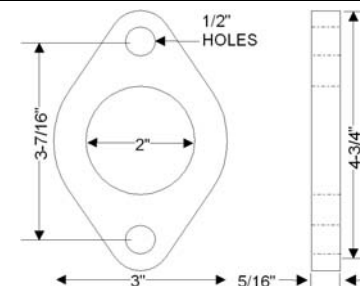
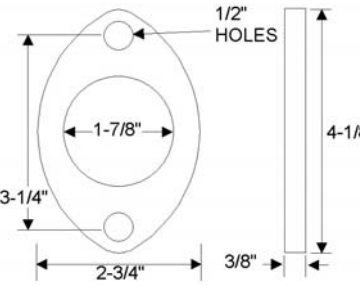
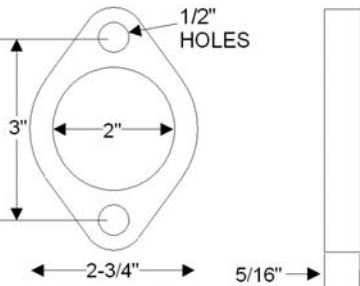
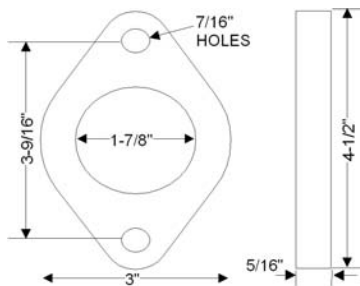
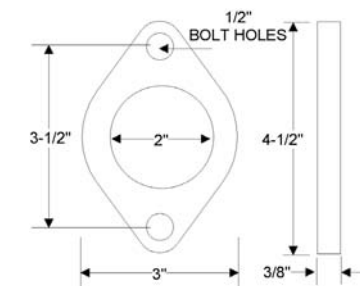
TYPE 5 continued	TYPE 5 continued
<p>SF906</p> <p>1 2 3 4 5 31890 6 SF67076</p> 	<p>F109B</p> <p>1 2 3 4 5 35455 6 SF36094</p> 
<p>SF082</p> <p>1 578477 2 9140 3 H1530 4 X1186T 5 31885 6 SF67082</p> 	<p>SF058</p> <p>1 578476 2 9969 3 H1527 4 X1215 5 31861 6 SF67058</p> 
<p>F74B</p> <p>1 2 3 H1499 4 5 35455 6 SF36077</p> 	<p>F103B</p> <p>1 2 3 4 5 6 SF36087</p> 
<p>SF032</p> <p>1 578541 2 8031 3 F78 4 5 31873 6 SF67032</p> 	<p>F163B</p> <p>1 2 3 4 5 6 SF36143</p> 
<p>SF038</p> <p>1 578452 2 8791 3 F12 4 X1128 5 31801 6 SF67038</p> 	<p>SF045</p> <p>1 578480 2 8029 3 F65 4 5 31887 6 SF67045</p> 

OEM STYLE

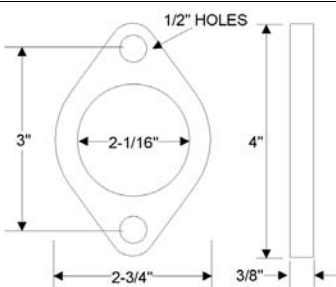
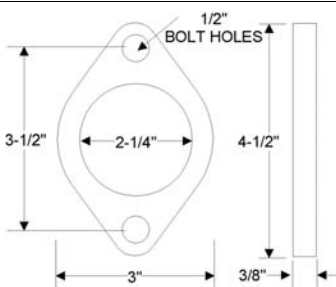
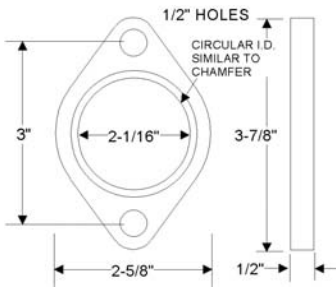
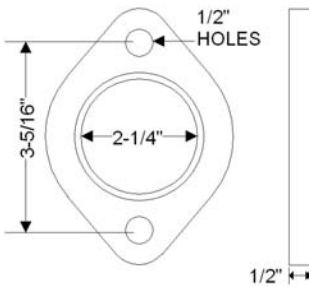
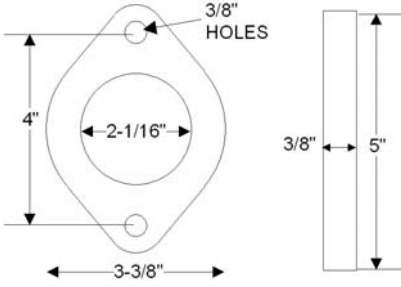
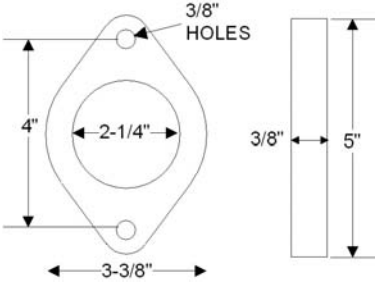
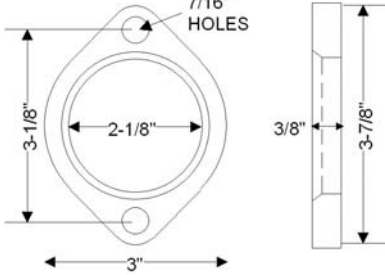
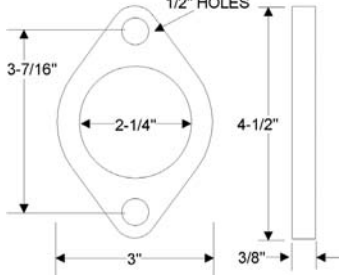
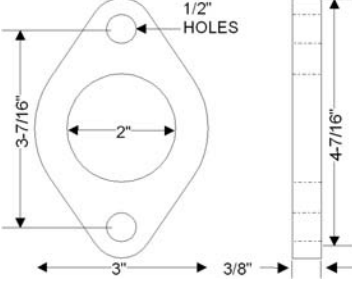
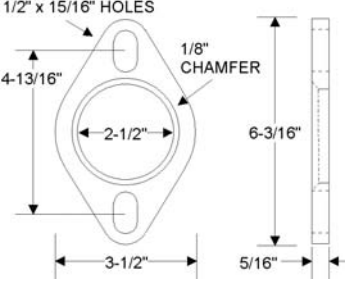
TYPE 5 continued	TYPE 6
<p>SF279</p> <p>1 2 3 4 5 6 SF36118</p> 	<p>SF040</p> <p>1 578457 2 8776 3 F19 4 X1134 5 31851 6 SF67040</p> 
	<p>SF044</p> <p>1 2 3 4 5 6 SF67044</p> 

FLANGES & SPLIT FLANGES

OEM STYLE

TYPE 7	TYPE 7 continued
<p>SF875</p> <p>1 2 3 4 X1145 5 6 SF56018</p> 	<p>SF882</p> <p>1 2 3 4 X1218 5 6 SF56033A</p> 
<p>SF922</p> <p>1 2 3 4 5 31926 6 SF56116</p> 	<p>SF111</p> <p>1 2 3 4 5 6</p> 
<p>SF944</p> <p>1 2 3 4 X1048 5 6 SF56035</p> 	<p>SF887</p> <p>1 2 3 4 5 6</p> 
<p>SF109</p> <p>1 2 3 H1533 4 5 6 SF66002</p> 	<p>SF905</p> <p>1 2 8788 3 F76 4 5 6 SF69010</p> 
<p>SF656</p> <p>1 2 3 4 5 6 SF56039</p> 	<p>SF956</p> <p>1 2 3 4 5 6 SF68034</p> 

OEM STYLE

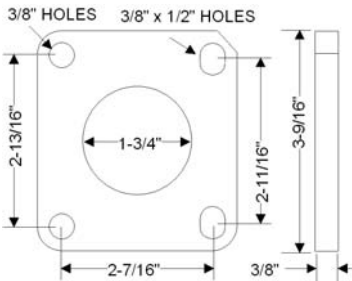
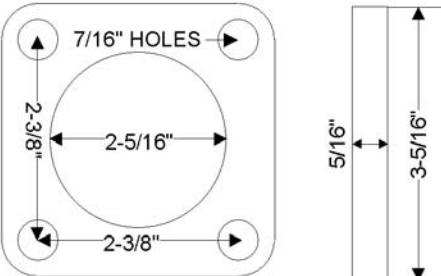
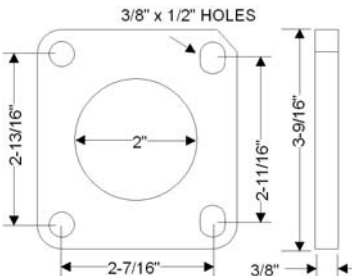
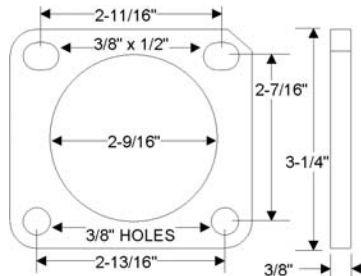
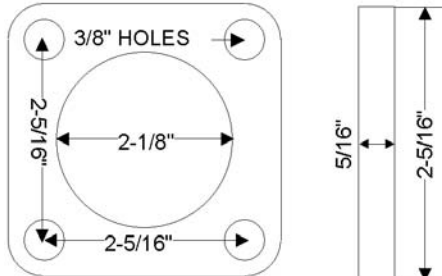
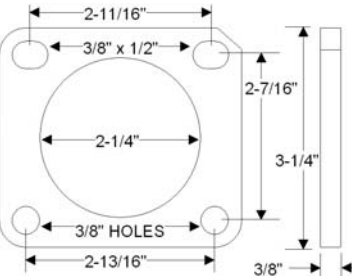
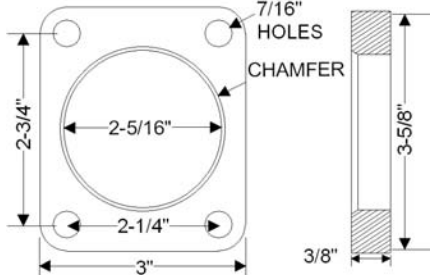
TYPE 7 continued	TYPE 7 continued
<p>SF033</p> <p>1 578451 2 8788 3 H1523 4 X1127 5 31800 6 SF68033</p> 	<p>SF773</p> <p>1 2 3 4 5 6 SF66195</p> 
<p>SF034</p> <p>1 2 3 4 5 6</p> 	<p>SF918</p> <p>1 2 3 4 5 6</p> 
<p>SF959</p> <p>1 2 3 4 5 6 SF68057</p> 	<p>SF958</p> <p>1 2 3 4 5 6 SF68047</p> 
<p>SF104</p> <p>1 2 8793 3 4 5 31808 6 SF68083</p> 	<p>SF960</p> <p>1 578471 2 3 4 5 6 SF68063</p> 
<p>SF800</p> <p>1 2 3 4 5 6</p> 	<p>SF888</p> <p>1 2 9162 3 4 X1271 5 31928 6 SF56115</p> 

FLANGES & SPLIT FLANGES

OEM STYLE

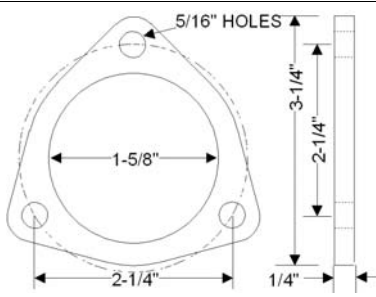
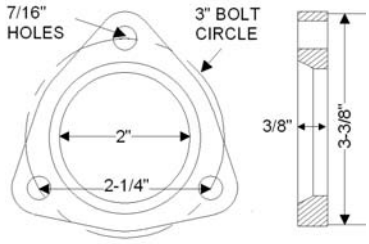
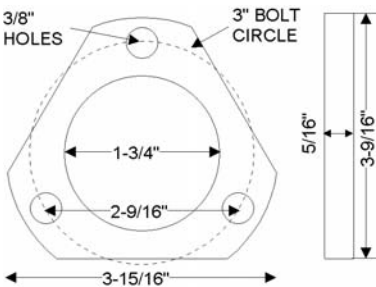
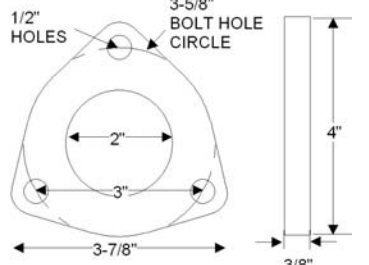
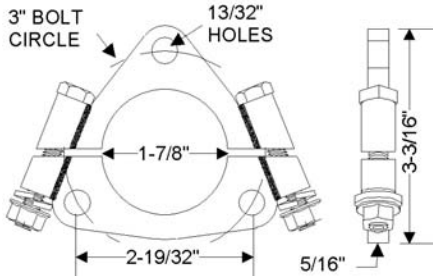
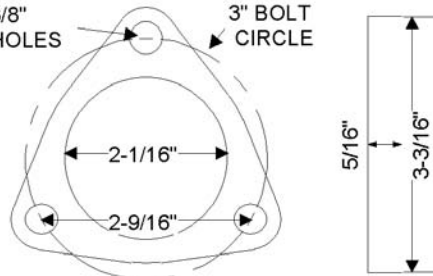
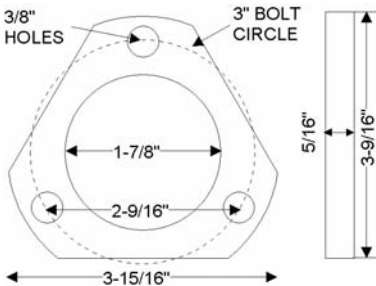
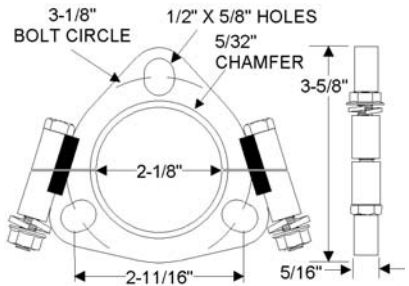
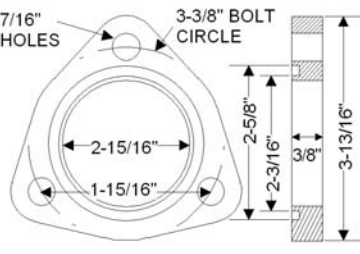
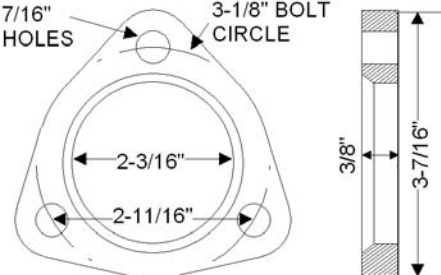
TYPE 7 continued		TYPE 7 continued	
SF946		SF952	
1 2 3 4 5 6		1 2 3 4 5 6 SF56308	
SF962			
1 2 3 4 5 6 SF69023			
SF957			
1 2 3 4 5 6 SF68038			
SF009			
1 2 3 4 5 6			
SF199			
1 2 3 4 5 6			

OEM STYLE

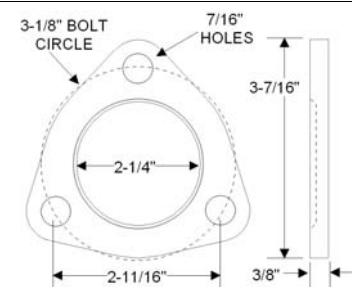
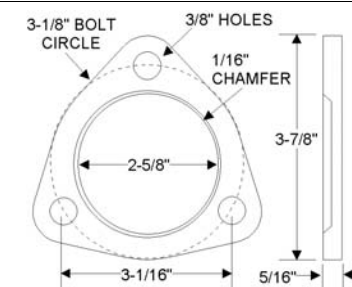
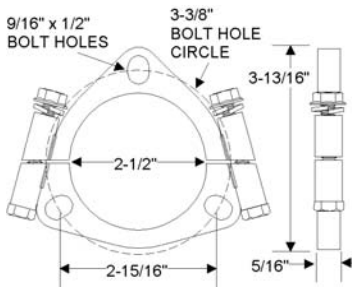
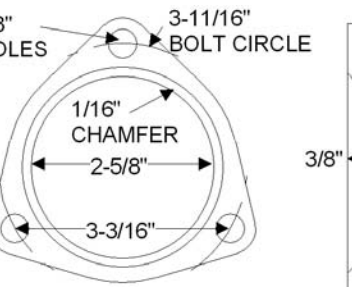
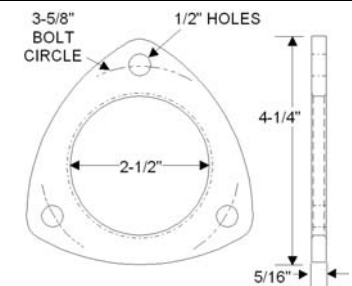
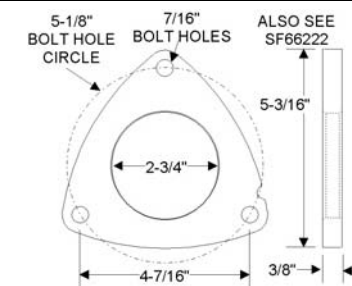
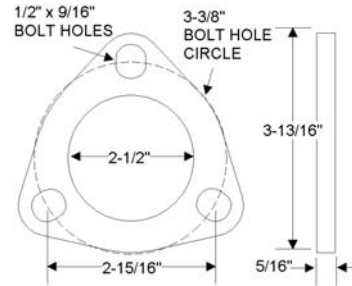
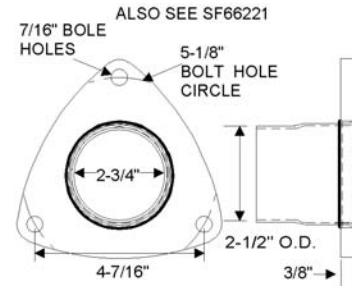
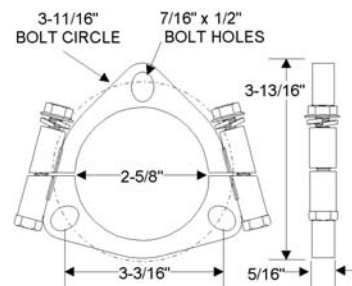
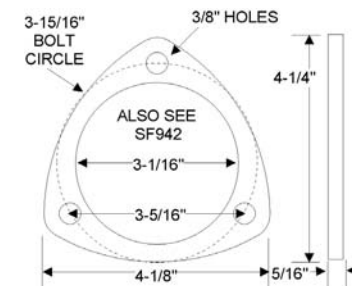
TYPE 8	TYPE 8 continued
<p>SF851</p> <p>1 2 3 4 X1212 5 6 SF68051</p> 	<p>SF902</p> <p>1 578536 2 3 F73 4 X1207 5 6 SF56059</p> 
<p>SF839</p> <p>1 2 3 4 X1208 5 31910 6 SF68039</p> 	<p>SF043</p> <p>1 578525 2 9143 3 H1525 4 X1230 5 31914 6 SF68043</p> 
<p>SF878</p> <p>1 2 3 4 X1204 5 6 SF56058</p> 	
<p>SF848</p> <p>1 2 9142 3 4 X1201 5 6 SF68048</p> 	
<p>SF121</p> <p>1 2 3 4 5 6</p> 	

FLANGES & SPLIT FLANGES

OEM STYLE

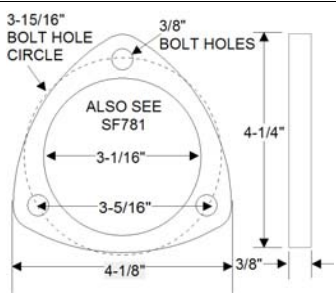
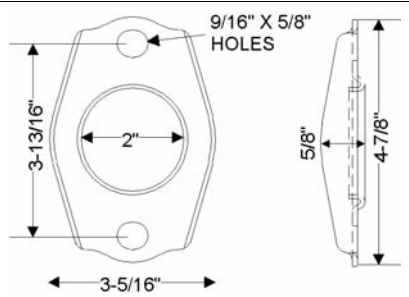
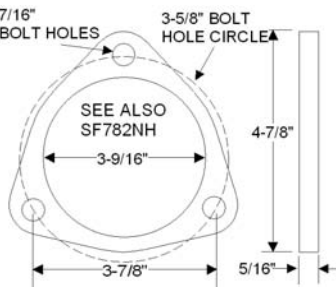
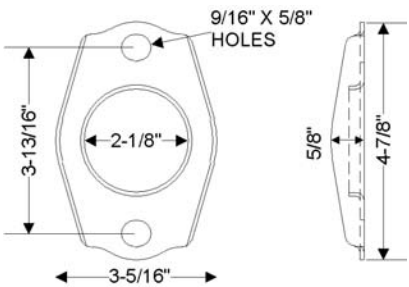
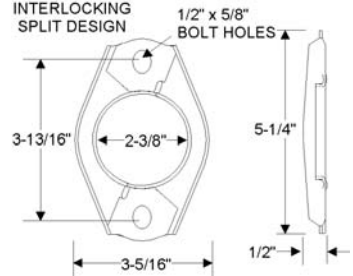
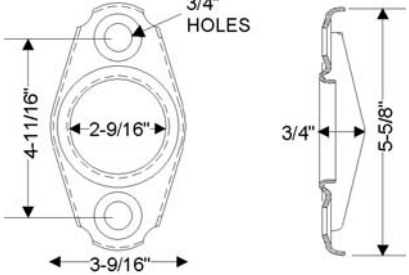
TYPE 9	TYPE 9 continued
<p>SF775</p>  <p>1 2 3 4 5 6</p>	<p>SF961</p>  <p>1 2 3 4 5 6 SF68100</p>
<p>SF949</p>  <p>1 2 3 4 5 6 SF56082</p>	<p>SF969</p>  <p>1 2 3 4 5 6 SF68086</p>
<p>F105B</p>  <p>1 2 3 4 5 36134 6 SF56165</p>	<p>SF048</p>  <p>1 2 3 4 5 31891 6 SF56065</p>
<p>SF768</p>  <p>1 2 3 4 5 6 SF56083</p>	<p>F106B</p>  <p>1 2 3 4 5 6 SF56168</p>
<p>SF929</p>  <p>1 2 3 4 5 6</p>	<p>SF148</p>  <p>1 578499 2 F81 3 4 5 6 SF68036</p>

OEM STYLE

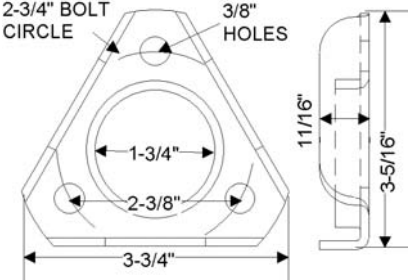
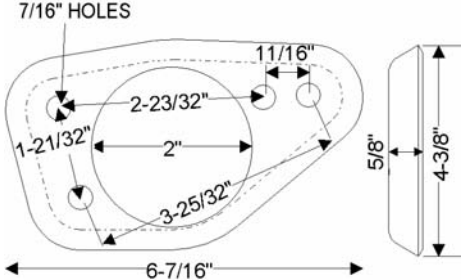
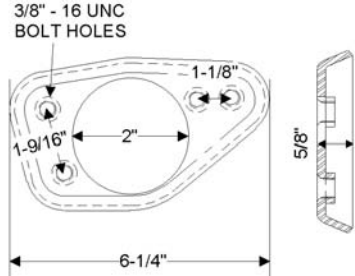
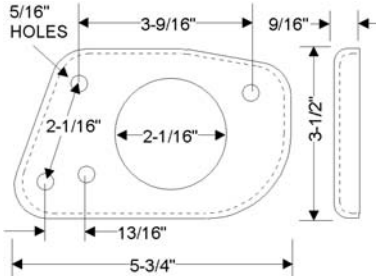
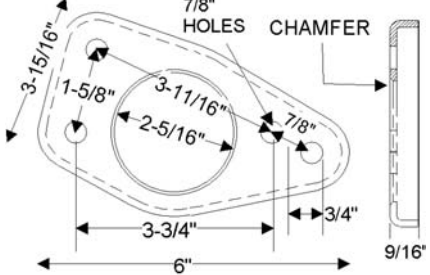
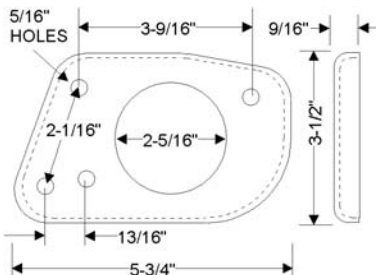
TYPE 9 continued	TYPE 9 continued
<p>SF147</p> <p>1 2 3 H1508 4 5 31940 6 SF68055</p> 	<p>SF064</p> <p>1 2 8034 3 4 X1141 5 31923 6 SF56073</p> 
<p>F160B</p> <p>1 2 3 4 5 6 SF56241</p> 	<p>SF864</p> <p>1 578467 2 8032 3 H1509 4 5 31923 6 SF68064</p> 
<p>SF885</p> <p>1 2 3 4 5 6</p> 	<p>SF926</p> <p>1 2 3 4 5 6 SF66221</p> 
<p>SF951</p> <p>1 2 3 4 5 6 SF56240</p> 	<p>SF928</p> <p>1 2 3 4 5 6 SF66222</p> 
<p>F144B</p> <p>1 2 3 4 5 6 SF56244</p> 	<p>SF781</p> <p>1 2 8033 3 H1547 4 5 6 SF56152</p> 

FLANGES & SPLIT FLANGES

OEM STYLE

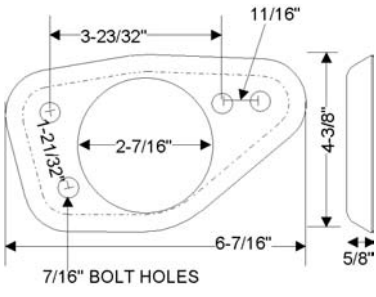
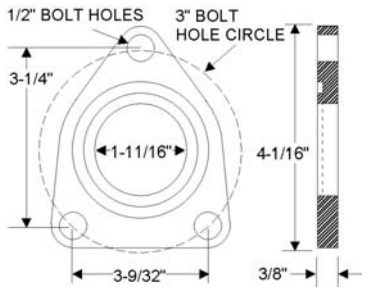
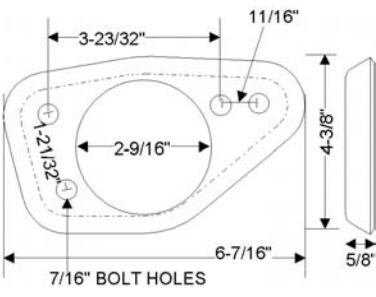
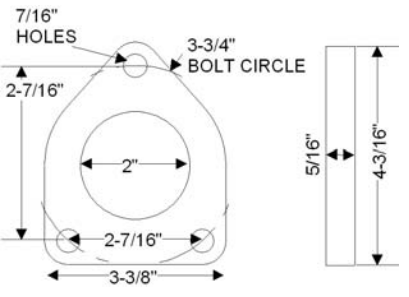
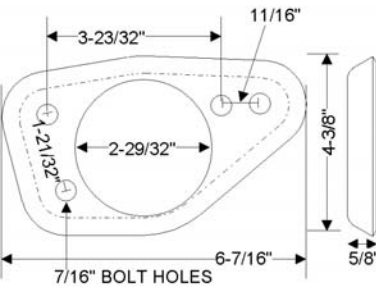
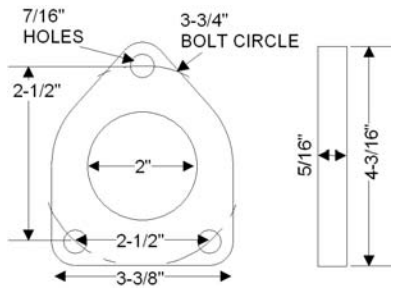
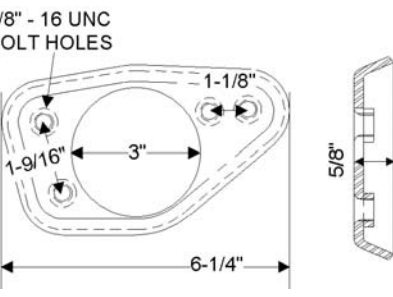
TYPE 9 continued	TYPE 12
<p>SF942</p> <p>1 2 3 4 5 6 SF66193</p> 	<p>SF143</p> <p>1 2 3 4 5 6 SF67098</p> 
<p>SF782</p> <p>1 2 3 4 5 6 SF56242</p> 	<p>SF149</p> <p>1 2 9074 3 4 X1267 5 31916 6 SF67098A</p> 
	<p>F110B</p> <p>1 2 3 4 5 6 SF36098</p> 
	<p>SF917</p> <p>1 578511 2 3 F95 4 5 31936 6 SF36082</p> 

OEM STYLE

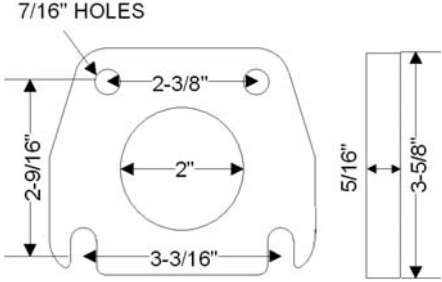
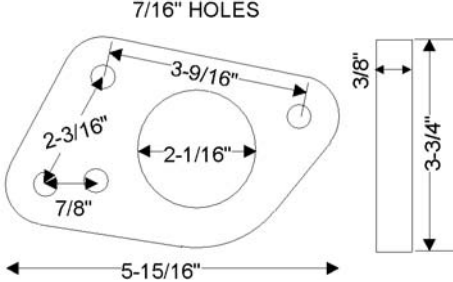
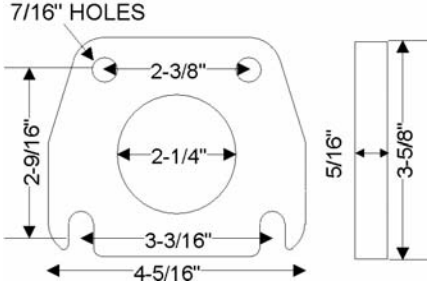
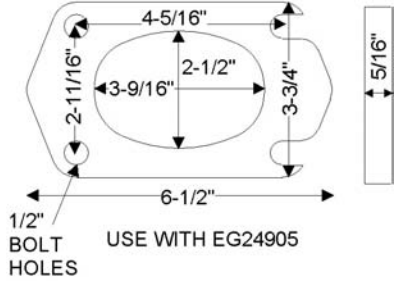
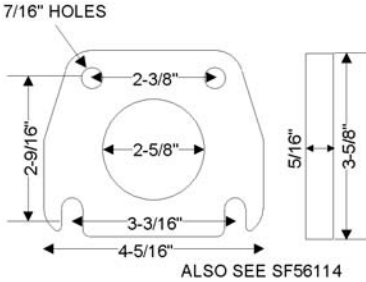
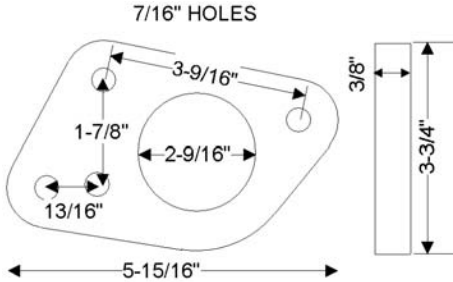
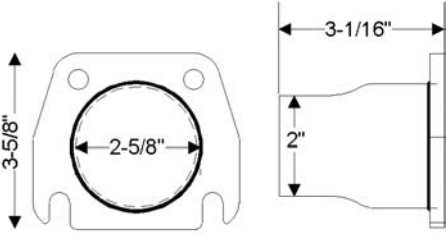
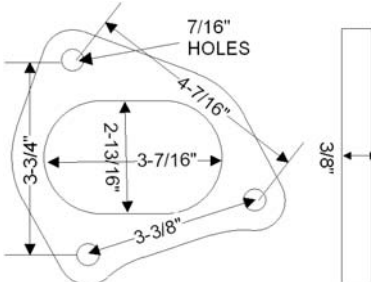
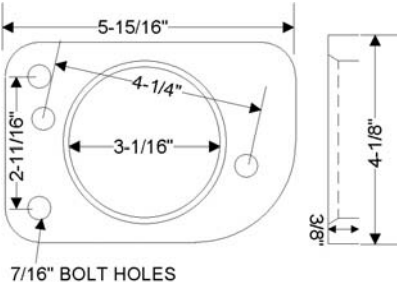
TYPE 13	TYPE 14
<p>SF161</p> <p>1 2 3 4 5 6 SF36026</p> 	<p>FL200</p> <p>1 2 3 4 5 6 SF67611Y</p> 
	<p>SF965</p> <p>1 2 3 4 5 6 SF36145</p> 
	<p>SF792</p> <p>1 2 3 4 X1254 5 6 SF36052</p> 
	<p>SF788</p> <p>1 578529 2 3 F57 4 X1249 5 31922 6 SF36048</p> 
	<p>SF794</p> <p>1 2 3 4 X1255 5 6 SF36053</p> 

FLANGES & SPLIT FLANGES

OEM STYLE

TYPE 14 continued	TYPE 15
<p>FL225</p> <p>1 2 3 H1550 4 5 6 SF67611A</p> 	<p>SF798</p> <p>1 2 3 4 X1274 5 6 SF66066</p> 
<p>FL250</p> <p>1 578528 2 9144 3 H1551 4 5 31893 6 SF67611D</p> 	<p>SF295</p> <p>1 2 3 4 5 6 SF56014A</p> 
<p>FL300</p> <p>1 2 3 H1552 4 5 6 SF67611</p> 	<p>SF895</p> <p>1 2 3 4 5 6</p> 
<p>SF966</p> <p>1 2 3 4 5 6 SF36146</p> <p>3/8" - 16 UNC BOLT HOLES</p> 	

OEM STYLE

TYPE 17	TYPE 18
<p>SF868</p> <p>1 2 9161 3 H1568 4 X1313 5 6 SF56093</p> 	<p>SF910</p> <p>1 578544 2 3 F85 4 5 31933 6 SF66168</p> 
<p>SF866</p> <p>1 2 9160 3 H1569 4 X1288 5 6 SF56097</p> 	<p>SF869</p> <p>1 2 3 H1588 4 X1314 5 6 SF56120</p>  <p>1/2\" BOLT HOLES USE WITH EG24905</p>
<p>SF865</p> <p>1 2 3 H1570 4 5 31951 6 SF56096</p>  <p>ALSO SEE SF56114</p>	<p>SF909</p> <p>1 578543 2 3 F84 4 5 31915 6 SF66170</p> 
<p>SF920</p> <p>1 2 3 4 5 35300 6 SF56114</p>  <p>ALSO SEE SF56096</p>	<p>SF921</p> <p>1 2 3 4 5 6 SF66158</p> 
	<p>SF925</p> <p>1 2 3 4 5 31935 6 SF66169</p>  <p>7/16\" BOLT HOLES</p>

SPLIT FLANGES

OEM & UNIVERSAL TYPE

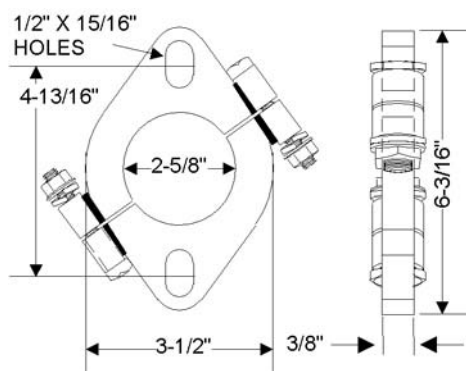
UNIVERSAL		F106B UNIVERSAL	F116B
1 2 3 4 5 6 SF56168	<p>3-1/8" BOLT CIRCLE 1/2" X 5/8" HOLES 5/32" CHAMFER 2-1/8" 2-11/16" 3-5/8" 5/16"</p>	<p>7/16" X 7/8" HOLES 3-1/2" 2-1/8" 3" 3/8"</p>	<p>4-7/8"</p>
FITS 2" PIPE		FITS 2" PIPE	
UNIVERSAL		F112B UNIVERSAL	F118B
1 2 3 4 5 6 SF56304	<p>9/16" X 11/16" HOLES 3-1/16" 1-5/8" 2-3/4" 5/16"</p>	<p>1/2" X 7/8" HOLES 3-7/8" 2-5/16" 3-1/2" 5/16"</p>	<p>5-1/4"</p>
FITS 1-1/2" PIPE		FITS 2-1/4" PIPE	
UNIVERSAL		F114B UNIVERSAL	F120B
1 2 3 4 5 6 SF56303	<p>9/16" X 11/16" HOLES 3-1/16" 1-3/4" 2-3/4" 5/16"</p>	<p>1/2" X 7/8" HOLES 3-7/8" 2-9/16" 3-1/2" 5/16"</p>	<p>5-1/4"</p>
FITS 1-3/4" PIPE		FITS 2-1/2" PIPE	

UNIVERSAL

F165B BUICK

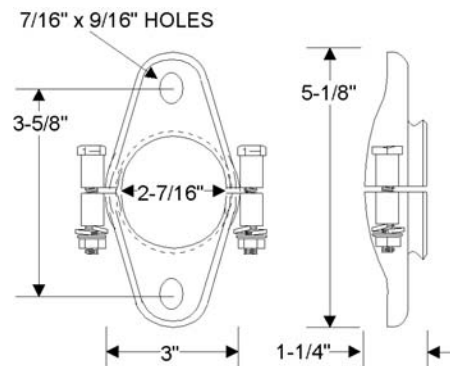
F101B

- 1
- 2
- 3
- 4
- 5
- 6 SF66237



FITS 2-1/2" PIPE

- 1
- 2
- 3
- 4
- 5 36131
- 6 SF36085



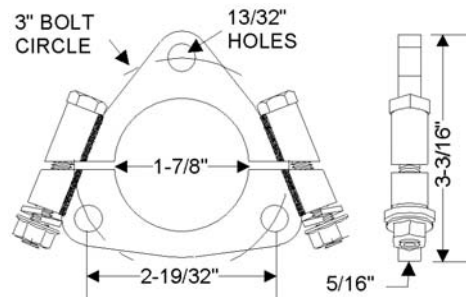
1980-85 CENTURY, REGAL 231, 252, 265, 301, 305, 307, 350; 1965-67 SKYLARK 225; 1981-85 ELECTRA, LESABRE, PARK AVE., ESTATE WAGON 231, 252, 307; 1980 ELECTRA, ESTATE WAGON, LESABRE, PARK AVE. 301, 350R, X; 1973-74 ESTATE WAGON 455; 1968-69 SPORTWAGON 350, 400 ; CONVERTER-REAR

AUDI

F105B BUICK

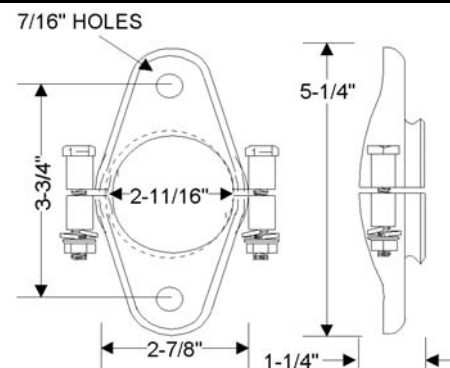
F102B

- 1
- 2
- 3
- 4
- 5 36134
- 6 SF56165



1988-92 80 2.0L; 1988-91 90 2.3L; 1980-87 4000 1.7L, 1.8L, 2.2L; 1980-86 5000 2.2L, 2.3L ; CONVERTER

- 1
- 2
- 3
- 4
- 5 36130
- 6 SF36086



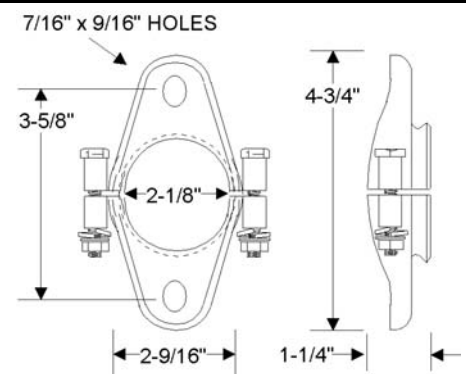
1975-79 CENTURY, CUSTOM, REGAL, RIVIERA, SPECIAL 231, 305, 350; 1990-92 ESTATE WAGON, ROADMASTER 305, 307, 350; 1976-79 ESTATE WAGON, LESABRE 231, 301, 305; 1975-77 LESABRE, RIVIERA, 350R, 403, 455; 1977-79 ELECTRA 350H, R, X, 403 ; CONVERTER-REAR

BUICK

F100B BUICK

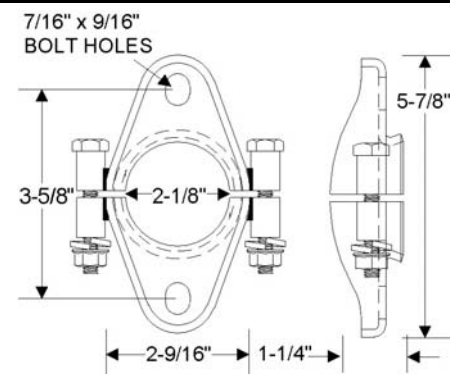
F124B

- 1
- 2
- 3
- 4
- 5 36132
- 6 SF36084



FITS 2" PIPE
1978-79 CENTURY, REGAL 196(3.2L), 231(3.8L), 301(4.9L), 305(5.0L), 350(5.7L) ; CONVERTER-REAR

- 1
- 2
- 3
- 4
- 5
- 6 SF36127

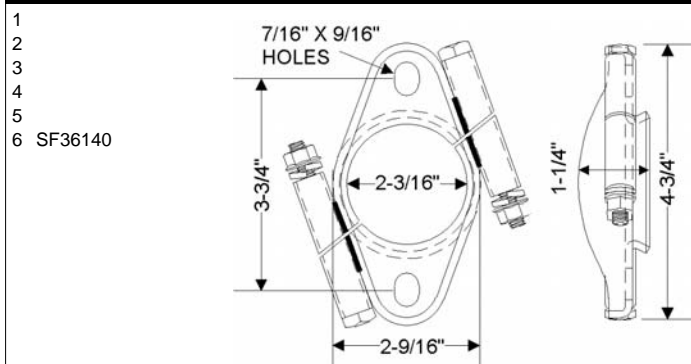


FITS 1-3/4" PIPE
1978-79 CENTURY, REGAL 196(3.2L), 231(3.8L). ; CONVERTER

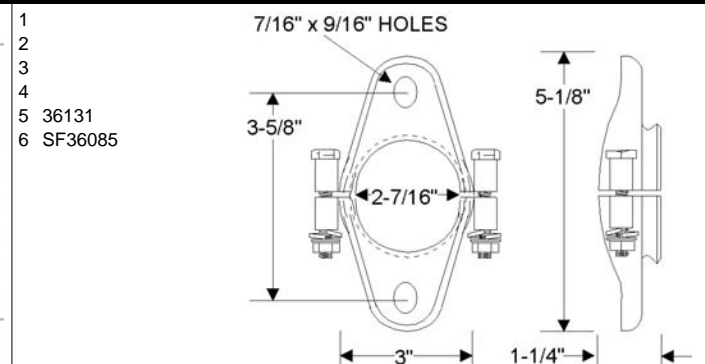
SPLIT FLANGES

OEM & UNIVERSAL TYPE

BUICK F161B CADILLAC F101B

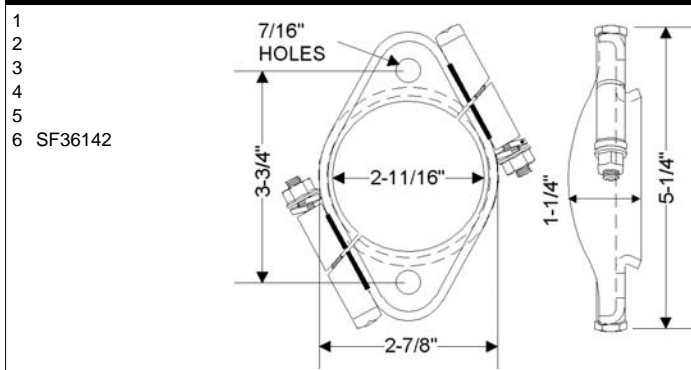


FITS 2" PIPE
1978-79 CENTURY, REGAL 196(3.2L), 231(3.8L),
301(4.9L), 305(5.0L), 350(5.7L)
; CONVERTER-REAR

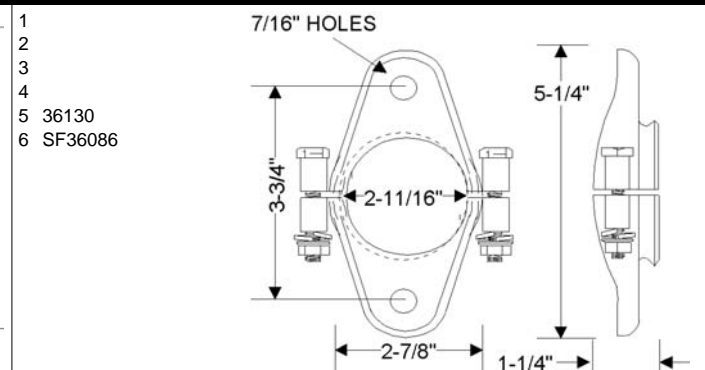


1986-90 FLEETWOOD(RWD) 307(5.0L); 1982-85
DEVILLE, FLEETWOOD 252(4.1L), 368(6.0L); 1982-85
ELDORADO, SEVILLE 250(4.1L); 1980-82 252(4.1L),
368(6.0L); 1979-80 350(5.7L)
; CONVERTER-REAR

BUICK F162B CADILLAC F102B

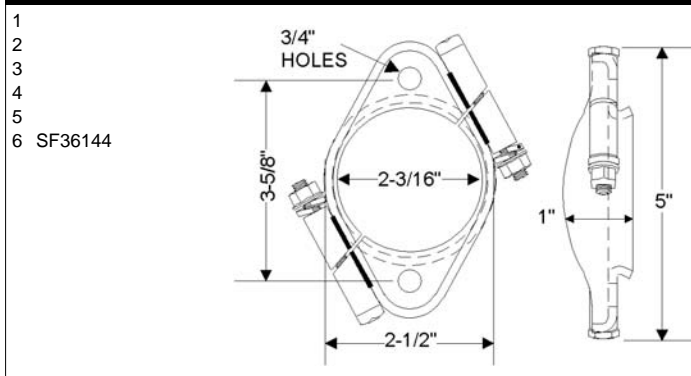


1975-79 CENTURY, CUSTOM, REGAL, RIVIERA,
SPECIAL 231, 305, 350;
1990-92 ESTATE WAGON, ROADMASTER 305, 307,
350; 1976-79 ESTATE WAGON, LESABRE 231, 301,
305; 1975-77 LESABRE, RIVIERA, 350R, 403, 455; 1977-
79 ELECTRA 350H, R, X, 403
; CONVERTER-REAR

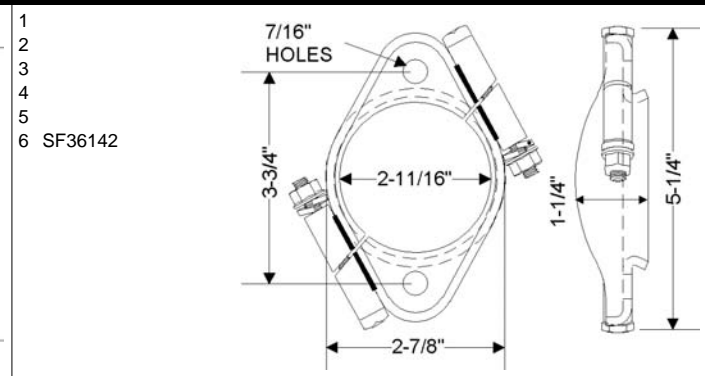


1991-92 BROUGHAM 305(5.0L), 350(5.7L); 1977-79
DEVILLE, FLEETWOOD 425(6.9L); 1979 ELDORAO
350(5.7L); 1977-79 SEVILLE 350(5.7L)
; CONVERTER-REAR

BUICK F164B CADILLAC F162B



1985-95 CENTURY 2.8L, 3.1L, 3.3L
1985-89 SKYHAWK 2.0L
1985-91 SKYLARK 2.5L
; EXHAUST PIPE

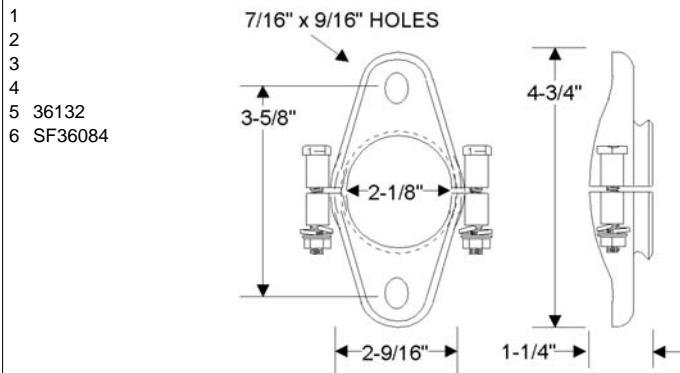


1991-92 BROUGHAM 305(5.0L), 350(5.7L);
1977-79 DEVILLE, FLEETWOOD 425(6.9L); 1979
ELDORAO 350(5.7L);
1977-79 SEVILLE 350(5.7L)
; CONVERTER-REAR

CHEVROLET

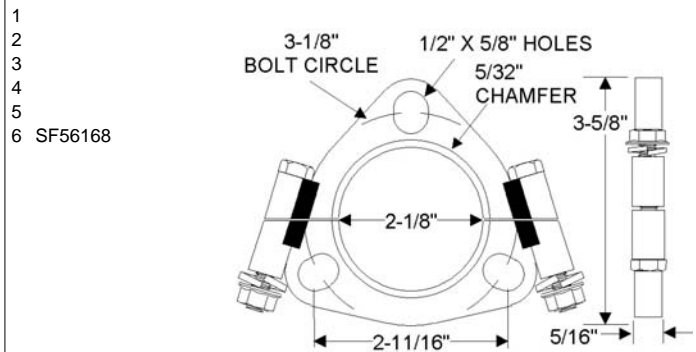
F100B CHEVROLET

F106B



- 1
- 2
- 3
- 4
- 5 36132
- 6 SF36084

FITS 2" PIPE
 1978-79 MALIBU, MONTE CARLO, EL CAMINO
 200(3.3L), 231(3.8L), 250(4.1L), 267(4.3L), 305(5.0L),
 350(5.7L)
 ; CONVERTER-REAR



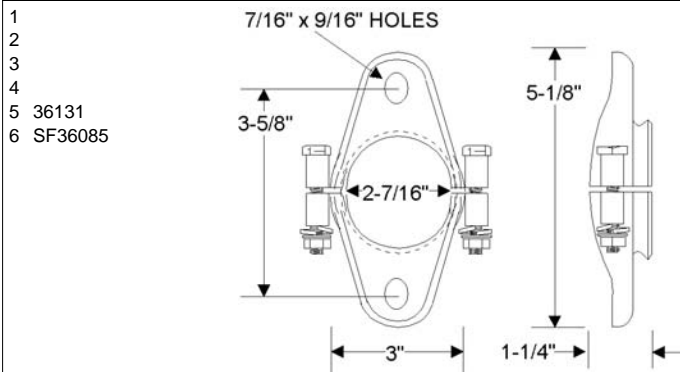
- 1
- 2
- 3
- 4
- 5 SF56168
- 6

FITS 2" PIPE
 1957-66 BEL AIR, BISCAYNE, IMPALA 283(4.6L),
 327(5.2L); 1955-62 CORVETTE 265(4.3L), 283(4.6L),
 327(5.2L); 1969-74 350(5.7L), 427(7.0L); 1964-67
 CHEVELLE, EL CAMINO, MALIBU 283(4.6L), 327(5.2L)
 ; EXHAUST PIPE

CHEVROLET

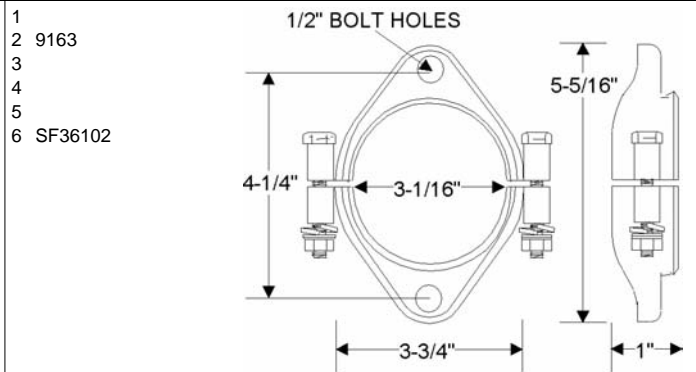
F101B CHEVROLET

F108B



- 1
- 2
- 3
- 4
- 5 36131
- 6 SF36085

1980-82 CAMARO, CAPRICE, IMPALA, MALIBU,
 MONTE CARLO 267(4.3L); 1980-81 CAMARO,
 MALIBU, MONTE CARLO 229(3.8L), 231(3.8L),
 305(5.0L), 350(5.7L); 1984 MONTE CARLO 231(3.8L);
 1980-80 CAPRICE, IMPALA 305(5.0L), 350(5.7L); 1981-
 84 229(3.8L), 231(3.8L), 307(5.0L)
 ; CONVERTER-REAR



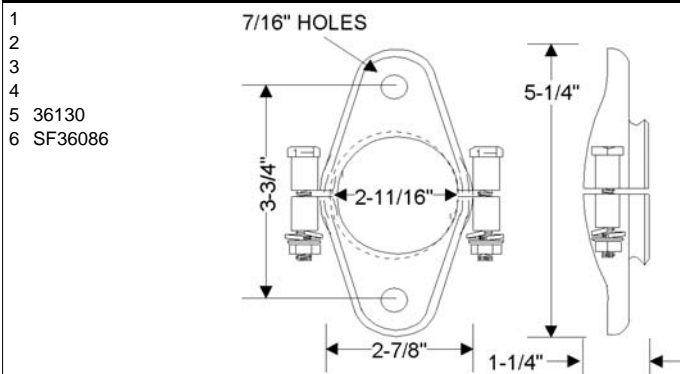
- 1
- 2 9163
- 3
- 4
- 5 SF36102
- 6

1986-89 CAMARO 305F,G(5.0L); 1987-89 350(5.7L);
 1986-91 CORVETTE 350(5.7L)
 ; EXHAUST PIPE

CHEVROLET

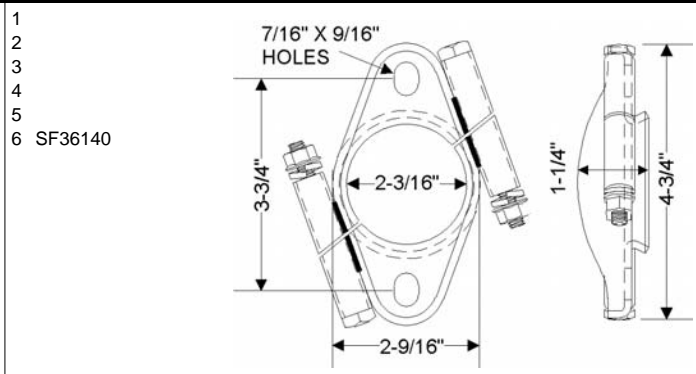
F102B CHEVROLET

F161B



- 1
- 2
- 3
- 4
- 5 36130
- 6 SF36086

1983-92 CAPRICE, IMPALA 350(5.7L); 1981-92
 CAPRICE, IMPALA 305(5.0L); 1975-79 CAPRICE,
 IMPALA 250(4.1L), 305(5.0L), 350(5.7L), 400(6.6L); 1975-
 79 MALIBU, MONTE CARLO 267(4.3L), 305(5.0L),
 350(5.7L), 400(6.6L); 1975-77 250(4.1L)
 ; CONVERTER-REAR



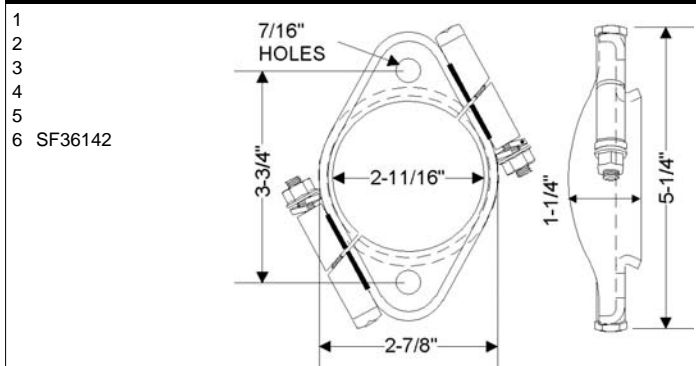
- 1
- 2
- 3
- 4
- 5 SF36140
- 6

FITS 2" PIPE
 1978-79 MALIBU, MONTE CARLO, EL CAMINO
 200(3.3L), 231(3.8L), 250(4.1L),
 267(4.3L), 305(5.0L), 350(5.7L)
 ; CONVERTER-REAR

SPLIT FLANGES

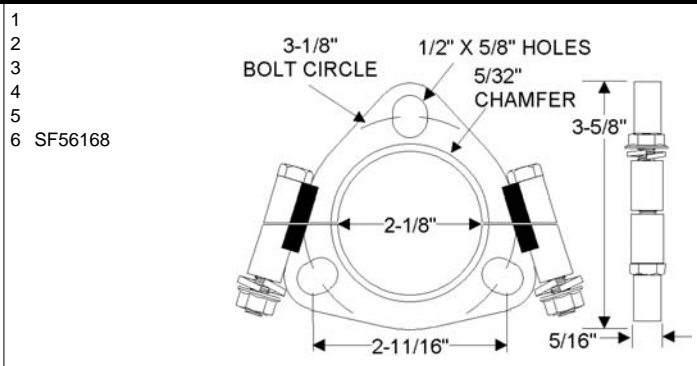
OEM & UNIVERSAL TYPE

CHEVROLET F162B CHEVROLET TRUCK F106B



1
2
3
4
5
6 SF36142

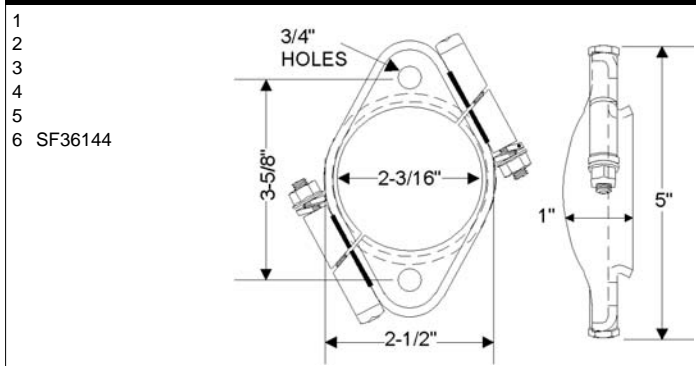
1983-92 CAPRICE, IMPALA 350(5.7L); 1981-92 CAPRICE, IMPALA 305(5.0L); 1975-79 CAPRICE, IMPALA 250(4.1L), 305(5.0L), 350(5.7L), 400(6.6L); 1975-79 MALIBU, MONTE CARLO 267(4.3L), 305(5.0L), 350(5.7L), 400(6.6L); 1975-77 250(4.1L); **CONVERTER-REAR**



1
2
3
4
5
6 SF56168

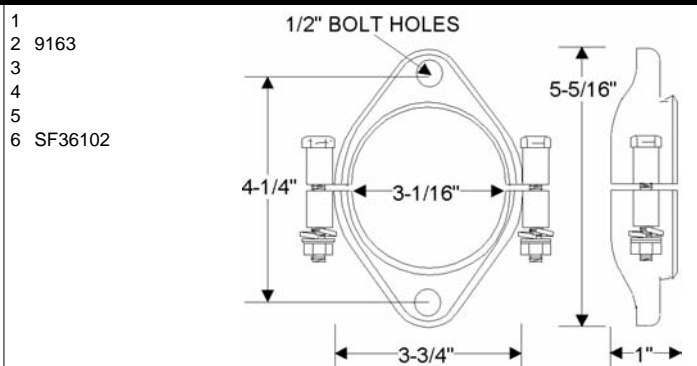
FITS 2" PIPE
1958-78 C10, C20, C30 230(3.8L), 250(4.1L), 292(4.8L), 283(4.6L), 327(5.2L), 307(5.0L), 350(5.7L); 1979-85 50 & 60 SERIES 292(4.8L), 350(5.7L); **EXHAUST PIPE**

CHEVROLET F164B CHEVROLET TRUCK F108B



1
2
3
4
5
6 SF36144

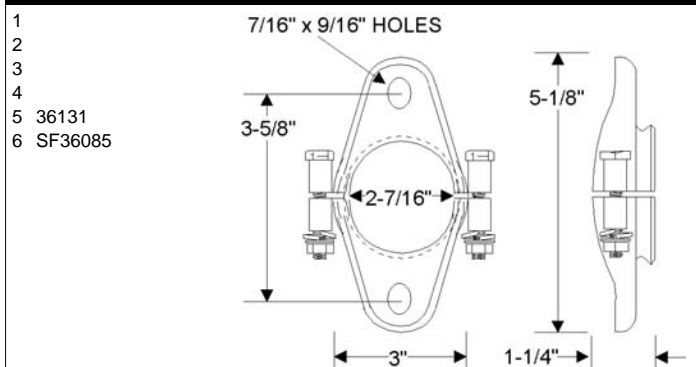
1985-94 CAVALIER 2.0L, 2.8L
1985-90 CELEBRITY 2.5L, 2.8L
1990-94 LUMINA 2.5L, 3.1L
EXHAUST PIPE



1
2 9163
3
4
5
6 SF36102

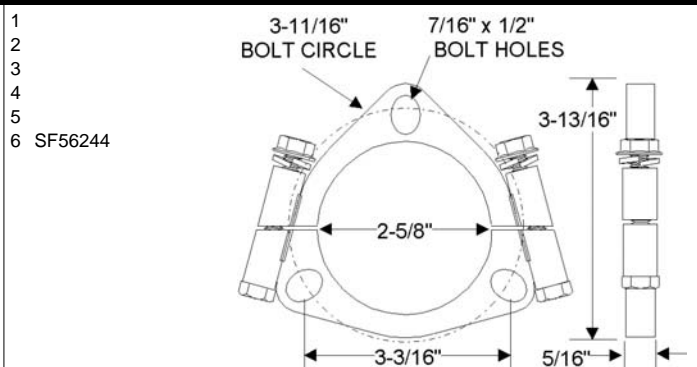
1979-89 C5D, C6D, C7D SCHOOL BUS 350(5.7L), 366(5.9L), 427(7.0L)
EXHAUST PIPE

CHEVROLET TRUCK F101B CHEVROLET TRUCK F144B



1
2
3
4
5 36131
6 SF36085

1982-91 S10 PICKUP, S15 SONOMA PICKUP 119(1.9L), 122(2.0L), 151(2.5L), 173(2.8L) 2WD;
1982-88 S10 PICKUP, S15 SONOMA PICKUP 119(1.9L), 122(2.0L), 151(2.5L), 173(2.8L) 4WD;
1983-88 S10 BLAZER, S15 JIMMY 119(1.9L), 122(2.0L), 151(2.5L), 2WD, 4WD
CONVERTER-REAR



1
2
3
4
5
6 SF56244

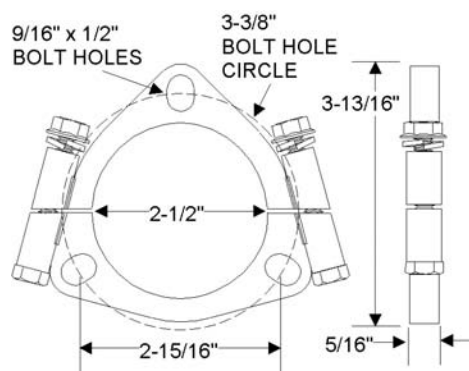
1988-94 C15, C25, C35, K15, K25, K35 PICKUP AND SUBURBAN 4.3L, 5.0L, 5.7L, 6.2L
EXHAUST PIPE

CHEVROLET TRUCK

F160B FORD

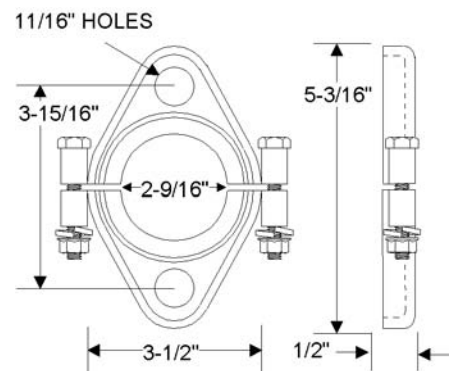
F103B

- 1
- 2
- 3
- 4
- 5
- 6 SF56241



1990-93 C25, K25 PICKUP 4.3L(262),
1988-95 C10; C20; C30; K10; K20; K30 PICKUP
5.0L(305), 5.7L(350)
; EXHAUST PIPE

- 1
- 2
- 3
- 4
- 5
- 6 SF36087



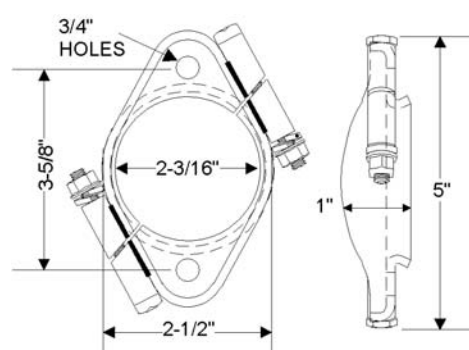
1986-94 TAURUS, 1989-94 TAURUS SHO 3.0L;
1991-94 POLICE SEDAN 3.8L
; CONVERTER

CHEVROLET TRUCK

F164B FORD

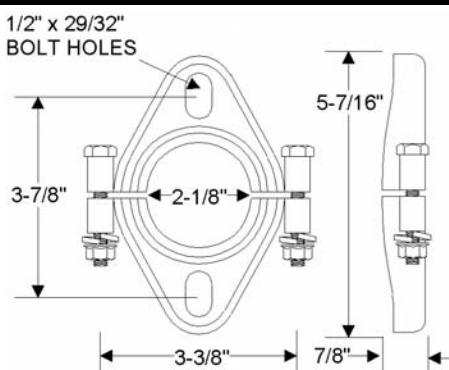
F107B

- 1
- 2
- 3
- 4
- 5
- 6 SF36144



1990-92 LUMINA VAN 3.1L
1985-93 S10, BLAZER 2.8L, 4.3L
; EXHAUST PIPE

- 1
- 2
- 3
- 4
- 5
- 6 SF36101



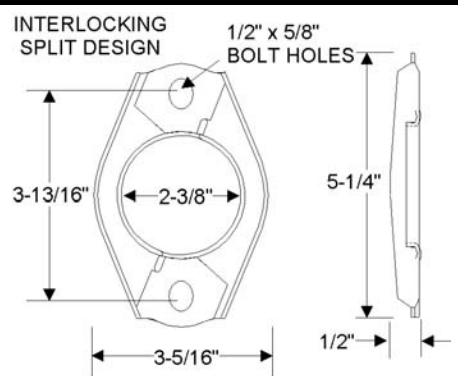
1982-91 COUNTRY SQUIRE, CROWN VICTORIA, LTD,
MUSTANG, THUNDERBIRD 302, 351;
1980 FAIRMONT, GRANADA, PINTO 140(2.3L);
1985-86 LTD 232(3.8L); 1983 THUNDERBIRD 302(5.0L);
1983-86 MUSTANG 140(2.3L)
; EXHAUST PIPE

DODGE

F110B FORD

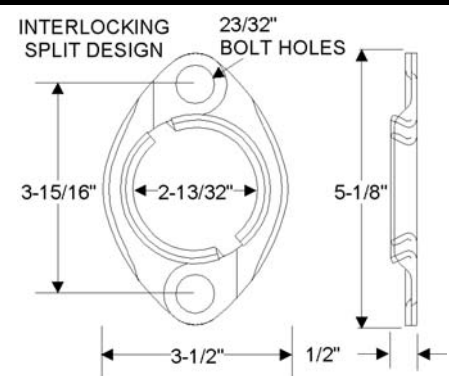
F109B

- 1
- 2
- 3
- 4
- 5
- 6 SF36098



1979-90 CHARGER, OMNI, (1.6L), (1.7L), (2.2L);
1981-89 400, 600, ARIES, LANCER (2.2L), (2.5L),
(2.6L); 1986-94 DAYTONA, SHADOW, SPIRIT (2.2L),
(2.5L), (3.0L), (3.3L);
1981-94 LEBARON (2.2L), (2.5L), (2.6L), (3.0L)
TURBO AND NON-TURBO
; EXHAUST PIPE

- 1
- 2
- 3
- 4
- 5 35455
- 6 SF36094



1982-85 ESCORT 98(1.6L); 1985-90 ESCORT
116(1.9L); 1984-86 ESCORT, TEMPO 122(2.0L)
DIESEL; 1984-92 TEMPO 140(2.3L); 1992-94 183(3.0L)
1986-90 TAURUS 153(2.5L)
; CONVERTER

SPLIT FLANGES

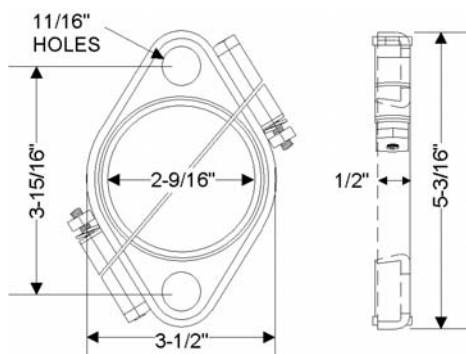
OEM & UNIVERSAL TYPE

FORD

F163B GMC TRUCK

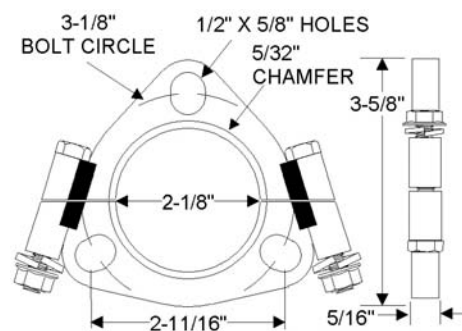
F106B

- 1
- 2
- 3
- 4
- 5
- 6 SF36143



1986-94 TAURUS, 1989-94 TAURUS SHO 3.0L;
; CONVERTER

- 1
- 2
- 3
- 4
- 5
- 6 SF56168



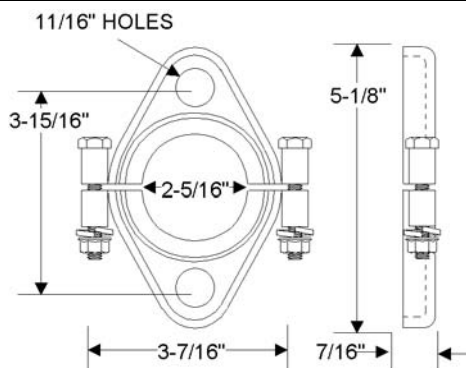
FITS 2" PIPE
1958-78 C1500, C2500, C3500 230(3.8L), 250(4.1L),
292(4.8L), 283(4.6L), 327(5.2L), 307(5.0L), 350(5.7L):
1979-85 50 & 60 SERIES 292(4.8L), 350(5.7L)
; EXHAUST PIPE

FORD

F74B GMC TRUCK

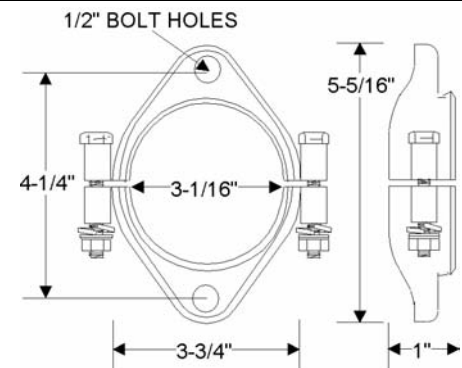
F108B

- 1
- 2
- 3 H1499
- 4
- 5 35455
- 6 SF36077



1982-85 ESCORT 98(1.6L); 1985-90 ESCORT
116(1.9L); 1984-86 ESCORT, TEMPO 122(2.0L)
DIESEL; 1984-92 TEMPO 140(2.3L); 1992-94 183(3.0L)
1986-90 TAURUS 153(2.5L)
; CONVERTER

- 1
- 2 9163
- 3
- 4
- 5
- 6 SF36102



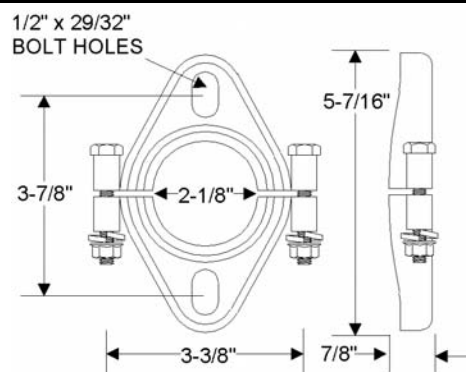
1979-89 C5D, C6D, C7D SCHOOL BUS 350(5.7L),
366(6.0L), 427(7.0L)

FORD TRUCK

F107B GMC TRUCK

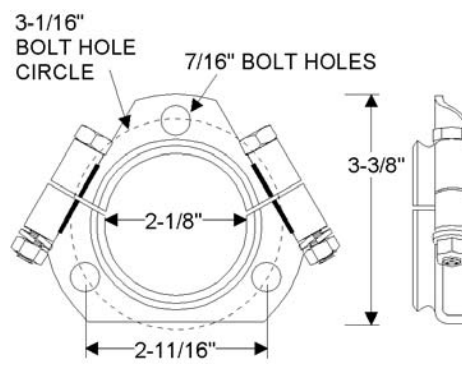
F138B

- 1
- 2
- 3
- 4
- 5
- 6 SF36101



1984-86 BRONCO, E150, E250, E350
F150, F250, F350 302, 351
; EXHAUST PIPE

- 1
- 2
- 3
- 4
- 5
- 6 SF36128



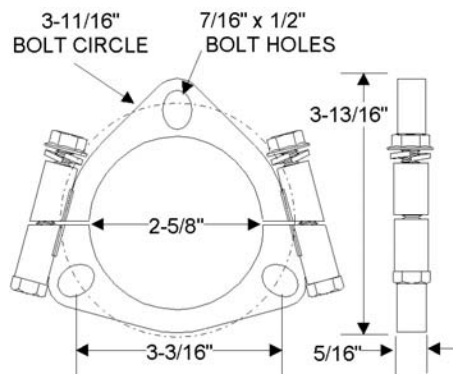
1956-69 C10, 292, 305E;
1967-70 G10 283, 307, 327, 350; 1960-72 K10 283, 307,
350; 1960-69 C20 283, 305E, 327;
1967-70 G20 283, 307, 350; 1969-72 K20, 307, 350; 1969-
74 50 & 60 SERIES 350
; EXHAUST PIPE

GMC TRUCK

F144B MERCURY

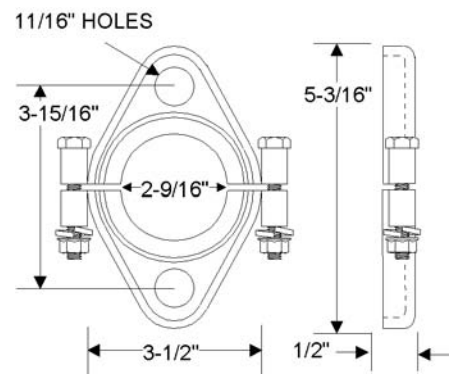
F103B

- 1
- 2
- 3
- 4
- 5
- 6 SF56244



1988-94 C1500, C2500, C3500, K1500, K2500, K3500
PICKUP AND SUBURBAN 4.3L, 5.0L, 5.7L, 6.2L
; EXHAUST PIPE

- 1
- 2
- 3
- 4
- 5
- 6 SF36087



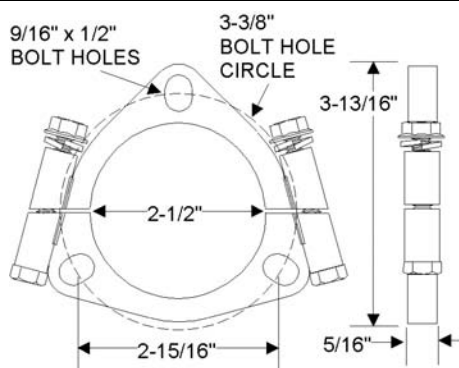
1986-94 SABLE; 1991-94 POLICE SEDAN 3.8L
; CONVERTER

GMC TRUCK

F160B MERCURY

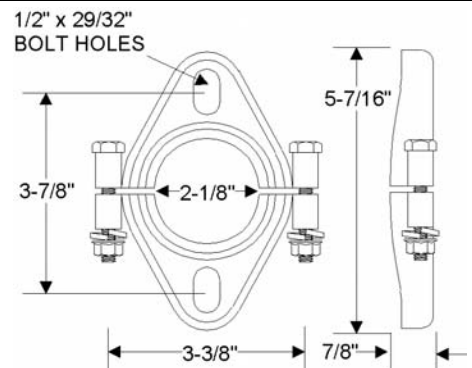
F107B

- 1
- 2
- 3
- 4
- 5
- 6 SF56241



1990-93 C2500, K2500 PICKUP 4.3L(262)
1988-95 C1500; C2500; C3500; K1500; K2500; K3500
; EXHAUST PIPE

- 1
- 2
- 3
- 4
- 5
- 6 SF36101



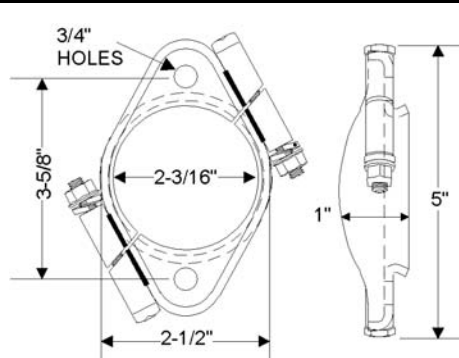
1980-91 CAPRI, COLONY PARK, COUGAR, GRAND
MARQUIS, MARQUIS 302, 351;
1980 BOBCAT, CAPRI, MONARCH, ZEPHYR 140(2.3L);
1985-86 MARQUIS 232(3.8L); 1983 COUGAR 302(5.0L)
; EXHAUST PIPE

GMC TRUCK

F164B MERCURY

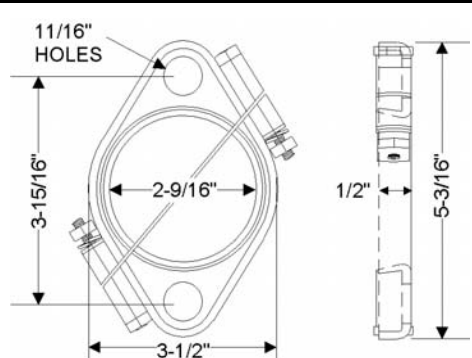
F163B

- 1
- 2
- 3
- 4
- 5
- 6 SF36144



1985-93 S15, JIMMY, SONOMA 2.8L, 4.3L
; EXHAUST PIPE

- 1
- 2
- 3
- 4
- 5
- 6 SF36143

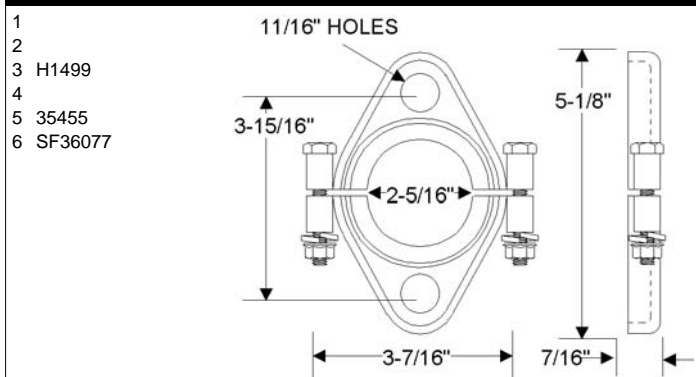


1986-94 SABLE; 1991-94 POLICE SEDAN 3.8L
; CONVERTER

SPLIT FLANGES

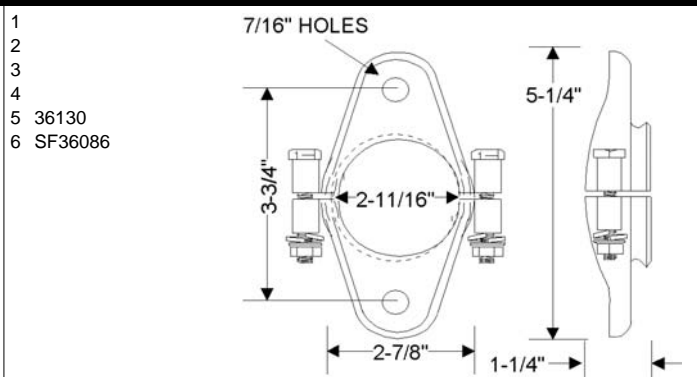
OEM & UNIVERSAL TYPE

MERCURY F74B OLDSMOBILE F102B



1
2
3 H1499
4
5 35455
6 SF36077

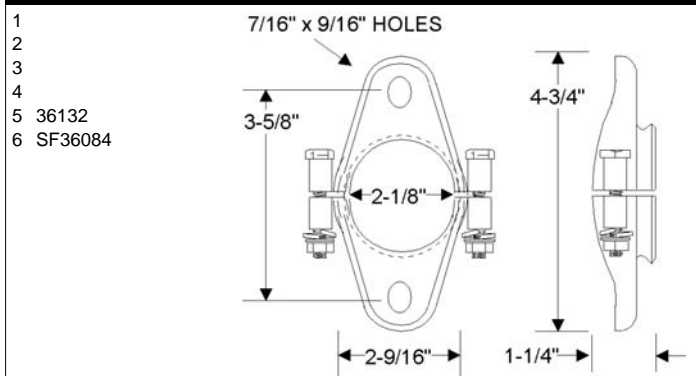
1982-85 LYNX 98(1.6L); 1985-90 LYNX 116(1.9L); 1984-86 LYNX, TOPAZ 122(2.0L) DIESEL; 1984-92 TOPAZ 140(2.3L); 1986-90 SABLE 153(2.5L)
; CONVERTER



1
2
3
4
5 36130
6 SF36086

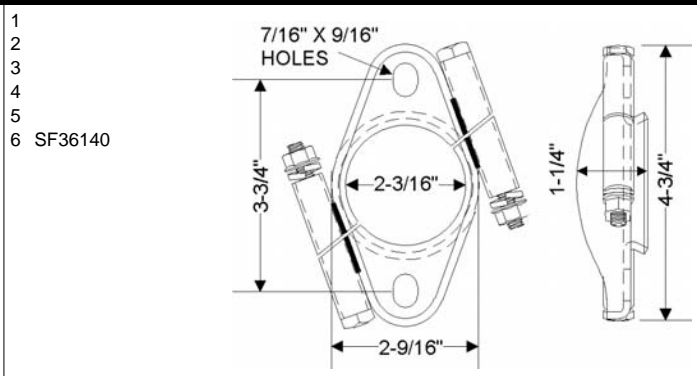
1979 TORONADO 350; 1978-79 CUTLASS 305, 350; 1975-77 250, 260, 350, 455; 1977 231, 403; 1975-76 CUSTOM CRUISER, DELTA 88, 98 REGENCY 350, 400, 455; 1977-79 CUSTOM CRUISER, DELTA 88, ROYALE, 98 REGENCY 231, 350, 403; 1979 DELTA 88 301; 1977 DELTA 88, ROYALE 260
; CONVERTER-REAR

OLDSMOBILE F100B OLDSMOBILE F161B



1
2
3
4
5 36132
6 SF36084

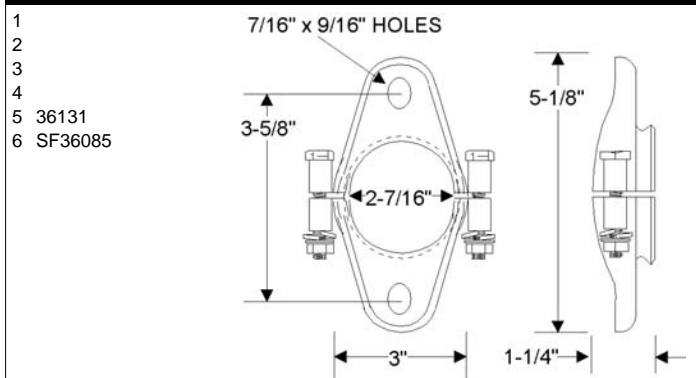
FITS 2" PIPE
1978-79 CUTLASS 231(3.8L), 260(4.3L), 305(5.0L), 350(5.7L)
; CONVERTER-REAR



1
2
3
4
5
6 SF36140

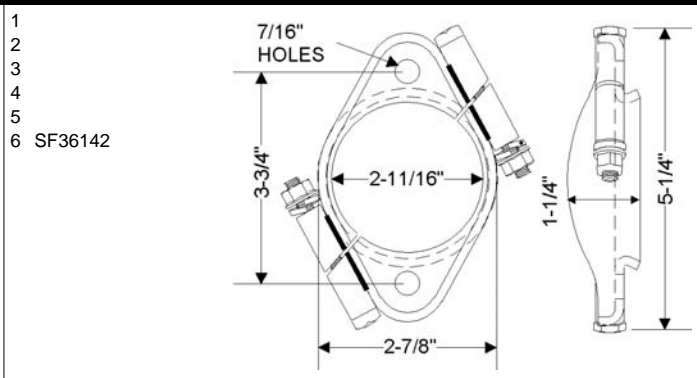
FITS 2" PIPE
1978-79 CUTLASS 231(3.8L), 260(4.3L), 305(5.0L), 350(5.7L)
; CONVERTER-REAR

OLDSMOBILE F101B OLDSMOBILE F162B



1
2
3
4
5 36131
6 SF36085

1981-88 CUTLASS 307, 1980-87 231; 1980-90 CUSTOM CRUISER 307; 1980-85 DELTA 88, ROYALE 231; 1980-85 98 REGENCY, DELTA 88 307; 1981-83 98 REGENCY 252; 1980-82 CUTLASS, DELTA 88 260; 1980 DELTA 88, 98 REGENCY 350; 1981-85 TORONADO 307, 350; 1981-84 252
; CONVERTER-REAR



1
2
3
4
5
6 SF36142

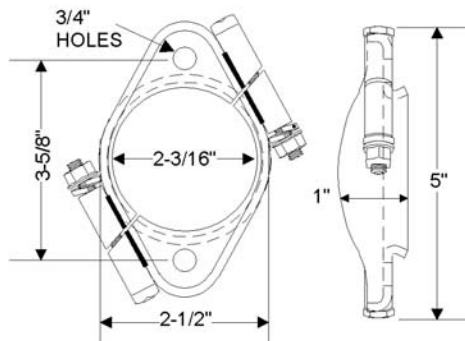
1979 TORONADO 350; 1978-79 CUTLASS 305, 350; 1975-77 250, 260, 350, 455; 1977 231, 403; 1975-76 CUSTOM CRUISER, DELTA 88, 98 REGENCY 350, 400, 455; 1977-79 CUSTOM CRUISER, DELTA 88, ROYALE, 98 REGENCY 231, 350, 403; 1979 DELTA 88 301; 1977 DELTA 88, ROYALE 260
; CONVERTER-REAR

OLDSMOBILE

F164B PONTIAC

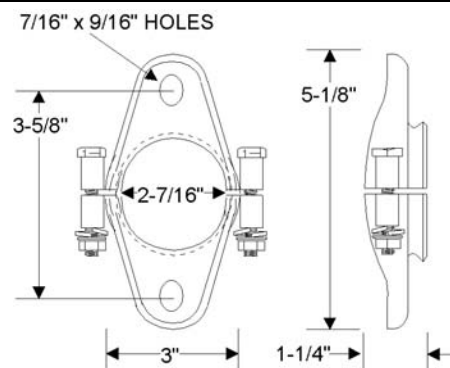
F101B

- 1
- 2
- 3
- 4
- 5
- 6 SF36144



1985-93 CIERA 2.5L, 2.8L
 1988-93 CUTLASS 1988-93 2.3L, 2.5L, 2.8L, 3.1L
 1985-88 FIRENZA 2.0L
 ; EXHAUST PIPE

- 1
- 2
- 3
- 4
- 5 36131
- 6 SF36085



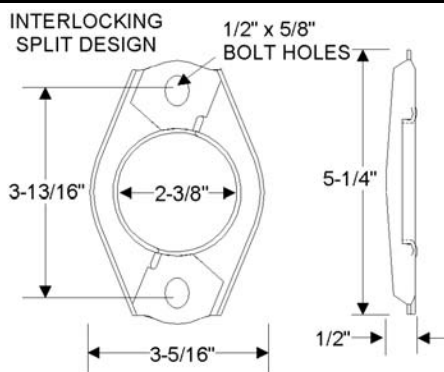
1981 BONNEVILLE, CATALINA , SAFARI 307; 1980-81
 BONNEVILLE, CATALINA 231, 265, 301, 350R,X;
 1987-89 SAFARI 307; 1986 PARISIENNE 307;
 1984 231; 1980-87 GRAND PRIX 231;1982 252; 1980-81
 FIREBIRD, GRAND PRIX 231, 265, 301, 305; 1980-81
 LEMANS 229, 231, 265, 301
 ; CONVERTER-REAR

PLYMOUTH

F110B PONTIAC

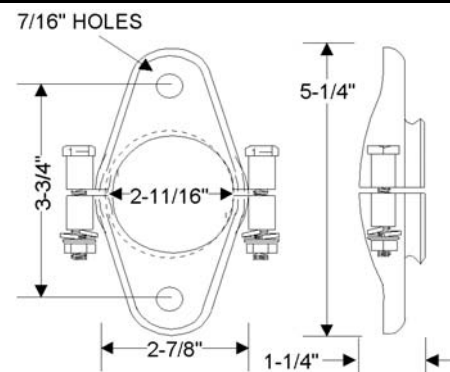
F102B

- 1
- 2
- 3
- 4
- 5
- 6 SF36098



1979-90 HORIZON, TURISMO (1.6L), (1.7L), (2.2L);
 1981-89 CARAVELLE, LASER, RELIANT (2.2L), (2.5L),
 (2.6L); 1986-94 ACCLAIM, SUNDANCE (2.2L), (2.5L),
 (3.0L), (3.3L);
 TURBO AND NON-TURBO
 ; EXHAUST PIPE

- 1
- 2
- 3
- 4
- 5 36130
- 6 SF36086



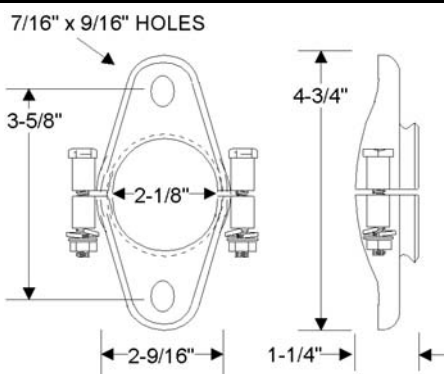
1975-79 BONNEVILLE, CATALINA GRAND VILLE,
 SAFARI 301, 350P,R, X, 400, 403, 455; 1977-79
 BONNEVILLE, CATALINA 231; 1983 PARISIENNE 229;
 1985-86 305; 1975-79 LEMANS 250, 260, 305, 350P, R,
 400, 403, 455; 1977 LEMANS 231, 301;
 1975-77 GRAND PRIX 301, 350P, R, 400, 403, 455
 ; CONVERTER-REAR

PONTIAC

F100B PONTIAC

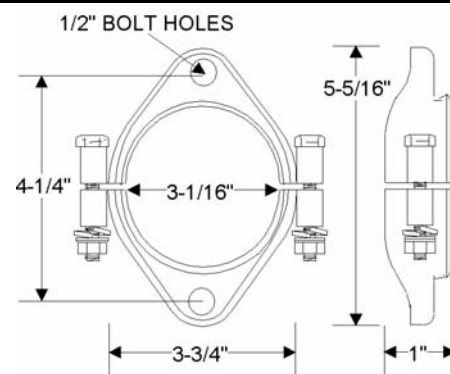
F108B

- 1
- 2
- 3
- 4
- 5 36132
- 6 SF36084



FITS 2\"/>
 1978-79 GRAND PRIX, LEMANS 231(3.8L),
 301(4.9L), 305(5.0L), 350(5.7L)
 ; CONVERTER-REAR

- 1
- 2 9163
- 3
- 4
- 5
- 6 SF36102



1986-89 FIREBIRD 305F,G(5.0L); 1987-89 350(5.0L)
 ; EXHAUST PIPE

SPLIT FLANGES

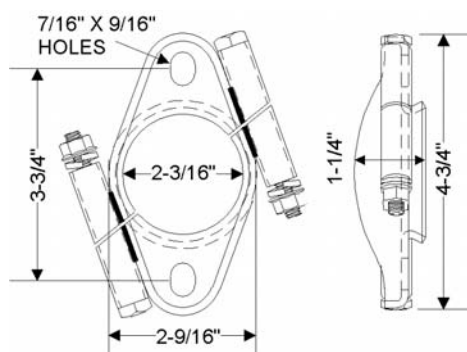
OEM & UNIVERSAL TYPE

PONTIAC

F161B VOLKSWAGEN

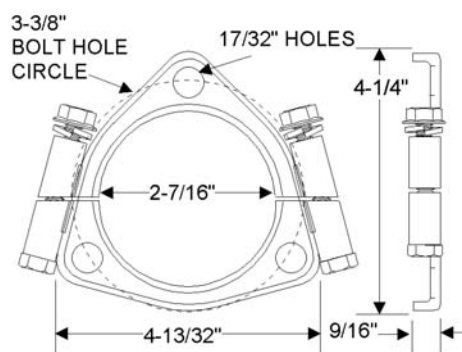
F104B

- 1
- 2
- 3
- 4
- 5
- 6 SF36140



FITS 2" PIPE
 1978-79 GRAND PRIX, LEMANS 231(3.8L),
 301(4.9L), 305(5.0L), 350(5.7L)
 ; CONVERTER-REAR

- 1
- 2
- 3
- 4
- 5 36133
- 6 SF36090



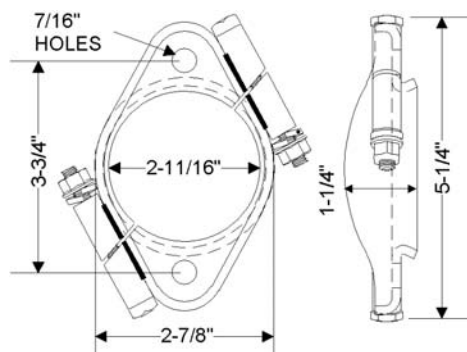
1990-91 CORRADO 1.8L; 1988-92 GOLF GT, GTI 1.8L,
 1990-92 2.0L; 1986-92 JETTA 1.6L; 1990-92 2.0L;
 1990-93 PASSAT 2.0L
 ; CONVERTER

PONTIAC

F162B VOLKSWAGEN

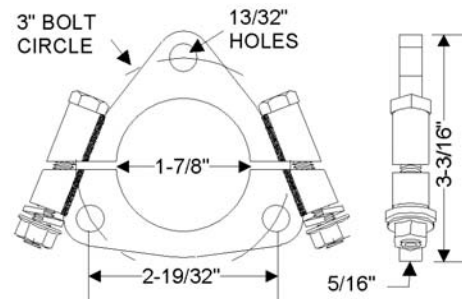
F105B

- 1
- 2
- 3
- 4
- 5
- 6 SF36142



1975-79 BONNEVILLE, CATALINA GRAND VILLE,
 SAFARI 301, 350P,R, X, 400, 403, 455; 1977-79
 BONNEVILLE, CATALINA 231; 1983 PARISIENNE 229;
 1985-86 305; 1975-79 LEMANS 250, 260, 305, 350P, R,
 400, 403, 455; 1977 LEMANS 231, 301; 1975-77 GRAND
 PRIX 301, 350P, R, 400, 403, 455
 ; CONVERTER-REAR; CONVERTER-REAR

- 1
- 2
- 3
- 4
- 5 36134
- 6 SF56165

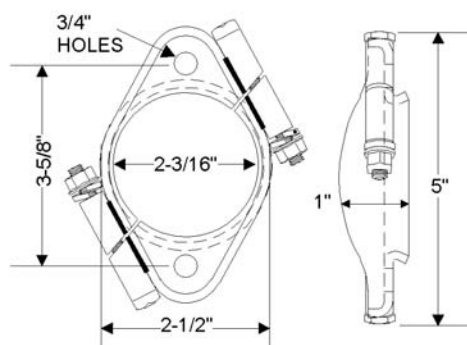


1985-89 CABRIOLET 1.8L; 1987-92 FOX 1.8L; 1980-84
 DASHER, 1.6L, 1.7L, 1.8L; 1982-85 QUANTUM 1.7L,
 1.8L 2.2L; 1976-84 RABBIT 1.5L, 1.6L, 1.7L, 1.8L;
 1975-88 SCIROCCO 1.5L, 1.6L, 1.7L, 1.8L
 ; CONVERTER

PONTIAC

F164B

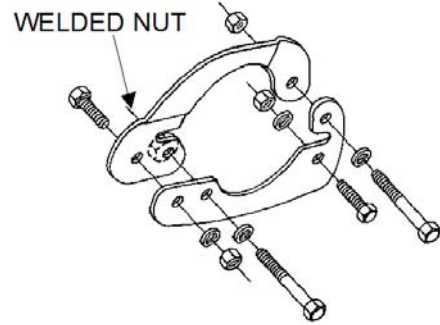
- 1
- 2
- 3
- 4
- 5
- 6 SF36144



1985-91 6000 2.5L, 2.8L, 3.1L
 1985-94 SUNBIRD 2.0L
 1988-93 GRAND PRIX 2.3L, 2.8L, 3.1L
 ; EXHAUST PIPE

F66B

- 1 578488
- 2 4675
- 3 H1510
- 4 X1244
- 5 31901
- 6 ES466

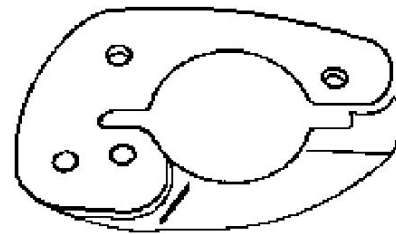


ALL HARDWARE INCLUDED IN KIT

1977-86 GM MID & FULL SIZE 2",

F80B

- 1 578498
- 2 4676
- 3 F80
- 4 X1273
- 5 31925
- 6 ES467

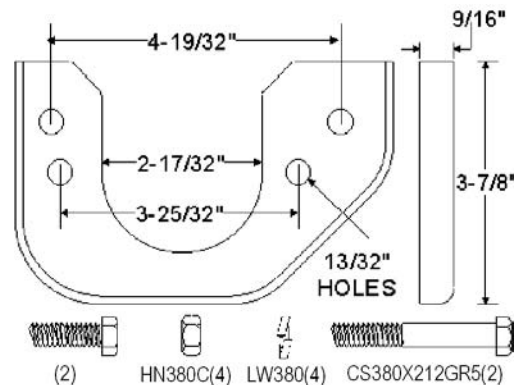


ALL HARDWARE INCLUDED IN KIT

1982-87 GM MID & FULL SIZE WITH OFFSET
TRANSMISSION BRACKET
CONVERTER

F90B

- 1
- 2 8044
- 3 H1553
- 4
- 5
- 6 SF36000



1977 and up GM converters with 2 1/2" ball. This includes most fullsize cars and some Camaros and Firebirds. NOTE: On some Camaros and Firebirds, the hanger holes are not used so you may install the unit with the open end down. (Support bracket BR436 available but not included in kit).

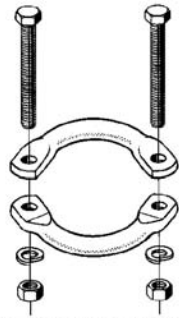
CONVERTER

SPLIT FLANGES

UNIVERSAL AND OEM TYPE

F45B

- 1 529200
- 2 9953
- 3 H1501
- 4 X1311
- 5 31884
- 6 ES462



FITS 1-3/4" - 2"
PIPE

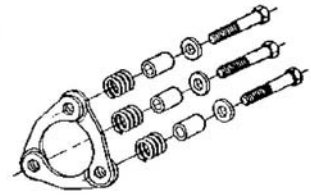
ALL HARDWARE INCLUDED IN KIT

REPLACE FLANGE WITHOUT REMOVING PIPES
****SAVE CONVERTERS****
*****SAVE INSTALLATION TIME*****
CONVERTER

SSSF17

- 1
- 2
- 3
- 4
- 5
- 6 ES503

FITS 2-1/2" PIPE
FOR 2" PIPE
USE SSSF15

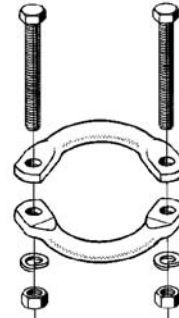


ALL HARDWARE INCLUDED IN KIT

**1975-87 GM CARS & TRUCKS
WITH 2" EXHAUST PIPE**

F35B

- 1 529250
- 2 8800
- 3 F35
- 4 X1223
- 5 31871
- 6 ES463



FITS
2-1/4" - 2-1/2"
PIPE

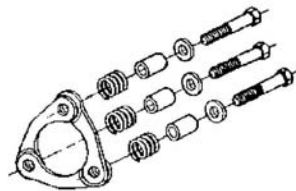
ALL HARDWARE INCLUDED IN KIT

REPLACE FLANGE WITHOUT REMOVING PIPES
****SAVE CONVERTERS****
*****SAVE INSTALLATION TIME*****
CONVERTER

SSSF15

- 1 578501
- 2
- 3 H1511
- 4 X1310
- 5 31902
- 6 ES464

FITS 2-1/2" PIPE
FOR 2" PIPE
USE SSSF17







ALL HARDWARE INCLUDED

**1975-87 GM CARS & TRUCKS
WITH 2 1/2" EXHAUST PIPE**

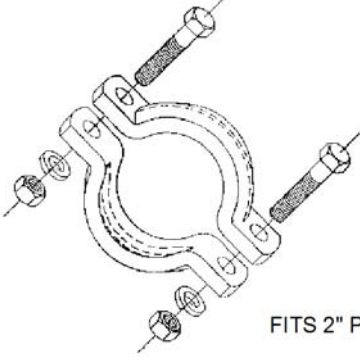

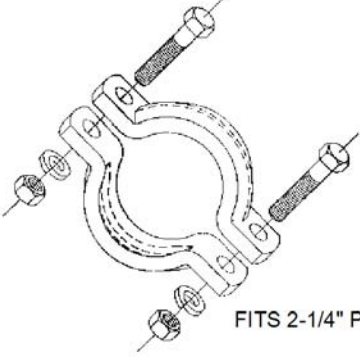
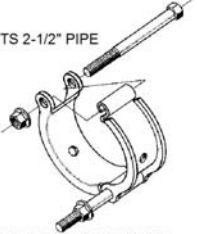
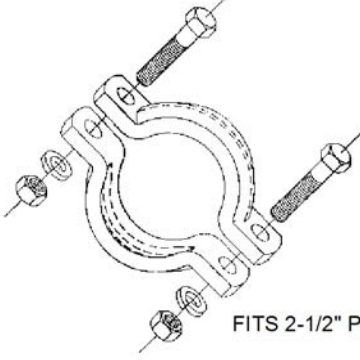
CHRYSLER	UNIVERSAL
<p>TH1090K</p> <p>1 2 3 H1285 4 5 6 ES507</p>  <p>1-1/2" MUFFLER CLAMP</p> <p>ALSO SEE FEH650-F</p> <p>1978-83 HORIZON, OMNI 105 (1.7L) BRACKET KIT</p>	<p>FW924</p> <p>1 2 3 4 5 6 ES533</p>  <p>"CLAMP NOT INCLUDED"</p> <p>IMPORT BRACKET ASSEMBLY USE WITH 5/16" CLAMPS SIZES 1-1/2" TO 2-1/2" BRACKET KIT</p>
<p>TPH984K</p> <p>1 2 3 H1283 4 5 6 ES508</p> <p>1-7/8" MUFFLER CLAMP</p>  <p>1981-90 HORIZON, OMNI 98 (1.6L), 135 (2.2L); 1984-86 CARAVELLE, LANCER, LASER, 135 (2.2L), 153 (2.5L); 1981-85 ARIES 400, 600, E-CLASS, LEBARON, NEW YORKER, RELIANT 135 (2.2L), 156 (2.6L) BRACKET KIT</p>	<p>FW925</p> <p>1 2 3 4 5 6 ES534</p>  <p>"CLAMP NOT INCLUDED"</p> <p>FORD BRACKET ASSEMBLY USE WITH 5/16" CLAMPS SIZES 1-1/2" TO 2-1/2" BRACKET KIT</p>
	<p>FW926</p> <p>1 2 3 4 5 6 ES535</p>  <p>"CLAMP NOT INCLUDED"</p> <p>FORD ESCORT BRACKET ASSEMBLY USE WITH 5/16" CLAMPS SIZES 1-1/2" TO 2-1/2" BRACKET KIT</p>

INSTALLATION KITS

MOUNTING KITS

AUDI	VOLKSWAGEN
<p>FEH458</p> <p>1 528936 2 3 TH1031 4 5 35730 6 ES452</p>  <p>1984-88 5000 2.2L, 2.3L TAIL PIPE-MOUNTING KIT</p>	<p>FMK1000</p> <p>1 535001 2 9110 3 PK11 4 Y702 5 35317 6 ES400</p>  <p>1955-74 TYPE 1 BEETLE, KARMANN GHIA TAIL PIPE-MOUNTING KIT</p>
<p>FEH459</p> <p>1 528947 2 8993 3 TH1043 4 F1936 5 35732 6 ES453</p>  <p>1989-91 100 2.3L; 1984-85 4000 1.8L, 1982-83 2.0L (DIESEL), 1980-87 2.2L TAIL PIPE-MOUNTING KIT</p>	<p>TPH1333B</p> <p>1 2 3 4 5 6 ES552</p>  <p>TH1001B</p> <p>1986-92 CABRIOLET, GOLF, JETTA, RABBIT, SCIROCCO EXHAUST PIPE</p>

BALL JOINTS & SPLIT COLLARS

<p>F91B</p> <p>1 2 3 H1560 4 X1286 5 6 ES475</p> <div style="text-align: center;">  <p>FITS 2" PIPE</p> </div> <p style="text-align: center;">GENERAL MOTORS PRODUCTS w/ 2" CONVERTER CONVERTER</p>	<p>SF225</p> <p>1 578700 2 3 4 5 31872 6 ES460</p> <div style="text-align: center;">  <p>FITS 2-1/4" PIPE</p> <p>ALL HARDWARE INCLUDED IN KIT</p> </div> <p style="text-align: center;">FITS OUTLET DIAMETER 2 1/4" OD CONVERTER</p>
<p>F98B</p> <p>1 2 3 4 X1285 5 6 ES476</p> <div style="text-align: center;">  <p>FITS 2-1/4" PIPE</p> </div> <p style="text-align: center;">GENERAL MOTORS PRODUCTS w/ 2 1/4" CONVERTER CONVERTER</p>	<p>SF250</p> <p>1 578701 2 3 4 5 31868 6 ES461</p> <div style="text-align: center;">  <p>FITS 2-1/2" PIPE</p> <p>ALL HARDWARE INCLUDED IN KIT</p> </div> <p style="text-align: center;">FITS OUTLET DIAMETER 2 1/2" OD. CONVERTER</p>
<p>F99B</p> <p>1 529084 2 3 TH1087 4 X1284 5 6 ES477</p> <div style="text-align: center;">  <p>FITS 2-1/2" PIPE</p> </div> <p style="text-align: center;">GENERAL MOTORS PRODUCTS w/ 2 1/2" CONVERTER CONVERTER</p>	

SPRING MOUNTING KITS APPLICATION INDEX

VEHICLE MAKE	PAGE
Acura	175
Buick	175
Cadillac	176
Chevrolet Passenger Car	177
Chevrolet Truck	179
Chrysler.....	185
Dodge Passenger Car	187
Dodge Truck	188
Ford Passenger Car	188
Ford Truck	189
Geo	189
GMC Truck	189
Honda	194
Mazda Passenger Car	195
Mazda Truck	195
Mercury.....	195
Nissan	196
Oldsmobile.....	196
Plymouth.....	197
Pontiac.....	199
Subaru	200
Suzuki	201
Spring Mounting Kit Illustrations	202

SPRING MOUNTING KITS

Engine	Years	Exceptions	Flange, Gasket Spring Bolt Kit	Gasket Spring Bolt Kit	Flange, Spring Bolt Kit	Spring Bolt Kit
ACURA						
CL						
4 cyl						
2.2L, 2156cc.....	1986.....					FMK491
2.3L, 2234cc.....	1998.....					FMK491
6 cyl						
3.0L, 3000cc.....	1997-98.....					FMK491
INTEGRA						
4 cyl						
1.6L, 1590cc.....	1986-89.....					FMK491
1.7L, 1678cc.....	1992-93.....					FMK491
1.8L, 1834cc.....	1990-99.....					FMK491
LEGEND						
6 cyl						
2.5L, 2494cc.....	1986-87.....					FMK491
2.7L, 2675cc.....	1987-90.....					FMK491
3.2L, 3206cc.....	1991-95.....					FMK491
NSX						
6 cyl						
3.0L, 2977cc.....	1991-98.....					FMK491
3.2L, 3200cc.....	1997-98.....					FMK491
RL						
6 cyl						
3.5L, 3475cc.....	1996-98.....					FMK491
TL						
5 cyl						
2.5L, 2451cc.....	1995-98.....					FMK491
6 cyl						
3.2L, 3206cc.....	1996-98.....					FMK491
BUICK						
CENTURY						
4 cyl						
2.5L, 151ci.....	1985-92.....					FMK441
6 cyl						
2.8L, 173ci.....	1982-89.....					FMK441
3.3L, 204ci.....	1989-93.....					FMK441
3.8L, 231ci.....	1979-81.....					FMK449
8 cyl						
5.7L, 350ci, DIESEL.....	1981.....					FMK442
ELECTRA						
6 cyl						
3.0L, 181ci.....	1985.....					FMK441
3.8L, 231ci.....	1985.....					FMK441
4.1L, 252ci.....	1980-84.....					FMK932
4.3L, 260ci.....	1985.....					FMK441
8 cyl						
5.0L, 307ci.....	1986.....					FMK442
	1985.....					FMK441
5.7L, 350ci, DIESEL.....	1980-85.....					FMK442
LESABRE						
6 cyl						
3.0L, 181ci.....	1986.....					FMK449
3.8L, 231ci.....	1978-95.....					FMK442
8 cyl						
4.4L, 267ci.....	1981.....					FMK442
5.0L, 307ci.....	1980-90.....					FMK442
5.7L, 350ci, DIESEL.....	1980-81.....					FMK442

SPRING MOUNTING KITS

Engine	Years	Exceptions	Flange, Gasket Spring Bolt Kit	Gasket Spring Bolt Kit	Flange, Spring Bolt Kit	Spring Bolt Kit
BUICK (continued)						
PARK AVENUE						
<i>6 cyl</i>						
3.8L, 231ci.....	1991-95..					FMK449
REGAL						
<i>6 cyl</i>						
2.8L, 173ci.....	1988-89..					FMK441
3.2L, 196ci.....	1978-79..					FMK441
3.8L, 231ci.....	1978-82..					FMK932
<i>8 cyl</i>						
5.0L, 307ci.....	1986-87..					FMK442
5.7L, 350ci, DIESEL.....	1981-83..					FMK442
RIVIERA						
<i>6 cyl</i>						
3.8L, 231ci.....	1995.....					FMK449
	1986-87..					FMK441
	1979-81..					FMK442
<i>8 cyl</i>						
5.0L, 307ci.....	1980-85..					FMK442
SKYHAWK						
<i>4 cyl</i>						
1.8L, 112ci.....	1982-86..					FMK449
2.0L, 122ci.....	1982-89..					FMK449
SKYLARK						
<i>4 cyl</i>						
2.3L, 138ci.....	1988-95..					FMK449
<i>6 cyl</i>						
2.8L, 173ci.....	1982-85..					FMK441
	1980-81..					FMK442
3.0L, 181ci.....	1988.....					FMK449
3.3L, 204ci.....	1989-93..					FMK449
3.8L, 231ci.....	1976-78..					FMK442
<i>8 cyl</i>						
5.0L, 305ci.....	1977-78..					FMK442
SOMERSET						
<i>4 cyl</i>						
2.5L, 151ci.....	1985-87..					FMK449
CADILLAC						
ALLANTE						
<i>8 cyl</i>						
4.5L, 273ci.....	1989-92..					FMK449
CIMARRON						
<i>4 cyl</i>						
1.8L, 112ci.....	1982.....					FMK449
2.0L, 122ci.....	1983-86..					FMK449
<i>6 cyl</i>						
2.8L, 173ci.....	1985-88..					FMK449
DEVILLE						
<i>6 cyl</i>						
4.1L, 252ci.....	1980-82..					FMK932
4.3L, 260ci, DIESEL.....	1985.....					FMK441
<i>8 cyl</i>						
4.1L, 250ci.....	1986-87..					FMK449
	1985.....					FMK441
4.5L, 273ci.....	1988-90..					FMK449
4.9L, 300ci.....	1991-93..					FMK449
5.7L, 350ci, DIESEL.....	1979-84..		FMK434.....	FMK447.....		FMK442
6.0L, 368ci.....	1980-81..					FMK442
8.2L, 500ci.....	1976.....					FMK442

SPRING MOUNTING KITS

Engine	Years	Exceptions	Flange, Gasket Spring Bolt Kit	Gasket Spring Bolt Kit	Flange, Spring Bolt Kit	Spring Bolt Kit
CADILLAC (continued)						
ELDORADO						
<i>6 cyl</i>						
4.1L, 252ci.....	1981-82..					FMK932
<i>8 cyl</i>						
5.7L, 350ci.....	1979-80..					FMK442
5.7L, 350ci, DIESEL.....	1979-84..		FMK434.....	FMK447.....		FMK442
6.0L, 368ci.....	1980-81..					FMK442
8.2L, 500ci.....	1976.....					FMK442
FLEETWOOD						
<i>6 cyl</i>						
4.1L, 252ci.....	1980-81..					FMK932
<i>8 cyl</i>						
4.1L, 250ci.....	1985-87..					FMK449
4.5L, 273ci.....	1988-90..					FMK449
5.0L, 307ci.....	1986-90..					FMK442
5.7L, 350ci, DIESEL.....	1979-84..		FMK434.....	FMK447.....		FMK442
6.0L, 368ci.....	1980-81..					FMK442
8.2L, 500ci.....	1976.....					FMK442
SEVILLE						
<i>6 cyl</i>						
4.1L, 252ci.....	1981-82..					FMK932
<i>8 cyl</i>						
4.1L, 250ci.....	1986-87..					FMK449
4.5L, 273ci.....	1988-90..					FMK449
5.7L, 350ci.....	1976-80..					FMK442
5.7L, 350ci, DIESEL.....	1978-84..		FMK434.....	FMK447.....		FMK442
CHEVROLET						
BERETTA						
<i>4 cyl</i>						
2.0L, 122ci.....	1987-89..					FMK449
2.2L, 134ci.....	1990-96..					FMK449
2.3L, 140ci.....	1990-94..					FMK449
<i>6 cyl</i>						
2.8L, 173ci.....	1987-89..					FMK449
3.1L, 189ci.....	1990-96..					FMK449
CAMARO						
<i>4 cyl</i>						
2.5L, 151ci.....	1980.....					FMK442
<i>6 cyl</i>						
2.8L, 173ci.....	1982-89..					FMK441
	1980.....					FMK442
4.1L, 250ci.....	1976-79..					FMK442
<i>8 cyl</i>						
4.4L, 267ci.....	1980-81..					FMK442
5.0L, 305ci.....	1976-81..					FMK442
5.7L, 350ci.....	1976-81..					FMK442
CAPRICE						
<i>6 cyl</i>						
3.8L, 231ci.....	1980-85..					FMK932
4.1L, 250ci.....	1977-79..					FMK442
<i>8 cyl</i>						
4.4L, 267ci.....	1980-81..					FMK442
5.0L, 305ci.....	1986-90..					FMK442
5.7L, 350ci.....	1976-80..					FMK442
5.7L, 350ci, DIESEL.....	1980-85..					FMK442
CAVALIER						
<i>4 cyl</i>						
1.8L, 112ci.....	1982.....					FMK449

SPRING MOUNTING KITS

Engine	Years	Exceptions	Flange, Gasket Spring Bolt Kit	Gasket Spring Bolt Kit	Flange, Spring Bolt Kit	Spring Bolt Kit
CHEVROLET (continued)						
CAVALIER						
2.0L, 122ci.....	1983-89..					FMK449
2.2L, 134ci.....	1990-96..					FMK449
2.3L, 138ci.....	1995.....					FMK449
2.4L, 146ci.....	1996.....					FMK449
6 cyl						
2.8L, 173ci.....	1985-89..					FMK449
3.1L, 189ci.....	1990-94..					FMK449
CELEBRITY						
4 cyl						
2.5L, 151ci.....	1982-90..					FMK441
6 cyl						
2.8L, 173ci.....	1982-89..					FMK441
3.1L, 189ci.....	1990.....					FMK441
CHEVETTE						
4 cyl						
1.8L, 110ci, DIESEL.....	1981-86..					FMK441
1.4L, 85cc.....	1976-77..					FMK442
1.6L, 98cc.....	1976-87..					FMK442
CITATION						
4 cyl						
2.5L, 151ci.....	1982-85..					FMK441
	1980-81..					FMK442
6 cyl						
2.8L, 173ci.....	1982-85..					FMK441
	1980-81..					FMK442
CORSICA						
4 cyl						
2.0L, 122ci.....	1987-89..					FMK449
2.2L, 134ci.....	1990-96..					FMK449
6 cyl						
2.8L, 173ci.....	1987-89..					FMK449
3.1L, 189ci.....	1990-96..					FMK449
EL CAMINO						
6 cyl						
3.8L, 231ci.....	1978-84..					FMK932
IMPALA						
6 cyl						
3.8L, 231ci.....	1980-85..					FMK932
4.1L, 250ci.....	1977-79..					FMK442
8 cyl						
4.4L, 267ci.....	1980-81..					FMK442
5.0L, 305ci.....	1977-81..					FMK442
5.7L, 350ci.....	1976-81..					FMK442
5.7L, 350ci, DIESEL.....	1980-81..					FMK442
7.4L, 454ci.....	1976.....					FMK442
MALIBU						
6 cyl						
3.3L, 200ci.....	1979.....					FMK441
3.8L, 231ci.....	1978-83..					FMK932
8 cyl						
4.4L, 267ci.....	1979-81..					FMK441
5.0L, 305ci.....	1979-81..					FMK441
5.7L, 350ci.....	1979-81..					FMK441
MONTE CARLO						
6 cyl						
3.3L, 200ci.....	1979.....					FMK441
3.8L, 231ci.....	1978-87..					FMK932

SPRING MOUNTING KITS

Engine	Years	Exceptions	Flange, Gasket Spring Bolt Kit	Gasket Spring Bolt Kit	Flange, Spring Bolt Kit	Spring Bolt Kit
CHEVROLET (continued)						
MONTE CARLO						
<i>8 cyl</i>						
4.4L, 267ci.....	1979-81..					FMK441
5.0L, 305ci.....	1979-81..					FMK441
5.7L, 350ci.....	1981.....					FMK441
NOVA						
<i>6 cyl</i>						
4.1L, 250ci.....	1976-79..					FMK442
<i>8 cyl</i>						
5.0L, 305ci.....	1976-79..					FMK442
5.7L, 350ci.....	1976-79..					FMK442
SPRINT						
<i>3 cyl</i>						
1.0L, 61cc.....	1985-91..	At Converter.....				FMK995
	1985-91..	At Manifold.....				FMK997
CHEVROLET TRUCK						
BLAZER						
<i>8 cyl</i>						
5.0L, 305ci.....	1983-86..	Right Side.....				FMK942
5.7L, 350ci.....	1992.....					FMK932
	1983-85..					FMK942
6.2L, 379ci, DIESEL.....	1986-91..					FMK950
	1986-87..	Left Side.....				FMK500
6.5L, 395ci, DIESEL.....	1994.....	Turbo.....		FMK951.....		FMK925
C10 PICKUP						
<i>6 cyl</i>						
4.3L, 262ci.....	1985-86..					FMK942
<i>8 cyl</i>						
5.0L, 305ci.....	1986.....			FMK951.....		FMK925
	1983-85..					FMK942
5.7L, 350ci.....	1983-86..					FMK942
6.2L, 379ci, DIESEL.....	1986.....	Right Side.....		FMK953.....		FMK950
	1986.....	Left Side.....				FMK500
C10 SUBURBAN						
<i>8 cyl</i>						
5.0L, 305ci.....	1983-86..					FMK942
5.7L, 350ci.....	1983-86..					FMK942
6.2L, 379ci, DIESEL.....	1986.....	Left Side.....				FMK500
	1986.....	Right Side.....				FMK950
C1500 PICKUP						
<i>6 cyl</i>						
4.3L, 262ci.....	1988-92..			FMK951.....		FMK925
<i>8 cyl</i>						
5.0L, 305ci.....	1988-92..			FMK951.....		FMK925
6.2L, 379ci, DIESEL.....	1992-93..	Left Side.....				FMK971
	1988-93..	Right Side.....		FMK951.....		FMK925
	1988-91..	Left Side.....				FMK500
7.4L, 454ci.....	1990-92..					FMK925
C1500 SUBURBAN						
<i>8 cyl</i>						
6.5L, 395ci, DIESEL.....	1994-96..	Turbo.....		FMK951.....		FMK925
C20 PICKUP						
<i>6 cyl</i>						
4.3L, 262ci.....	1985-86..					FMK942
4.8L, 292ci.....	1986.....					FMK932
<i>8 cyl</i>						
5.0L, 305ci.....	1986.....			FMK951.....		FMK925
	1983-85..					FMK942

SPRING MOUNTING KITS

Engine	Years	Exceptions	Flange, Gasket Spring Bolt Kit	Gasket Spring Bolt Kit	Flange, Spring Bolt Kit	Spring Bolt Kit
CHEVROLET TRUCK (continued)						
C20 PICKUP						
5.7L, 350ci.....	1983-86..					FMK942
6.2L, 379ci, DIESEL.....	1986.....	Left Side.....				FMK500
	1986.....	Right Side.....		FMK953.....		FMK950
7.4L, 454ci.....	1986.....	Left Side.....				FMK941
	1986.....	Right Side.....				FMK932
C20 SUBURBAN						
6 cyl						
4.8L, 292ci.....	1986.....			FMK940.....		FMK932
8 cyl						
5.0L, 305ci.....	1983-86..					FMK942
5.7L, 350ci.....	1983-86..					FMK942
7.4L, 454ci.....	1986.....	Left Side.....				FMK941
	1986.....	Right Side.....				FMK932
C2500 PICKUP						
6 cyl						
4.3L, 262ci.....	1988-92..			FMK951.....		FMK925
8 cyl						
5.0L, 305ci.....	1988-92..			FMK951.....		FMK925
6.2L, 379ci, DIESEL.....	1992-93..	Left Side.....				FMK971
	1988-93..	Right Side.....		FMK951.....		FMK925
	1988-91..	Left Side.....				FMK500
7.4L, 454ci.....	1991-92..					FMK925
C2500 SUBURBAN						
8 cyl						
6.2L, 379ci, DIESEL.....	1992-93..					FMK925
	1992-93..	Left Side.....				FMK500
	1992-93..	Right Side.....				FMK950
6.5L, 395ci, DIESEL.....	1992-96..			FMK951.....		FMK925
7.4L, 454ci.....	1992.....					FMK925
C30 PICKUP						
6 cyl						
4.8L, 292ci.....	1986.....					FMK932
8 cyl						
5.0L, 305ci.....	1986.....			FMK951.....		FMK925
5.7L, 350ci.....	1983-86..					FMK942
6.2L, 379ci, DIESEL.....	1986.....					FMK950
7.4L, 454ci.....	1986.....	Right Side.....				FMK932
	1986.....	Left Side.....				FMK941
C3500 PICKUP						
8 cyl						
6.2L, 379ci, DIESEL.....	1988-93..			FMK951.....		FMK925
7.4L, 454ci.....	1988-92..					FMK925
G20 VAN						
8 cyl						
6.2L, 379ci, DIESEL.....	1985-93..	Right Side.....				FMK925
	1985-90..	Left Side.....				FMK500
6.5L, 395ci, DIESEL.....	1994-96..			FMK951.....		FMK925
G30 VAN						
8 cyl						
6.2L, 379ci, DIESEL.....	1985-93..	Right Side.....				FMK925
	1985-90..	Left Side.....				FMK500
6.5L, 395ci, DIESEL.....	1994-96..			FMK951.....		FMK925
K10 PICKUP						
6 cyl						
4.3L, 262ci.....	1985-86..					FMK942
8 cyl						
5.0L, 305ci.....	1983-86..					FMK942
5.7L, 350ci.....	1983-86..					FMK942

SPRING MOUNTING KITS

Engine	Years	Exceptions	Flange, Gasket Spring Bolt Kit	Gasket Spring Bolt Kit	Flange, Spring Bolt Kit	Spring Bolt Kit
CHEVROLET TRUCK (continued)						
K10 PICKUP						
6.2L, 379ci, DIESEL.....	1986.....	Left Side.....				FMK500
	1986.....	Right Side.....		FMK953.....		FMK950
K10 SUBURBAN						
<i>8 cyl</i>						
5.7L, 350ci.....	1983-86..					FMK942
6.2L, 379ci, DIESEL.....	1986.....	Left Side.....				FMK500
	1986.....	Right Side.....				FMK950
K1500 PICKUP						
<i>8 cyl</i>						
6.2L, 379ci, DIESEL.....	1988-93..	Left Side.....				FMK971
	1988-93..	Right Side.....		FMK951.....		FMK925
	1988-91..	Left Side.....				FMK971
	1988-91..	Right Side.....		FMK951.....		FMK925
6.5L, 395ci, DIESEL.....	1994-96..			FMK951.....		FMK925
K1500 SUBURBAN						
<i>8 cyl</i>						
6.5L, 395ci, DIESEL.....	1994-96..	Turbo.....		FMK951.....		FMK925
K20 PICKUP						
<i>6 cyl</i>						
4.3L, 262ci.....	1985.....					FMK942
4.8L, 292ci.....	1986.....			FMK940.....		FMK932
<i>8 cyl</i>						
5.7L, 350ci.....	1983-86..					FMK942
6.2L, 379ci, DIESEL.....	1986.....	Left Side.....				FMK500
	1986.....	Right Side.....		FMK953.....		FMK950
K20 SUBURBAN						
<i>6 cyl</i>						
4.8L, 292ci.....	1986.....			FMK940.....		FMK932
<i>8 cyl</i>						
5.7L, 350ci.....	1985-86..					FMK942
K2500 PICKUP						
<i>8 cyl</i>						
6.2L, 379ci, DIESEL.....	1988-93..	Left Side.....				FMK971
	1988-93..	Right Side.....				FMK925
	1988-92..	Right Side.....		FMK951.....		
	1988-91..	Left Side.....				FMK971
	1988-91..	Right Side.....		FMK951.....		
6.5L, 395ci, DIESEL.....	1992-96..			FMK951.....		FMK925
K2500 SUBURBAN						
<i>8 cyl</i>						
6.5L, 395ci, DIESEL.....	1994-96..	Turbo.....		FMK951.....		FMK925
7.4L, 454ci.....	1992.....					FMK925
K30 PICKUP						
<i>6 cyl</i>						
4.8L, 292ci.....	1986.....			FMK940.....		FMK932
<i>8 cyl</i>						
5.7L, 350ci.....	1983-86..					FMK942
7.4L, 454ci.....	1986.....	Left Side.....				FMK941
	1986.....	Right Side.....				FMK932
K3500 PICKUP						
<i>8 cyl</i>						
6.2L, 379ci, DIESEL.....	1988-93..	Right Side.....				FMK925
	1988-91..	Left Side.....				FMK971
	1988-91..	Right Side.....		FMK951.....		
6.5L, 395ci, DIESEL.....	1992-96..	Turbo.....		FMK951.....		FMK925
P20 VAN						
<i>8 cyl</i>						
6.2L, 379ci, DIESEL.....	1986-89..					FMK950

SPRING MOUNTING KITS

Engine	Years	Exceptions	Flange, Gasket Spring Bolt Kit	Gasket Spring Bolt Kit	Flange, Spring Bolt Kit	Spring Bolt Kit
CHEVROLET TRUCK (continued)						
P30 VAN						
<i>8 cyl</i>						
6.2L, 379ci, DIESEL.....	1991-93..	FMK925
	1991.....	Left Side.....	FMK971
	1986-90..	FMK950
6.5L, 395ci, DIESEL.....	1994-96..	FMK951.....	FMK925
7.4L, 454ci.....	1991-92..	FMK932
R10 PICKUP						
<i>6 cyl</i>						
4.3L, 262ci.....	1987.....	Right Side.....	FMK952.....	FMK932
<i>8 cyl</i>						
5.7L, 350ci.....	1987.....	Left Side.....	FMK941
	1987.....	Right Side.....	FMK952.....	FMK932
6.2L, 379ci, DIESEL.....	1987.....	Left Side.....	FMK500
	1987.....	Right Side.....	FMK950
R10 SUBURBAN						
<i>8 cyl</i>						
5.7L, 350ci.....	1987-88..	Left Side.....	FMK941
	1987-88..	Right Side.....	FMK952.....	FMK932
6.2L, 379ci, DIESEL.....	1987-88..	FMK950
R1500 SUBURBAN						
<i>8 cyl</i>						
5.7L, 350ci.....	1987-89..	Left Side.....	FMK941
	1987-89..	Right Side.....	FMK952.....	FMK932
6.2L, 379ci, DIESEL.....	1989-91..	FMK950
	1987-91..	Right Side.....	FMK950
	1987-91..	Left Side.....	FMK500
R20 PICKUP						
<i>6 cyl</i>						
4.3L, 262ci.....	1987.....	Right Side.....	FMK952.....	FMK932
4.8L, 292ci.....	1987-88..	FMK940.....	FMK932
<i>8 cyl</i>						
5.7L, 350ci.....	1987-88..	Left Side.....	FMK941
	1987-88..	Right Side.....	FMK952.....	FMK932
6.2L, 379ci, DIESEL.....	1988.....	Left Side.....	FMK971
	1988.....	Right Side.....	FMK925
	1987.....	Left Side.....	FMK500
	1987.....	Right Side.....	FMK950
7.4L, 454ci.....	1987-88..	Left Side.....	FMK932 or FMK941
R20 SUBURBAN						
<i>8 cyl</i>						
5.7L, 350ci.....	1987-88..	Left Side.....	FMK941
	1987-88..	Right Side.....	FMK952.....	FMK932
6.2L, 379ci, DIESEL.....	1988.....	Left Side.....	FMK971
	1988.....	Right Side.....	FMK925
	1987.....	FMK950
7.4L, 454ci.....	1987-88..	FMK932
R2500 PICKUP						
<i>6 cyl</i>						
4.3L, 262ci.....	1987.....	Right Side.....	FMK952.....	FMK932
4.8L, 292ci.....	1987-88..	FMK940.....	FMK932
<i>8 cyl</i>						
5.7L, 350ci.....	1987-89..	Left Side.....	FMK941
	1987-89..	Right Side.....	FMK952.....	FMK932
6.2L, 379ci, DIESEL.....	1989.....	Left Side.....	FMK971
	1989.....	Right Side.....	FMK925
	1988-89..	Right Side.....	FMK925
	1988-89..	Left Side.....	FMK971

SPRING MOUNTING KITS

Engine	Years	Exceptions	Flange, Gasket Spring Bolt Kit	Gasket Spring Bolt Kit	Flange, Spring Bolt Kit	Spring Bolt Kit
CHEVROLET TRUCK (continued)						
R2500 PICKUP						
6.2L, 379ci, DIESEL.....	1987.....	Left Side.....				FMK500
	1987.....	Right Side.....				FMK950
7.4L, 454ci.....	1987-89.....					FMK932
	1987-89.....	Left Side.....				FMK941
R2500 SUBURBAN						
8 cyl						
5.7L, 350ci.....	1987-89.....	Left Side.....				FMK941
	1987-89.....	Right Side.....		FMK952.....		FMK932
6.2L, 379ci, DIESEL.....	1989-91.....	Left Side.....				FMK971
	1989-91.....	Right Side.....				FMK925
	1987-91.....	Left Side.....				FMK500
	1987-91.....	Right Side.....				FMK950
7.4L, 454ci.....	1987-91.....					FMK932
R30 PICKUP						
6 cyl						
4.8L, 292ci.....	1987-88.....			FMK940.....		FMK932
8 cyl						
5.7L, 350ci.....	1987-88.....	Left Side.....				FMK941
	1987-88.....	Right Side.....		FMK952.....		FMK932
6.2L, 379ci, DIESEL.....	1988.....	Left Side.....				FMK971
	1988.....	Right Side.....				FMK925
	1987.....					FMK950
7.4L, 454ci.....	1987-88.....	Left Side.....				FMK932 or FMK941
R3500 PICKUP						
6 cyl						
4.8L, 292ci.....	1987-88.....			FMK940.....		FMK932
8 cyl						
5.7L, 350ci.....	1987-89.....	Left Side.....				FMK941
	1987-89.....	Right Side.....		FMK952.....		FMK932
6.2L, 379ci, DIESEL.....	1989-91.....	Left Side.....				FMK971
	1989-91.....	Right Side.....				FMK925
	1988-91.....	Left Side.....				FMK971
	1988-91.....	Right Side.....				FMK925
	1987.....					FMK950
7.4L, 454ci.....	1987-91.....					FMK932
	1987-89.....	Left Side.....				FMK941
S10 BLAZER						
4 cyl						
1.9L, 119ci.....	1983-84.....					FMK441
2.0L, 122ci.....	1983-84.....					FMK441
2.2L, 134ci, DIESEL.....	1984.....					FMK441
2.5L, 151ci.....	1985-88.....					FMK441
6 cyl						
2.8L, 173ci.....	1983-89.....					FMK441
4.3L, 262ci.....	1988-95.....					FMK441
S10 PICKUP						
4 cyl						
2.5L, 151ci.....	1982-91.....					FMK441
TAHOE						
8 cyl						
6.5L, 395ci, DIESEL.....	1995-96.....			FMK951.....		FMK925
V10 PICKUP						
6 cyl						
4.3L, 262ci.....	1987.....	Right Side.....		FMK940.....		FMK932
8 cyl						
5.7L, 350ci.....	1987.....	Right Side.....		FMK952.....		
	1987.....					FMK932

SPRING MOUNTING KITS

Engine	Years	Exceptions	Flange, Gasket Spring Bolt Kit	Gasket Spring Bolt Kit	Flange, Spring Bolt Kit	Spring Bolt Kit
CHEVROLET TRUCK (continued)						
V10 PICKUP						
5.7L, 350ci.....	1987.....	Left Side.....				FMK941
6.2L, 379ci, DIESEL.....	1987.....	Left Side.....				FMK500
	1987.....	Right Side.....				FMK950
V10 SUBURBAN						
<i>8 cyl</i>						
5.7L, 350ci.....	1987-88..				FMK932
	1987-88..	Left Side.....				FMK941
	1987-88..	Right Side.....		FMK952.....	
6.2L, 379ci, DIESEL.....	1987-88..				FMK950
V1500 SUBURBAN						
<i>8 cyl</i>						
5.7L, 350ci.....	1987-89..				FMK932
	1987-89..	Left Side.....				FMK941
	1987-89..	Right Side.....		FMK952.....	
6.2L, 379ci, DIESEL.....	1989-91..				FMK950
	1987-91..	Left Side.....				FMK500
	1987-91..	Right Side.....				FMK950
V20 PICKUP						
<i>6 cyl</i>						
4.8L, 292ci.....	1987.....		FMK940.....		FMK932
<i>8 cyl</i>						
5.7L, 350ci.....	1987.....	Right Side.....		FMK952.....	
	1987.....				FMK932
	1987.....	Left Side.....				FMK941
6.2L, 379ci, DIESEL.....	1987.....	Left Side.....				FMK500
	1987.....	Right Side.....				FMK950
V20 SUBURBAN						
<i>8 cyl</i>						
5.7L, 350ci.....	1987-88..				FMK932
	1987-88..	Left Side.....				FMK941
	1987-88..	Right Side.....		FMK952.....	
6.2L, 379ci, DIESEL.....	1988.....	Left Side.....				FMK971
	1988.....	Right Side.....				FMK925
V2500 SUBURBAN						
<i>8 cyl</i>						
5.7L, 350ci.....	1987-89..	Right Side.....		FMK952.....	
	1987-89..				FMK932
	1987-89..	Left Side.....				FMK941
6.2L, 379ci, DIESEL.....	1989-91..	Right Side.....				FMK925
	1989-91..	Left Side.....				FMK971
	1987-91..	Right Side.....				FMK950
	1987-91..	Left Side.....				FMK500
V30 PICKUP						
<i>6 cyl</i>						
4.8L, 292ci.....	1987-88..		FMK940.....		FMK932
<i>8 cyl</i>						
5.7L, 350ci.....	1987-88..				FMK932
	1987-88..	Left Side.....				FMK941
	1987-88..	Right Side.....		FMK952.....	
6.2L, 379ci, DIESEL.....	1988.....	Left Side.....				FMK971
	1988.....	Right Side.....				FMK925
	1987.....				FMK950
7.4L, 454ci.....	1988.....				FMK925
	1987.....	Left Side.....				FMK941
	1987.....				FMK932
V3500 PICKUP						
<i>6 cyl</i>						
4.8L, 292ci.....	1987-88..		FMK940.....		FMK932

SPRING MOUNTING KITS

Engine	Years	Exceptions	Flange, Gasket Spring Bolt Kit	Gasket Spring Bolt Kit	Flange, Spring Bolt Kit	Spring Bolt Kit
CHEVROLET TRUCK (continued)						
V3500 PICKUP						
<i>8 cyl</i>						
5.7L, 350ci.....	1987-89.....					FMK932
	1987-89..	Left Side.....				FMK941
	1987-89..	Right Side.....		FMK952.....		
6.2L, 379ci, DIESEL.....	1989-91..	Left Side.....				FMK971
	1989-91..	Right Side.....				FMK925
	1988-91..	Left Side.....				FMK971
	1988-91..	Right Side.....				FMK925
	1987.....					FMK950
7.4L, 454ci.....	1988-91..					FMK925
	1987.....	Left Side.....				FMK941
	1987.....					FMK932
CHRYSLER						
CIRRUS						
<i>4 cyl</i>						
2.4L, 148ci.....	1995-96..			FMK501.....		FMK423 or FMK487
<i>6 cyl</i>						
2.5L, 152ci.....	1995-96..			FMK501.....		FMK423 or FMK487
CONCORDE						
<i>6 cyl</i>						
3.3L, 201ci.....	1993-96..			FMK501.....		FMK423 or FMK487
3.5L, 215ci.....	1993-96..			FMK501.....		FMK423 or FMK487
CONQUEST						
<i>4 cyl</i>						
2.6L, 2555cc.....	1989.....			FMK501.....		
	1987-89..		FMK435.....		FMK424 or FMK949	FMK423 or FMK487
	1987-88..		FMK948.....	FMK940.....		
DAYTONA						
<i>4 cyl</i>						
2.2L, 135ci.....	1993.....			FMK501.....		
	1985-93..					FMK423 or FMK487
	1985-89..		FMK435 or FMK948	FMK940.....	FMK424 or FMK949	
2.5L, 153ci.....	1990-93..			FMK501.....		
	1987-93..					FMK423 or FMK487
	1987-89..		FMK435 or FMK948	FMK940.....	FMK424 or FMK949	
<i>6 cyl</i>						
3.0L, 181ci.....	1991-93..			FMK501.....		FMK423 or FMK487
FIFTH AVENUE						
<i>8 cyl</i>						
5.2L, 318ci.....	1985-89..		FMK435 or FMK948	FMK940.....	FMK424 or FMK949	FMK423 or FMK487
IMPERIAL						
<i>6 cyl</i>						
3.3L, 201ci.....	1990-91..			FMK501.....		FMK423 or FMK487
3.8L, 230ci.....	1991-93..			FMK501.....		FMK423 or FMK487

SPRING MOUNTING KITS

Engine	Years	Exceptions	Flange, Gasket Spring Bolt Kit	Gasket Spring Bolt Kit	Flange, Spring Bolt Kit	Spring Bolt Kit
CHRYSLER (continued)						
INTREPID						
<i>6 cyl</i>						
3.3L, 201ci.....	1993-96..	FMK501.....	FMK423 or FMK487
3.5L, 215ci.....	1993-96..	FMK501.....	FMK423 or FMK487
LASER						
<i>4 cyl</i>						
2.2L, 135ci.....	1985-86..	FMK435 or FMK948	FMK940.....	FMK424 or FMK949	FMK423 or FMK487
2.5L, 153ci.....	1986.....	FMK435 or FMK948	FMK940.....	FMK424 or FMK949	FMK423 or FMK487
LEBARON						
<i>4 cyl</i>						
2.2L, 135ci.....	1985-90..	FMK435 or FMK948	FMK940.....	FMK424 or FMK949	FMK423 or FMK487
2.5L, 153ci.....	1986-93..	FMK435 or FMK948	FMK940.....	FMK424 or FMK949	FMK423 or FMK487
2.6L, 156ci.....	1985.....	FMK435 or FMK948	FMK940.....	FMK424 or FMK949	FMK423 or FMK487
<i>6 cyl</i>						
3.0L, 181ci.....	1991-95..	FMK501.....	FMK423 or FMK487
	1990.....	FMK435 or FMK948	FMK940.....	FMK424 or FMK949
LHS						
<i>6 cyl</i>						
3.5L, 215ci.....	1994-96..	FMK501.....	FMK423 or FMK487
NEW YORKER						
<i>4 cyl</i>						
2.2L, 135ci.....	1985-88..	FMK435 or FMK948	FMK940.....	FMK424 or FMK949	FMK423 or FMK487
2.5L, 153ci.....	1986-87..	FMK435 or FMK948	FMK940.....	FMK424 or FMK949	FMK423 or FMK487
2.6L, 156ci.....	1985.....	FMK435 or FMK948	FMK940.....	FMK424 or FMK949	FMK423 or FMK487
<i>6 cyl</i>						
3.0L, 181ci.....	1990-95..	FMK501.....
	1988-89..	FMK435 or FMK948	FMK940.....	FMK424 or FMK949	FMK423 or FMK487
3.3L, 201ci.....	1990-93..	FMK501.....	FMK423 or FMK487
3.5L, 215ci.....	1994-96..	FMK501.....	FMK423 or FMK487
3.8L, 230ci.....	1991-93..	FMK501.....	FMK423 or FMK487
SEBRING						
<i>4 cyl</i>						
2.0L, 122ci.....	1995-96..	FMK501.....	FMK423 or FMK487
2.4L, 148ci.....	1996.....	FMK501.....	FMK423 or FMK487
<i>6 cyl</i>						
2.5L, 152ci.....	1995-96..	FMK501.....	FMK423 or FMK487
TC MASERATI						
<i>4 cyl</i>						
2.2L, 2213cc.....	1989-90..	FMK501.....	FMK424 or FMK949	FMK423 or FMK487

SPRING MOUNTING KITS

Engine	Years	Exceptions	Flange, Gasket Spring Bolt Kit	Gasket Spring Bolt Kit	Flange, Spring Bolt Kit	Spring Bolt Kit
CHRYSLER (continued)						
TC MASERATI						
6 cyl						
3.0L, 2972cc.....	1990-91.....			FMK501.....		FMK423 or FMK487
TOWN & COUNTRY						
4 cyl						
2.2L, 135ci.....	1985-88.....		FMK435 or FMK948	FMK940.....	FMK424 or FMK949	FMK423 or FMK487
2.5L, 153ci.....	1986-88.....		FMK435 or FMK948	FMK940.....	FMK424 or FMK949	FMK423 or FMK487
2.6L, 156ci.....	1985.....		FMK435 or FMK948	FMK940.....	FMK424 or FMK949	FMK423 or FMK487
6 cyl						
3.0L, 181ci.....	1990.....			FMK501.....		FMK423 or FMK487
3.3L, 201ci.....	1990-96.....			FMK501.....		FMK423 or FMK487
3.8L, 230ci.....	1994-96.....			FMK501.....		FMK423 or FMK487
DODGE						
400						
4 cyl						
2.2L, 135ci.....	1982-83.....		FMK435 or FMK948	FMK940.....	FMK424 or FMK949	FMK423 or FMK487
2.5L, 155ci.....	1982.....		FMK435 or FMK948	FMK940.....	FMK424 or FMK949	FMK423 or FMK487
2.6L, 156ci.....	1982-83.....		FMK435 or FMK948	FMK940.....	FMK424 or FMK949	FMK423 or FMK487
600						
4 cyl						
2.2L, 135ci.....	1983-86.....		FMK435 or FMK948	FMK940.....	FMK424 or FMK949	FMK423 or FMK487
ARIES						
4 cyl						
2.2L, 135ci.....	1981-86.....		FMK435 or FMK948	FMK940.....	FMK424 or FMK949	FMK423 or FMK487
AVENGER						
4 cyl						
2.0L, 122ci.....	1995-98.....			FMK501.....		FMK423 or FMK487
CARAVAN						
4 cyl						
2.2L, 135ci.....	1984-86.....		FMK435 or FMK948	FMK940.....	FMK424 or FMK949	FMK423 or FMK487
CHARGER						
4 cyl						
2.2L, 135ci.....	1983-86.....		FMK435 or FMK948	FMK940.....	FMK424 or FMK949	FMK423 or FMK487
COLT						
4 cyl						
2.0L, 2000cc.....	1986.....		FMK435 or FMK948	FMK940.....	FMK424 or FMK949	FMK423 or FMK487
DAYTONA						
4 cyl						
2.2L, 135ci.....	1984-86.....		FMK435 or FMK948	FMK940.....	FMK424 or FMK949	FMK423 or FMK487
LANCER						
4 cyl						
2.2L, 135ci.....	1985-86.....		FMK435 or FMK948	FMK940.....	FMK424 or FMK949	FMK423 or FMK487

SPRING MOUNTING KITS

Engine	Years	Exceptions	Flange, Gasket Spring Bolt Kit	Gasket Spring Bolt Kit	Flange, Spring Bolt Kit	Spring Bolt Kit
DODGE (continued)						
NEON						
<i>4 cyl</i>						
2.0L, 122ci.....	1995-98.....			FMK501.....		FMK423 or FMK487
OMNI						
<i>4 cyl</i>						
1.7L, 104ci.....	1978-83.....		FMK435 or FMK948	FMK940.....	FMK424 or FMK949	FMK423 or FMK487
2.2L, 135ci.....	1981-86.....		FMK435 or FMK948	FMK940.....	FMK424 or FMK949	FMK423 or FMK487
1.6L, 97cc.....	1986.....		FMK435 or FMK948	FMK940.....	FMK424 or FMK949	FMK423 or FMK487
STRATUS						
<i>4 cyl</i>						
2.0L, 122ci.....	1995-98.....			FMK501.....		FMK423 or FMK487
DODGE TRUCK						
MINI RAM						
<i>4 cyl</i>						
2.2L, 135ci.....	1984-86.....		FMK435 or FMK948	FMK940.....	FMK424 or FMK949	FMK423 or FMK487
RAM 50						
<i>4 cyl</i>						
2.0L, 122ci.....	1986.....		FMK435 or FMK948	FMK940.....	FMK424 or FMK949	FMK423 or FMK487
RAMPAGE						
<i>4 cyl</i>						
2.2L, 135ci.....	1982-84.....		FMK435 or FMK948	FMK940.....	FMK424 or FMK949	FMK423 or FMK487
ROYAL MINI RAM						
<i>4 cyl</i>						
2.2L, 135ci.....	1984-86.....		FMK435 or FMK948	FMK940.....	FMK424 or FMK949	FMK423 or FMK487
FORD						
ESCORT						
<i>4 cyl</i>						
1.9L, 113ci.....	1985-90.....		FMK1001 or FMK946	FMK480.....	FMK499 or FMK947	FMK451 or FMK927
2.0L, 122ci, DIESEL.....	1984-87.....		FMK1001 or FMK946	FMK480.....	FMK499 or FMK947	FMK451 or FMK927
1.6L, 98cc.....	1982-85.....		FMK1001 or FMK946	FMK480.....	FMK499 or FMK947	FMK451 or FMK927
EXP						
<i>4 cyl</i>						
1.9L, 113ci.....	1986-88.....		FMK1001 or FMK946	FMK480.....	FMK499 or FMK947	FMK451 or FMK927
TAURUS						
<i>4 cyl</i>						
2.5L, 153ci.....	1986-90.....		FMK1001 or FMK946	FMK480.....	FMK499 or FMK947	FMK451 or FMK927
<i>6 cyl</i>						
3.0L, 182ci.....	1986-95.....		FMK923 or FMK969		FMK924.....	FMK451 or FMK927
3.8L, 232ci.....	1988-95.....		FMK923 or FMK969		FMK924.....	FMK451 or FMK927
TEMPO						
<i>4 cyl</i>						
2.0L, 122ci, DIESEL.....	1984-86.....		FMK1001 or FMK946	FMK480.....	FMK499 or FMK947	FMK451 or FMK927
2.3L, 140ci.....	1990-94.....		FMK498.....			

SPRING MOUNTING KITS

Engine	Years	Exceptions	Flange, Gasket Spring Bolt Kit	Gasket Spring Bolt Kit	Flange, Spring Bolt Kit	Spring Bolt Kit
FORD (continued)						
TEMPO 2.3L, 140ci.....	1984-88..		FMK1001 or FMK946	FMK480.....	FMK499 or FMK947	FMK451 or FMK927
THUNDERBIRD <i>8 cyl</i> 5.0L, 302ci.....	1983-85..					FMK451 or FMK927
FORD TRUCK						
BRONCO II <i>6 cyl</i> 2.9L, 177ci.....	1986-90..		FMK923.....			FMK451 or FMK927
EXPLORER <i>6 cyl</i> 4.0L, 245ci.....	1991-96..		FMK923.....		FMK924.....	FMK451 or FMK927
<i>8 cyl</i> 5.0L, 302ci.....	1996.....		FMK923.....		FMK924.....	FMK451 or FMK927
RANGER <i>4 cyl</i> 2.3L, 140ci.....	1986-97..		FMK923.....		FMK924.....	FMK451 or FMK927
2.3L, 140ci, DIESEL.....	1986-87..					FMK451 or FMK927
<i>6 cyl</i> 2.9L, 177ci.....	1986-92..		FMK923.....		FMK924.....	FMK451 or FMK927
3.0L, 182ci.....	1991-97..		FMK923.....		FMK924.....	FMK451 or FMK927
4.0L, 245ci.....	1990-98..		FMK923.....		FMK924.....	FMK451 or FMK927
GEO						
METRO <i>3 cyl</i> 1.0L, 993ci.....	1989-97..					FMK995
<i>4 cyl</i> 1.3L, 1295cc.....	1995-97..					FMK995
TRACKER <i>4 cyl</i> 1.6L, 97cc.....	1989-97..					FMK995
GMC TRUCK						
C15/C1500 PICKUP <i>8 cyl</i> 5.7L, 350ci.....	1986.....	Right Side.....		FMK952.....		FMK932
	1986.....	Left Side.....				FMK942
6.2L, 379ci, DIESEL.....	1986.....	Right Side.....		FMK953.....		FMK950
	1986.....	Left Side.....				FMK500
C15/C1500 SUBURBAN <i>8 cyl</i> 5.0L, 305ci.....	1986.....					FMK942
5.7L, 350ci.....	1986.....	Left Side.....				FMK942
	1986.....	Right Side.....		FMK952.....		FMK932
6.2L, 379ci, DIESEL.....	1986.....	Left Side.....				FMK500
	1986.....	Right Side.....				FMK950
C1500 PICKUP <i>6 cyl</i> 4.3L, 262ci.....	1988-92..			FMK951.....		FMK925
<i>8 cyl</i> 5.0L, 305ci.....	1988-92..			FMK951.....		FMK925

SPRING MOUNTING KITS

Engine	Years	Exceptions	Flange, Gasket Spring Bolt Kit	Gasket Spring Bolt Kit	Flange, Spring Bolt Kit	Spring Bolt Kit
GMC TRUCK (continued)						
C1500 PICKUP						
6.2L, 379ci, DIESEL.....	1992-93..	Left Side.....				FMK971
	1988-93..	Right Side.....		FMK951.....		FMK925
	1988-91..	Left Side.....				FMK500
7.4L, 454ci.....	1990-92..					FMK925
C1500 SUBURBAN						
8 cyl						
6.5L, 395ci, DIESEL.....	1994-96..	Turbo.....		FMK951.....		FMK925
C25/C2500 PICKUP						
6 cyl						
4.8L, 292ci.....	1986.....			FMK940.....		FMK932
8 cyl						
5.7L, 350ci.....	1986.....	Left Side.....				FMK942
	1986.....	Right Side.....		FMK952.....		FMK932
6.2L, 379ci, DIESEL.....	1986.....	Left Side.....				FMK500
	1986.....	Right Side.....		FMK953.....		FMK950
7.4L, 454ci.....	1986.....	Left Side.....				FMK941
	1986.....	Right Side.....				FMK932
C25/C2500 SUBURBAN						
6 cyl						
4.8L, 292ci.....	1986.....			FMK940.....		FMK932
8 cyl						
5.0L, 305ci.....	1986.....					FMK942
5.7L, 350ci.....	1986.....	Left Side.....				FMK942
	1986.....	Right Side.....		FMK952.....		FMK932
6.2L, 379ci, DIESEL.....	1986.....	Left Side.....				FMK500
	1986.....	Right Side.....				FMK950
7.4L, 454ci.....	1986.....	Left Side.....				FMK941
	1986.....	Right Side.....				FMK932
C2500 PICKUP						
6 cyl						
4.3L, 262ci.....	1988-92..			FMK951.....		FMK925
8 cyl						
5.0L, 305ci.....	1988-92..			FMK951.....		FMK925
6.2L, 379ci, DIESEL.....	1992-93..	Left Side.....				FMK971
	1988-93..	Right Side.....		FMK951.....		FMK925
	1988-91..	Left Side.....				FMK500
7.4L, 454ci.....	1991-92..					FMK925
C2500 SUBURBAN						
8 cyl						
6.2L, 379ci, DIESEL.....	1992-93..					FMK925
	1992-93..	Left Side.....				FMK500
	1992-93..	Right Side.....				FMK950
6.5L, 395ci, DIESEL.....	1992-96..			FMK951.....		FMK925
7.4L, 454ci.....	1992.....					FMK925
C35/C3500 PICKUP						
6 cyl						
4.8L, 292ci.....	1986.....			FMK940.....		FMK932
8 cyl						
5.7L, 350ci.....	1986.....	Left Side.....				FMK942
	1986.....	Right Side.....		FMK952.....		FMK932
6.2L, 379ci, DIESEL.....	1986.....					FMK950
7.4L, 454ci.....	1986.....	Left Side.....				FMK941
	1986.....	Right Side.....				FMK932
C3500 PICKUP						
8 cyl						
6.2L, 379ci, DIESEL.....	1988-93..			FMK951.....		FMK925
7.4L, 454ci.....	1988-92..					FMK925

SPRING MOUNTING KITS

Engine	Years	Exceptions	Flange, Gasket Spring Bolt Kit	Gasket Spring Bolt Kit	Flange, Spring Bolt Kit	Spring Bolt Kit
GMC TRUCK (continued)						
G25/G2500 VAN						
<i>8 cyl</i>						
6.2L, 379ci, DIESEL.....	1985-93..	Right Side.....	FMK925
	1985-90..	Left Side.....	FMK500
6.5L, 395ci, DIESEL.....	1994-96..	FMK951.....	FMK925
G35/G3500 VAN						
<i>8 cyl</i>						
6.2L, 379ci, DIESEL.....	1985-93..	Right Side.....	FMK925
	1985-90..	Left Side.....	FMK500
6.5L, 395ci, DIESEL.....	1994-96..	FMK951.....	FMK925
JIMMY						
<i>8 cyl</i>						
5.0L, 305ci.....	1983-86..	FMK942
5.7L, 350ci.....	1983-86..	FMK942
6.2L, 379ci, DIESEL.....	1988-91..	Left Side.....	FMK971
	1988-91..	Right Side.....	FMK925
	1987.....	FMK950
	1987.....	Left Side.....	FMK500
	1986.....	FMK953.....	FMK950
	1986.....	Left Side.....	FMK500
K15/K1500 PICKUP						
<i>8 cyl</i>						
5.7L, 350ci.....	1986.....	FMK942
6.2L, 379ci, DIESEL.....	1986.....	Right Side.....	FMK950
	1986.....	Left Side.....	FMK500
K15/K1500 SUBURBAN						
<i>8 cyl</i>						
6.2L, 379ci, DIESEL.....	1986.....	Left Side.....	FMK500
	1986.....	Right Side.....	FMK950
K1500 PICKUP						
<i>8 cyl</i>						
6.2L, 379ci, DIESEL.....	1988-93..	Left Side.....	FMK971
	1988-93..	Right Side.....	FMK951.....	FMK925
	1988-91..	Left Side.....	FMK971
	1988-91..	Right Side.....	FMK951.....	FMK925
6.5L, 395ci, DIESEL.....	1994-96..	FMK951.....	FMK925
K1500 SUBURBAN						
<i>8 cyl</i>						
6.5L, 395ci, DIESEL.....	1994-96..	Turbo.....	FMK951.....	FMK925
K25/K2500 PICKUP						
<i>6 cyl</i>						
4.8L, 292ci.....	1986.....	FMK940.....	FMK932
<i>8 cyl</i>						
5.7L, 350ci.....	1986.....	FMK942
6.2L, 379ci, DIESEL.....	1986.....	Left Side.....	FMK500
	1986.....	Right Side.....	FMK953.....	FMK950
K25/K2500 SUBURBAN						
<i>6 cyl</i>						
4.8L, 292ci.....	1986.....	FMK940.....	FMK932
<i>8 cyl</i>						
6.2L, 379ci, DIESEL.....	1986.....	Left Side.....	FMK500
	1986.....	Right Side.....	FMK950
K2500 PICKUP						
<i>8 cyl</i>						
6.2L, 379ci, DIESEL.....	1988-93..	Left Side.....	FMK971
	1988-93..	Right Side.....	FMK925
	1988-92..	Right Side.....	FMK951.....
	1988-91..	Left Side.....	FMK971
	1988-91..	Right Side.....	FMK951.....

SPRING MOUNTING KITS

Engine	Years	Exceptions	Flange, Gasket Spring Bolt Kit	Gasket Spring Bolt Kit	Flange, Spring Bolt Kit	Spring Bolt Kit
GMC TRUCK (continued)						
K2500 PICKUP						
6.5L, 395ci, DIESEL.....	1992-96..			FMK951.....		FMK925
K2500 SUBURBAN						
<i>8 cyl</i>						
6.5L, 395ci, DIESEL.....	1994-96..	Turbo.....		FMK951.....		FMK925
7.4L, 454ci.....	1992.....					FMK925
K35/K3500 PICKUP						
<i>6 cyl</i>						
4.8L, 292ci.....	1986.....			FMK940.....		FMK932
<i>8 cyl</i>						
7.4L, 454ci.....	1986.....	Right Side.....				FMK932
	1986.....	Left Side.....				FMK941
K3500 PICKUP						
<i>8 cyl</i>						
6.2L, 379ci, DIESEL.....	1988-93..	Right Side.....				FMK925
	1988-91..	Left Side.....				FMK971
	1988-91..	Right Side.....		FMK951.....		
6.5L, 395ci, DIESEL.....	1992-96..	Turbo.....		FMK951.....		FMK925
P25/P2500 VAN						
<i>8 cyl</i>						
6.2L, 379ci, DIESEL.....	1982-89..	Left Side.....				FMK971
	1982-89..	Right Side.....				FMK925
P35/P3500 VAN						
<i>8 cyl</i>						
6.2L, 379ci, DIESEL.....	1982-93..	Right Side.....				FMK925
	1982-91..	Left Side.....				FMK971
6.5L, 395ci, DIESEL.....	1994-96..			FMK951.....		FMK925
7.4L, 454ci.....	1991-92..					FMK932
R1500 PICKUP						
<i>6 cyl</i>						
4.3L, 262ci.....	1987.....	Right Side.....		FMK952.....		FMK932
<i>8 cyl</i>						
5.7L, 350ci.....	1987.....	Right Side.....		FMK952.....		FMK932
	1987.....	Left Side.....				FMK941
6.2L, 379ci, DIESEL.....	1987.....	Right Side.....				FMK950
	1987.....	Left Side.....				FMK500
R1500 SUBURBAN						
<i>8 cyl</i>						
5.7L, 350ci.....	1987-89..	Left Side.....				FMK941
	1987-89..	Right Side.....		FMK952.....		FMK932
6.2L, 379ci, DIESEL.....	1989-91..					FMK950
	1987-91..	Left Side.....				FMK500
	1987-91..	Right Side.....				FMK950
R2500 PICKUP						
<i>6 cyl</i>						
4.3L, 262ci.....	1987.....	Right Side.....		FMK952.....		FMK932
4.8L, 292ci.....	1987-88..			FMK940.....		FMK932
<i>8 cyl</i>						
5.7L, 350ci.....	1987-89..	Left Side.....				FMK941
	1987-89..	Right Side.....		FMK952.....		FMK932
6.2L, 379ci, DIESEL.....	1989.....	Left Side.....				FMK971
	1989.....	Right Side.....				FMK925
	1988-89..	Right Side.....				FMK925
	1988-89..	Left Side.....				FMK971
	1987.....	Left Side.....				FMK500
	1987.....	Right Side.....				FMK950
7.4L, 454ci.....	1987-89..					FMK932
	1987-89..	Left Side.....				FMK941

SPRING MOUNTING KITS

Engine	Years	Exceptions	Flange, Gasket Spring Bolt Kit	Gasket Spring Bolt Kit	Flange, Spring Bolt Kit	Spring Bolt Kit
GMC TRUCK (continued)						
R2500 SUBURBAN						
<i>8 cyl</i>						
5.7L, 350ci.....	1987-89..	Left Side.....				FMK941
	1987-89..	Right Side.....		FMK952.....		FMK932
6.2L, 379ci, DIESEL.....	1989-91..	Left Side.....				FMK971
	1989-91..	Right Side.....				FMK925
	1987-91..	Left Side.....				FMK500
	1987-91..	Right Side.....				FMK950
7.4L, 454ci.....	1987-91..					FMK932
R3500 PICKUP						
<i>6 cyl</i>						
4.8L, 292ci.....	1987-88..			FMK940.....		FMK932
<i>8 cyl</i>						
5.7L, 350ci.....	1987-89..	Left Side.....				FMK941
	1987-89..	Right Side.....		FMK952.....		FMK932
6.2L, 379ci, DIESEL.....	1989-91..	Left Side.....				FMK971
	1989-91..	Right Side.....				FMK925
	1988-91..	Left Side.....				FMK971
	1988-91..	Right Side.....				FMK925
	1987.....					FMK950
7.4L, 454ci.....	1987-91..					FMK932
	1987-89..	Left Side.....				FMK941
S15 JIMMY						
<i>4 cyl</i>						
2.5L, 151ci.....	1986-88..					FMK441
<i>6 cyl</i>						
2.8L, 173ci.....	1982-90..					FMK441
S15 PICKUP						
<i>4 cyl</i>						
2.5L, 151ci.....	1986-90..					FMK441
<i>6 cyl</i>						
2.8L, 173ci.....	1982-90..					FMK441
S15 SONOMA						
<i>4 cyl</i>						
2.5L, 151ci.....	1991-93..					FMK441
V1500 PICKUP						
<i>6 cyl</i>						
4.3L, 262ci.....	1987.....	Right Side.....		FMK940.....		FMK932
<i>8 cyl</i>						
5.7L, 350ci.....	1987.....					FMK932
	1987.....	Left Side.....				FMK941
	1987.....	Right Side.....		FMK952.....		
6.2L, 379ci, DIESEL.....	1987.....	Left Side.....				FMK500
	1987.....	Right Side.....				FMK950
V1500 SUBURBAN						
<i>8 cyl</i>						
5.7L, 350ci.....	1987-89..					FMK932
	1987-89..	Left Side.....				FMK941
	1987-89..	Right Side.....		FMK952.....		
6.2L, 379ci, DIESEL.....	1989-91..					FMK950
	1987-91..	Left Side.....				FMK500
	1987-91..	Right Side.....				FMK950
V2500 PICKUP						
<i>6 cyl</i>						
4.8L, 292ci.....	1987.....			FMK940.....		FMK932
<i>8 cyl</i>						
5.7L, 350ci.....	1987.....					FMK932
	1987.....	Left Side.....				FMK941
	1987.....	Right Side.....		FMK952.....		

SPRING MOUNTING KITS

Engine	Years	Exceptions	Flange, Gasket Spring Bolt Kit	Gasket Spring Bolt Kit	Flange, Spring Bolt Kit	Spring Bolt Kit
GMC TRUCK (continued)						
V2500 PICKUP						
6.2L, 379ci, DIESEL.....	1987.....	Left Side.....				FMK500
	1987.....	Right Side.....				FMK950
V2500 SUBURBAN						
8 cyl						
5.7L, 350ci.....	1987-89..					FMK932
	1987-89..	Left Side.....				FMK941
	1987-89..	Right Side.....		FMK952.....		
6.2L, 379ci, DIESEL.....	1989-91..	Right Side.....				FMK925
	1989-91..	Left Side.....				FMK971
	1987-91..	Right Side.....				FMK950
	1987-91..	Left Side.....				FMK500
V3500 PICKUP						
6 cyl						
4.8L, 292ci.....	1987-88..			FMK940.....		FMK932
8 cyl						
5.7L, 350ci.....	1987-89..					FMK932
	1987-89..	Left Side.....				FMK941
	1987-89..	Right Side.....		FMK952.....		
6.2L, 379ci, DIESEL.....	1989-91..	Left Side.....				FMK971
	1989-91..	Right Side.....				FMK925
	1988-91..	Left Side.....				FMK971
	1988-91..	Right Side.....				FMK925
	1987.....					FMK950
7.4L, 454ci.....	1988-91..					FMK925
	1987.....	Left Side.....				FMK941
	1987.....					FMK932
YUKON						
8 cyl						
6.5L, 395ci, DIESEL.....	1994-96..			FMK951.....		FMK925
HONDA						
ACCORD						
4 cyl						
2.0L, 1950cc.....	1986-89..					FMK491
2.2L, 2156cc.....	1990-97..					FMK491
CIVIC						
4 cyl						
1.3L, 1342cc.....	1984-87..					FMK491
1.5L, 1487cc.....	1975-95..					FMK491
1.6L, 1590cc.....	1988-97..					FMK491
CIVIC DEL SOL						
4 cyl						
1.5L, 1493cc.....	1993-95..					FMK491
1.6L, 1590cc.....	1993-97..					FMK491
CR-V						
4 cyl						
2.0L, 2000cc.....	1997.....					FMK491
CRX						
4 cyl						
1.3L, 1342cc.....	1984.....					FMK491
1.6L, 1590cc.....	1988-91..					FMK491
ODYSSEY						
4 cyl						
2.2L, 2156cc.....	1995-97..					FMK491
2.3L, 2234cc.....	1998.....					FMK491

SPRING MOUNTING KITS

Engine	Years	Exceptions	Flange, Gasket Spring Bolt Kit	Gasket Spring Bolt Kit	Flange, Spring Bolt Kit	Spring Bolt Kit
MAZDA						
323 4 cyl 1.6L, 1597cc.....	1986-89..		FMK498 or FMK946	FMK480.....		FMK451 or FMK927
626 4 cyl 2.2L, 2184cc.....	1988-92..	Exc. Turbo.....	FMK498 or FMK946	FMK480.....		FMK451 or FMK927
MX6 4 cyl 2.2L, 2184cc.....	1988-92..	Exc. Turbo.....	FMK498 or FMK946	FMK480.....		FMK451 or FMK927
MAZDA TRUCK						
B2300 4 cyl 2.3L, 2300cc.....	1994-97..					FMK451 or FMK927
B2500 4 cyl 2.5L, 2500cc.....	1994-97..					FMK451 or FMK927
B3000 6 cyl 3.0L, 2954cc.....	1995-97..		FMK923.....		FMK924.....	FMK451 or FMK927
B4000 6 cyl 4.0L, 4016cc.....	1989-98..		FMK923.....		FMK924.....	FMK451 or FMK927
NAVAJO 6 cyl 4.0L, 4016cc.....	1991-94..		FMK923.....		FMK924.....	FMK451 or FMK927
MERCURY						
COUGAR 8 cyl 5.0L, 302ci.....	1983-85..					FMK451 or FMK927
LYNX 4 cyl 1.9L, 113ci.....	1985-87..		FMK1001 or FMK946	FMK480.....	FMK499 or FMK947	FMK451 or FMK927
2.0L, 122ci, DIESEL.....	1984-87..		FMK1001 or FMK946	FMK480.....	FMK499 or FMK947	FMK451 or FMK927
1.6L, 98cc.....	1982-85..		FMK1001 or FMK946	FMK480.....	FMK499 or FMK947	FMK451 or FMK927
SABLE 4 cyl 2.5L, 153ci.....	1990..... 1986.....		FMK498..... FMK1001 or FMK946	FMK480.....	FMK499 or FMK947	FMK451 or FMK927
6 cyl 3.0L, 182ci.....	1986-95..		FMK923 or FMK969		FMK924.....	FMK451 or FMK927
3.8L, 232ci.....	1987-95..		FMK923 or FMK969		FMK924.....	FMK451 or FMK927
TOPAZ 4 cyl 2.0L, 122ci, DIESEL.....	1984-86..		FMK1001 or FMK946	FMK480.....	FMK499 or FMK947	FMK451 or FMK927
2.3L, 140ci.....	1990-94..		FMK498.....			

SPRING MOUNTING KITS

Engine	Years	Exceptions	Flange, Gasket Spring Bolt Kit	Gasket Spring Bolt Kit	Flange, Spring Bolt Kit	Spring Bolt Kit
MERCURY (continued)						
TOPAZ 2.3L, 140ci.....	1984-88..		FMK1001 or FMK946	FMK480.....	FMK499 or FMK947	FMK451 or FMK927
NISSAN						
200SX 4 cyl 1.6L, 1597cc.....	1995-98..					FMK929
NX COUPE 4 cyl 1.6L, 1597cc.....	1991-93..					FMK929
SENTRA 4 cyl 1.6L, 1597cc.....	1991-98..					FMK929
OLDSMOBILE						
98 6 cyl 3.0L, 181ci.....	1985.....					FMK449
3.8L, 231ci.....	1985-94..					FMK449
4.3L, 260ci, DIESEL.....	1985.....					FMK442
8 cyl 5.0L, 307ci.....	1980-84..		FMK434.....	FMK447.....		FMK442
5.7L, 350ci, DIESEL.....	1978-84..		FMK434.....	FMK447.....		FMK442
ACHIEVA 4 cyl 2.3L, 138ci.....	1992-95..					FMK449
6 cyl 3.3L, 204ci.....	1992-93..					FMK449
BRAVADA 6 cyl 4.3L, 262ci.....	1991-94..			FMK951.....		FMK925
CALAIS 4 cyl 2.3L, 138ci.....	1987.....					FMK449
2.5L, 151ci.....	1985-87..					FMK449
6 cyl 3.0L, 181ci.....	1986-87..					FMK441
	1985.....					FMK449
CUSTOM CRUISER 8 cyl 5.7L, 350ci, DIESEL.....	1978-79..		FMK434.....	FMK447.....		FMK442
CUTLASS 6 cyl 3.8L, 231ci.....	1986-87..					FMK449
8 cyl 5.0L, 305ci.....	1980-87..		FMK434.....	FMK447.....		FMK442
5.7L, 350ci, DIESEL.....	1980-81..		FMK434.....	FMK447.....		FMK442
CUTLASS CALAIS 4 cyl 2.3L, 138ci.....	1988-91..					FMK449
2.5L, 151ci.....	1988-91..					FMK449
6 cyl 3.0L, 181ci.....	1988.....					FMK441
3.3L, 204ci.....	1989-91..					FMK449
4.3L, 260ci, DIESEL.....	1982-84..					FMK442
8 cyl 5.0L, 302ci.....	1980-84..		FMK434.....	FMK447.....		FMK442
5.7L, 350ci, DIESEL.....	1980-84..		FMK434.....	FMK447.....		FMK442

SPRING MOUNTING KITS

Engine	Years	Exceptions	Flange, Gasket Spring Bolt Kit	Gasket Spring Bolt Kit	Flange, Spring Bolt Kit	Spring Bolt Kit
OLDSMOBILE (continued)						
CUTLASS CIERA						
<i>4 cyl</i>						
2.5L, 151ci.....	1984-92.....					FMK449
<i>6 cyl</i>						
2.8L, 173ci.....	1982-89.....					FMK449
3.0L, 181ci.....	1982-85.....					FMK449
3.3L, 204ci.....	1989-93.....					FMK449
3.8L, 231ci.....	1984-88.....					FMK449
4.3L, 260ci, DIESEL.....	1982-85.....					FMK442
CUTLASS CRUISER						
<i>8 cyl</i>						
5.0L, 305ci.....	1980-83.....		FMK434.....	FMK447.....		FMK442
5.7L, 350ci, DIESEL.....	1979-83.....		FMK434.....	FMK447.....		FMK442
CUTLASS SUPREME						
<i>4 cyl</i>						
2.3L, 138ci.....	1990-91.....					FMK449
<i>6 cyl</i>						
2.8L, 173ci.....	1988-89.....					FMK449
3.1L, 189ci.....	1989-93.....					FMK449
3.4L, 207ci.....	1991-95.....					FMK441
3.8L, 231ci.....	1986-87.....					FMK449
4.3L, 260ci, DIESEL.....	1982-85.....					FMK442
<i>8 cyl</i>						
5.0L, 307ci.....	1980-88.....		FMK434.....	FMK447.....		FMK442
5.7L, 350ci, DIESEL.....	1979-84.....		FMK434.....	FMK447.....		FMK442
DELTA 88						
<i>6 cyl</i>						
3.0L, 181ci.....	1986.....					FMK441
3.8L, 231ci.....	1986-94.....					FMK449
<i>8 cyl</i>						
5.0L, 307ci.....	1980-90.....		FMK434.....	FMK447.....		FMK442
5.7L, 350ci, DIESEL.....	1978-84.....		FMK434.....	FMK447.....		FMK442
FIRENZA						
<i>4 cyl</i>						
1.8L, 112ci.....	1982.....					FMK449
2.0L, 122ci.....	1984-86.....		FMK433.....	FMK446.....		
	1983-88.....					FMK449
<i>6 cyl</i>						
2.8L, 173ci.....	1985-87.....					FMK449
OMEGA						
<i>4 cyl</i>						
2.5L, 151ci.....	1984.....					FMK449
<i>6 cyl</i>						
2.8L, 173ci.....	1980-84.....					FMK449
SILHOUETTE						
<i>6 cyl</i>						
3.1L, 189ci.....	1990-95.....					FMK449
3.8L, 231ci.....	1992-95.....					FMK449
TORONADO						
<i>6 cyl</i>						
3.8L, 231ci.....	1986-92.....					FMK449
<i>8 cyl</i>						
5.0L, 307ci.....	1980-85.....		FMK434.....	FMK447.....		FMK442
5.7L, 350ci, DIESEL.....	1979-84.....		FMK434.....	FMK447.....		FMK442
PLYMOUTH						
ACCLAIM						
<i>4 cyl</i>						
2.5L, 153ci.....	1989-95.....		FMK435 or FMK948	FMK940.....	FMK424 or FMK949	FMK423 or FMK487

SPRING MOUNTING KITS

Engine	Years	Exceptions	Flange, Gasket Spring Bolt Kit	Gasket Spring Bolt Kit	Flange, Spring Bolt Kit	Spring Bolt Kit
PLYMOUTH						
ACCLAIM						
<i>6 cyl</i>						
3.0L, 181ci.....	1989-95.....			FMK501.....		FMK423 or FMK487
BREEZE						
<i>4 cyl</i>						
2.0L, 122ci.....	1996-97.....			FMK501.....		FMK423 or FMK487
CARAVELLE						
<i>4 cyl</i>						
2.2L, 135ci.....	1983-88.....		FMK435 or FMK948	FMK940.....	FMK424 or FMK949	FMK423 or FMK487
2.5L, 153ci.....	1986-88.....		FMK435 or FMK948	FMK940.....	FMK424 or FMK949	FMK423 or FMK487
2.6L, 156ci.....	1983-85.....		FMK435 or FMK948	FMK940.....	FMK424 or FMK949	FMK423 or FMK487
GRAND VOYAGER						
<i>4 cyl</i>						
2.5L, 153ci.....	1988-90.....		FMK435 or FMK948	FMK940.....	FMK424 or FMK949	FMK423 or FMK487
<i>6 cyl</i>						
3.0L, 181ci.....	1989-95.....			FMK501.....		FMK423 or FMK487
3.3L, 201ci.....	1990-95.....			FMK501.....		FMK423 or FMK487
HORIZON						
<i>4 cyl</i>						
1.7L, 104ci.....	1978-83.....		FMK435 or FMK948	FMK940.....	FMK424 or FMK949	FMK423 or FMK487
2.2L, 135ci.....	1981-90.....		FMK435 or FMK948	FMK940.....	FMK424 or FMK949	FMK423 or FMK487
1.6L, 97cc.....	1983-86.....	Exc. 1984.....	FMK435 or FMK948	FMK940.....	FMK424 or FMK949	FMK423 or FMK487
NEON						
<i>4 cyl</i>						
2.0L, 122ci.....	1995-00.....			FMK501.....		FMK423 or FMK487
RELIANT						
<i>4 cyl</i>						
2.2L, 135ci.....	1981-89.....		FMK435 or FMK948	FMK940.....	FMK424 or FMK949	FMK423 or FMK487
2.5L, 155ci.....	1981-89.....		FMK435 or FMK948	FMK940.....	FMK424 or FMK949	FMK423 or FMK487
2.6L, 156ci.....	1982-85.....		FMK435 or FMK948	FMK940.....	FMK424 or FMK949	FMK423 or FMK487
SUNDANCE						
<i>4 cyl</i>						
2.2L, 135ci.....	1987-94.....		FMK435 or FMK948	FMK940.....	FMK424 or FMK949	FMK423 or FMK487
2.5L, 153ci.....	1988-94.....		FMK435 or FMK948	FMK940.....	FMK424 or FMK949	FMK423 or FMK487
<i>6 cyl</i>						
3.0L, 181ci.....	1992-94.....			FMK501.....		FMK423 or FMK487
TURISMO						
<i>4 cyl</i>						
1.6L, 97cc.....	1983-85.....		FMK435 or FMK948	FMK940.....	FMK424 or FMK949	FMK423 or FMK487
VOYAGER						
<i>4 cyl</i>						
2.2L, 135ci.....	1984-87.....		FMK435 or FMK948	FMK940.....	FMK424 or FMK949	FMK423 or FMK487

SPRING MOUNTING KITS

Engine	Years	Exceptions	Flange, Gasket Spring Bolt Kit	Gasket Spring Bolt Kit	Flange, Spring Bolt Kit	Spring Bolt Kit
PLYMOUTH (continued)						
VOYAGER						
2.5L, 153ci.....	1987-95..	FMK435 or FMK948	FMK940.....	FMK424 or FMK949	FMK423 or FMK487
2.6L, 156ci.....	1984-87..	FMK435 or FMK948	FMK940.....	FMK424 or FMK949	FMK423 or FMK487
6 cyl						
3.0L, 181ci.....	1987-95..	FMK501.....	FMK423 or FMK487
3.3L, 201ci.....	1991-95..	FMK501.....	FMK423 or FMK487
PONTIAC						
6000						
4 cyl						
2.5L, 151ci.....	1987-91..	FMK449
	1982-89..	FMK441
6 cyl						
2.8L, 173ci.....	1985-89..	FMK441
	1982-84..	FMK449
3.1L, 189ci.....	1988-91..	FMK441
4.3L, 260ci, DIESEL.....	1982-85..	FMK442
ACADIAN						
4 cyl						
1.8L, 111ci, DIESEL.....	1982-86..	FMK449
BONNEVILLE						
6 cyl						
3.8L, 231ci.....	1987-95..	FMK449
	1980-81..	FMK932
8 cyl						
5.7L, 350ci, DIESEL.....	1980-84..	FMK434.....	FMK447.....	FMK442
CATALINA						
6 cyl						
3.8L, 231ci.....	1979-81..	FMK932
8 cyl						
5.7L, 350ci, DIESEL.....	1980-81..	FMK434.....	FMK447.....	FMK442
FIERO						
4 cyl						
2.5L, 151ci.....	1987-88..	FMK449
6 cyl						
2.8L, 173ci.....	1985-86..	FMK441
FIREBIRD						
6 cyl						
2.8L, 173ci.....	1985-89..	FMK441
	1982-84..	FMK449
3.1L, 189ci.....	1990-92..	FMK441
3.4L, 207ci.....	1993-95..	FMK441
FIREFLY						
3 cyl						
1.0L, 61cc.....	1985-95..	At Converter.....	FMK995
	1985-95..	At Manifold.....	FMK997
GRAND AM						
4 cyl						
2.0L, 122ci.....	1987-89..	FMK449
2.3L, 138ci.....	1988-95..	FMK449
2.5L, 151ci.....	1985-89..	FMK449
6 cyl						
3.0L, 181ci.....	1985-87..	FMK449
3.1L, 189ci.....	1994-98..	FMK441
3.3L, 204ci.....	1992-93..	FMK441

SPRING MOUNTING KITS

Engine	Years	Exceptions	Flange, Gasket Spring Bolt Kit	Gasket Spring Bolt Kit	Flange, Spring Bolt Kit	Spring Bolt Kit
PONTIAC (continued)						
GRAND LEMANS						
<i>8 cyl</i>						
5.7L, 350ci, DIESEL.....	1982-83..		FMK434.....	FMK447.....		FMK442
GRAND PRIX						
<i>4 cyl</i>						
2.3L, 138ci.....	1990-91..					FMK449
<i>6 cyl</i>						
2.8L, 173ci.....	1988-89..					FMK441
3.1L, 189ci.....	1989-98..					FMK441
3.4L, 207ci.....	1991-96..					FMK441
<i>8 cyl</i>						
5.7L, 350ci, DIESEL.....	1981-84..		FMK434.....	FMK447.....		FMK442
J2000						
<i>4 cyl</i>						
1.8L, 112ci.....	1982-84..					FMK449
2.0L, 122ci.....	1983-84..					FMK449
LAURENTIAN						
<i>8 cyl</i>						
5.7L, 350ci, DIESEL.....	1980-81..		FMK434.....	FMK447.....		FMK442
LEMANS						
<i>4 cyl</i>						
2.0L, 122ci.....	1989-90..					FMK449
OPTIMA						
<i>4 cyl</i>						
2.0L, 122ci.....	1988-90..					FMK449
PARISIENNE						
<i>8 cyl</i>						
5.7L, 350ci, DIESEL.....	1980-85..		FMK434.....	FMK447.....		FMK442
PHOENIX						
<i>6 cyl</i>						
2.8L, 173ci.....	1980-84..					FMK449
SUNBIRD						
<i>4 cyl</i>						
1.8L, 111ci.....	1985-86..					FMK449
2.0L, 122ci.....	1985-92..					FMK449
<i>6 cyl</i>						
3.1L, 189ci.....	1991-92..					FMK449
SUNFIRE						
<i>4 cyl</i>						
2.2L, 134ci.....	1995-96..					FMK449
2.3L, 138ci.....	1995.....					FMK449
TEMPEST						
<i>6 cyl</i>						
2.8L, 173ci.....	1987-89..					FMK441
3.1L, 189ci.....	1990-91..					FMK441
TRANS SPORT						
<i>6 cyl</i>						
3.1L, 189ci.....	1990-95..					FMK441
3.4L, 207ci.....	1996.....					FMK441
3.8L, 231ci.....	1992-95..					FMK441
SUBARU						
BRAT						
<i>4 cyl</i>						
1.6L, 1595cc.....	1978-80..	At Converter.....				FMK450
1.8L, 1781cc.....	1981-87..	At Converter.....				FMK450
DL						
<i>4 cyl</i>						
1.6L, 1595cc.....	1976-84..					FMK450

SPRING MOUNTING KITS

Engine	Years	Exceptions	Flange, Gasket Spring Bolt Kit	Gasket Spring Bolt Kit	Flange, Spring Bolt Kit	Spring Bolt Kit
SUBARU (continued)						
FE <i>4 cyl</i> 1.6L, 1595cc.....	1979.....	At Converter.....				FMK450
GF <i>4 cyl</i> 1.6L, 1595cc.....	1976-79..	At Converter.....				FMK450
GL <i>4 cyl</i> 1.6L, 1595cc.....	1986-87..	At Converter.....				FMK450
1.8L, 1781cc.....	1980-89..	At Converter.....				FMK450
GL-10 <i>4 cyl</i> 1.8L, 1781cc.....	1985-89..	At Converter.....				FMK450
GLF <i>4 cyl</i> 1.6L, 1595cc.....	1980.....	At Converter.....				FMK450
1.8L, 1781cc.....	1980-82..	At Converter.....				FMK450
LEGACY <i>4 cyl</i> 2.2L, 2212cc.....	1990-97..	At Converter.....				FMK450
LOYALE <i>4 cyl</i> 1.8L, 1781cc.....	1990-94..	At Converter.....				FMK450
RX <i>4 cyl</i> 1.8L, 1781cc.....	1986-89..	At Converter.....				FMK450
STANDARD <i>4 cyl</i> 1.6L, 1595cc.....	1977-87..	At Converter.....				FMK450
1.8L, 1781cc.....	1981-87..	At Converter.....				FMK450
XT <i>4 cyl</i> 1.8L, 1781cc.....	1985-91..	At Converter.....				FMK450
XT6 <i>6 cyl</i> 2.7L, 2672cc.....	1988-91..	At Converter.....				FMK450
SUZUKI						
SAMURAI <i>4 cyl</i> 1.3L, 1325cc.....	1985-95..	At Manifold.....				FMK995
SIDEKICK <i>4 cyl</i> 1.6L, 1590cc.....	1989-97..	At Converter.....				FMK995

HEAT RISERS

Engine	Year	Exceptions	Part Number
AMC			
AMBASSADOR			
<i>6 cyl</i>			
3.8L, 232ci	1967-69		HR114
<i>8 cyl</i>			
4.7L, 290ci	1967-69		HR114
5.6L, 343ci	1967-69		HR114
6.4L, 390ci	1968-69		HR114
AMERICAN			
<i>6 cyl</i>			
3.1L, 199ci	1967-69		HR114
3.8L, 232ci	1967-69		HR114
<i>8 cyl</i>			
4.7L, 290ci	1967-69		HR114
5.6L, 343ci	1967		HR114
AMERICAN HURST/SC			
<i>8 cyl</i>			
6.4L, 390ci	1969		HR114
AMX			
<i>8 cyl</i>			
4.7L, 290ci	1968-69		HR114
5.0L, 304ci	1978-79	Calif.	HR005
	1978-79	Exc. Calif.	HR006
5.6L, 343ci	1968-69		HR114
6.4L, 390ci	1969		HR114
CONCORD			
<i>8 cyl</i>			
5.0L, 304ci	1978-79	Exc. Calif.	HR006
	1978-79	Calif.	HR005
GREMLIN			
<i>8 cyl</i>			
5.0L, 304ci	1975		HR006
HORNET			
<i>8 cyl</i>			
5.0L, 304ci	1975		HR006
JAVELIN			
<i>6 cyl</i>			
3.8L, 232ci	1968-69		HR114
<i>8 cyl</i>			
4.7L, 290ci	1968-69		HR114
5.6L, 343ci	1968-69		HR114
5.9L, 360ci	1968-69		HR114
MARLIN			
<i>6 cyl</i>			
3.8L, 232ci	1967		HR114
<i>8 cyl</i>			
4.7L, 290ci	1967		HR114
5.6L, 343ci	1967		HR114
MATADOR			
<i>8 cyl</i>			
5.0L, 304ci	1975		HR006
5.9L, 360ci	1976-78	Calif.	HR005
	1976-78	Exc. Calif.	HR006
	1975	Calif.	HR005
	1975	Exc. Calif.	HR006
6.6L, 401ci	1975		HR005
PACER			
<i>8 cyl</i>			
5.0L, 304ci	1978-79	Calif.	HR005

HEAT RISERS

Engine	Year	Exceptions	Part Number
AMC (continued)			
PACER			
5.0L, 304ci	1975-79	Exc. Calif.	HR006
REBEL			
6 cyl			
3.8L, 232ci	1967-69		HR114
8 cyl			
4.7L, 290ci	1967-69		HR114
5.6L, 343ci	1967-69		HR114
6.4L, 390ci	1968 . .		HR114
ROGUE			
6 cyl			
3.1L, 199ci	1967 . .		HR114
3.8L, 232ci	1967-69		HR114
	1967 . .		HR114
8 cyl			
4.7L, 290ci	1967-69		HR114
5.6L, 343ci	1967 . .		HR114
SPIRIT			
8 cyl			
5.0L, 304ci	1979 . .	Calif.	HR005
	1979 . .	Exc. Calif.	HR006
BUICK			
CENTURY			
6 cyl			
3.2L, 196ci, C	1978-79		HR320
3.8L, 231ci, 3, Turbo	1980-81		HR320
3.8L, 231ci, 3, B	1984-86		HR320
3.8L, 231ci, 3, G, Turbo	1978-79		HR155
3.8L, 231ci, A	1978-81		HR320
8 cyl			
4.3L, 265ci, S	1980 . .		HR150
4.4L, 267ci, J	1981 . .		HR650
4.9L, 301ci, W	1979-80		HR150
5.0L, 305ci, H	1980 . .		HR650
5.0L, 305ci, U	1977 . .	wo/ EFE	HR915
5.7L, 350ci, H, L	1975-79		HR475
6.6L, 403ci, K	1977 . .		HR150
ELECTRA			
6 cyl			
3.8L, 231ci, 3, B	1985-86		HR320
4.1L, 252ci, 4	1980-84		HR320
8 cyl			
5.7L, 350ci, R, X	1978-79		HR155
6.6L, 403ci, K	1977-78		HR150
7.0L, 430ci	1968-69		HR200
7.5L, 455ci	1970 . .		HR200
ESTATE WAGON			
6 cyl			
3.8L, 231ci, 2, 3	1978-80		HR320
3.8L, 231ci, A	1978-85		HR320
3.8L, 231ci, G, Turbo	1978 . .		HR155
4.1L, 252ci, 4	1980-84		HR320
8 cyl			
4.4L, 267ci, J	1981-82		HR650
4.9L, 301ci, W, Y	1980 . .		HR150
5.0L, 307ci, Y	1982-89		HR475
5.7L, 350ci, J	1976-77		HR155
5.7L, 350ci, L	1978 . .		HR475

HEAT RISERS

Engine	Year	Exceptions	Part Number
BUICK (continued)			
ESTATE WAGON			
5.7L, 350ci, R, X	1977-79		HR155
6.6L, 403ci, K	1977-78		HR150
7.5L, 455ci	1970 . .		HR200
GRAND SPORT			
<i>8 cyl</i>			
5.7L, 350ci	1968-70		HR200
6.6L, 400ci	1968-69		HR200
7.5L, 455ci	1970 . .		HR200
LESABRE			
<i>6 cyl</i>			
3.8L, 231ci, 2,3,A,B	1978-85		HR320
3.8L, 231ci, G, Turbo	1978 . .		HR155
4.1L, 252ci, 4	1980-84		HR320
<i>8 cyl</i>			
4.4L, 267ci, J	1981-82		HR650
4.9L, 301ci, Y	1977-80		HR150
5.0L, 307ci, Y	1982-85		HR475
5.7L, 350ci	1968-70		HR200
5.7L, 350ci, G	1975 . .		HR155
5.7L, 350ci, H, K	1975 . .		HR475
5.7L, 350ci, J, R, X	1975-79		HR155
5.7L, 350ci, L	1978 . .		HR475
6.6L, 400ci	1969 . .		HR200
6.6L, 403ci, K	1977-78		HR150
7.5L, 455ci	1970 . .		HR200
PARK AVENUE			
<i>6 cyl</i>			
3.8L, 231ci, 3, B	1985-86		HR320
4.1L, 252ci, 4	1980-84		HR320
<i>8 cyl</i>			
5.0L, 307ci, Y	1982-84		HR475
5.7L, 350ci, J	1976-77		HR155
5.7L, 350ci, R, X	1977-79		HR155
6.6L, 403ci, K	1977-78		HR150
REGAL			
<i>6 cyl</i>			
3.2L, 196ci, C	1978-79		HR320
3.8L, 231ci	1978-86	Exc. 1978-79 Engine Code 3, G	HR320
3.8L, 231ci, 3, G	1978-79		HR155
4.1L, 252ci, 4	1982-84		HR320
<i>8 cyl</i>			
4.3L, 265ci, S	1980 . .		HR150
4.4L, 267ci, J	1981-82		HR650
4.9L, 301ci, W	1979-80		HR150
5.0L, 305ci, H	1980-87		HR650
5.0L, 305ci, U	1977 . .	wo/ EFE	HR915
5.0L, 307ci, Y	1986-87		HR475
5.7L, 350ci, H, L	1975-79		HR475
5.7L, 350ci, J, R	1975-77		HR155
6.6L, 403ci, K	1977 . .		HR150
RIVIERA			
<i>6 cyl</i>			
3.8L, 231ci, 3, 8, 9	1979-84		HR155
4.1L, 252ci, 4	1981-84		HR155
<i>8 cyl</i>			
5.0L, 307ci, Y	1982-85		HR475
5.7L, 350ci, J, R, X	1977-79		HR155

HEAT RISERS

Engine	Year	Exceptions	Part Number
BUICK (continued)			
RIVIERA			
6.6L, 403ci, K	1977-78		HR150
7.0L, 430ci	1968-69		HR200
7.5L, 455ci	1970 . .		HR200
SKYHAWK			
<i>6 cyl</i>			
3.8L, 231ci, A	1978 . .		HR320
SKYLARK			
<i>6 cyl</i>			
3.8L, 231ci, A	1978-79		HR320
<i>8 cyl</i>			
4.9L, 301ci, Y	1977 . .		HR150
5.0L, 305ci, U	1977 . .	wo/ EFE	HR915
5.7L, 350ci	1968-70		HR200
	1968-69		HR200
5.7L, 350ci, J, R	1975-77		HR155
SPORTWAGON			
<i>8 cyl</i>			
5.7L, 350ci	1968-70		HR200
6.6L, 400ci	1968-69		HR200
WILDCAT			
<i>8 cyl</i>			
7.0L, 430ci	1968-69		HR200
7.5L, 455ci	1970 . .		HR200
CADILLAC			
DEVILLE			
<i>6 cyl</i>			
4.1L, 252ci, 4, 8	1981-82		HR320
ELDORADO			
<i>6 cyl</i>			
4.1L, 252ci, 4, 8	1981-82		HR155
FLEETWOOD BROUGHAM			
<i>6 cyl</i>			
4.1L, 252ci, 4, 8	1980-82		HR320
<i>8 cyl</i>			
5.0L, 307ci, 9, Y	1989 . .		HR475
	1986-88		HR650
FLEETWOOD COUPE			
<i>6 cyl</i>			
4.1L, 252ci, 4	1980-81		HR320
SEVILLE			
<i>6 cyl</i>			
4.1L, 252ci, 4, 8	1981-82		HR155
CHEVROLET			
BELAIR			
<i>8 cyl</i>			
4.6L, 283ci	1965-67		BLANK. HR024B
	1965-67		HR024
5.0L, 307ci	1968 . .		HR024
5.4L, 327ci	1967-68	4 BBL	BLANK. HR024B
	1967-68	4 BBL	HR024
	1965-69	2 BBL	HR024
	1965-69	2 BBL	BLANK. HR024B
5.7L, 348ci	1958-61		HR034
	1958-61		BLANK. HR034B
6.7L, 409ci	1961-65		BLANK. HR034B
	1961-65		HR034

HEAT RISERS

Engine	Year	Exceptions	Part Number
CHEVROLET (continued)			
BISCAYNE			
<i>8 cyl</i>			
4.6L, 283ci	1965-67		BLANK. HR024B
	1965-67		HR024
5.0L, 307ci	1968 . .		HR024
5.4L, 327ci	1967-68	4 BBL.....	HR024
	1967-67	4 BBL.....	BLANK. HR024B
	1965-69	2 BBL.....	HR024
	1965-67	2 BBL.....	BLANK. HR024B
5.7L, 348ci	1958-61		HR034
	1958-61		BLANK. HR034B
6.7L, 409ci	1961-65		BLANK. HR034B
	1961-65		HR034
CAMARO			
<i>6 cyl</i>			
3.8L, 229ci, K	1980-81		HR320
3.8L, 231ci, A	1980-81		HR320
<i>8 cyl</i>			
4.6L, 283ci	1967 . .		HR023
5.0L, 305ci, 7	19882-3		HR650
5.0L, 305ci, 8	1989 . .		SPACER. HR650B
5.0L, 305ci, E, F	1989 . .		SPACER. HR650B
5.0L, 305ci, F, G	1984-85		HR650
5.0L, 305ci, G, Q, U	1976-79		HR915
5.0L, 305ci, H, S	1982-87	Exc. 1986 Engine Code H.....	HR650
5.0L, 307ci	1969-73		HR023
5.4L, 327ci	1967-69		HR023
5.7L, 350ci	1969-74		HR023
5.7L, 350ci, 8	1989 . .		SPACER. HR650B
5.7L, 350ci, H, K, T	1975 . .		HR023
5.7L, 350ci, L, X	1976-79		HR915
6.6L, 402ci	1970 . .		HR023
CAPRICE			
<i>6 cyl</i>			
3.8L, 229ci, 9, K	1980-84		HR320
3.8L, 231ci, A	1980-84		HR320
<i>8 cyl</i>			
4.6L, 283ci	1967 . .		BLANK. HR024B
	1967 . .		HR024
5.0L, 305ci, G, U	1977-79		HR915
5.0L, 305ci, H	1980-88		HR650
5.0L, 307ci	1968 . .		HR024
5.0L, 307ci, Y	1986-90		HR475
5.4L, 327ci	1967-69		BLANK. HR024B
	1967-69		HR024
5.7L, 350ci, L	1981 . .	POLICE; TAXI.....	HR150
5.7L, 350ci, L, V	1976-79		HR915
6.5L, 396ci	1967-68		BLANK. HR034B
	1967-68		HR034
6.6L, 400ci, U	1976 . .		HR915
7.0L, 427ci	1967-68		HR034
	1967-68		BLANK. HR034B
CHEVELLE			
<i>6 cyl</i>			
4.1L, 250ci	1972 . .		HR023
<i>8 cyl</i>			
4.6L, 283ci	1964-67		HR023
5.0L, 305ci, Q, U	1976-77		HR915

HEAT RISERS

Engine	Year	Exceptions	Part Number
CHEVROLET (continued)			
CHEVELLE			
5.0L, 307ci	1972		HR023
	1968-70		HR023
5.4L, 327ci	1967-68		HR023
5.7L, 350ci	1969-75		HR023
5.7L, 350ci, L, V	1976-77		HR915
6.6L, 400ci, U	1976		HR915
6.6L, 402ci	1972		HR023
CONCOURS			
8 cyl			
4.6L, 283ci	1967		BLANK. HR024B
	1967		HR024
5.4L, 327ci	1967-68		BLANK. HR024B
	1967-68		HR024
CORVETTE			
8 cyl			
4.6L, 283ci	1957-61		BLANK. HR024B
	1957-61		HR024
5.4L, 327ci	1962-68 4 BBL.		EXC. HI-PERFORMANCE. HR024
	1962-67		BLANK EXC. HI-PERFORMANCE. HR024B
	1962-65		HI-PERFORMANCE. HR034
	1962-65		BLANK HI-PERFORMANCE. HR034B
5.7L, 350ci	1969-75		HR024
5.7L, 350ci, L	1976-79		HR915
7.0L, 427ci	1967-68		HR034
	1967-68		BLANK. HR034B
7.4L, 454ci	1970-74		HR034
EL CAMINO			
6 cyl			
4.1L, 250ci	1972		HR023
8 cyl			
4.6L, 283ci	1967		HR023
5.0L, 307ci	1968-72		HR023
5.4L, 327ci	1967		HR023
5.7L, 350ci	1968-72		HR023
	1968-70		HR023
6.6L, 402ci	1970-72		HR023
IMPALA			
6 cyl			
3.8L, 229ci, 9, K	1980-84		HR320
3.8L, 231ci, A	1980-84		HR320
8 cyl			
4.6L, 283ci	1965-67		HR024
	1965-67		BLANK. HR024B
5.0L, 305ci, G, U	1977-79		HR915
5.0L, 305ci, H	1980-85		HR650
5.0L, 307ci	1968		HR024
5.4L, 327ci	1965-69 2 BBL.		HR024
	1965-67 2 BBL.		BLANK. HR024B
5.7L, 348ci	1958-61		BLANK. HR034B
	1958-61		HR034
5.7L, 350ci, L	1981	POLICE; TAXI.	HR150
	1976-79		HR915
6.5L, 396ci	1967		BLANK. HR034B
	1967		HR034
6.6L, 400ci, U	1976		HR915
6.7L, 409ci	1961-65		BLANK. HR034B
	1961-65		HR034

HEAT RISERS

Engine	Year	Exceptions	Part Number
CHEVROLET (continued)			
KINGSWOOD			
<i>8 cyl</i>			
5.4L, 327ci	1969		HR024
MALIBU			
<i>6 cyl</i>			
3.3L, 200ci, M	1978-79		HR475
3.8L, 229ci, 9, K	1980-83		HR320
3.8L, 231ci, 3, A	1978-83		HR320
<i>8 cyl</i>			
4.4L, 267ci, J	1979		HR475
5.0L, 305ci, 7, H	1980-83		HR650
5.0L, 305ci, H, L, U	1978-79		HR475
5.0L, 305ci, Q	1976		HR915
5.7L, 350ci, L, U, V	1976-77		HR915
MONTE CARLO			
<i>6 cyl</i>			
3.3L, 200ci, M	1978-79		HR475
3.8L, 229ci, 9, K	1980-84		HR320
3.8L, 231ci, 3, A	1978-84		HR320
4.3L, 262ci, Z	1985		HR475
<i>8 cyl</i>			
4.4L, 267ci, J	1979		HR475
5.0L, 305ci, 7,G,H	1982-88		HR650
5.0L, 305ci, L,Q,U,V	1976-77		HR915
5.0L, 305ci, U	1978		HR475
5.7L, 350ci, L	1978-79		HR475
6.6L, 400ci, U	1976		HR915
MONZA			
<i>6 cyl</i>			
3.2L, 196ci, C	1978-79		HR320
3.8L, 231ci, A	1978-80		HR320
<i>8 cyl</i>			
5.0L, 305ci, G, U	1977-79		HR915
NOVA			
<i>8 cyl</i>			
5.0L, 305ci, G, U	1977-79		HR915
5.7L, 350ci, L	1976-79		HR915
5.7L, 350ci, X	1976		HR915
TOWNSMAN			
<i>8 cyl</i>			
5.4L, 327ci	1969		HR024
CHEVROLET TRUCK			
ASTRO MINI VAN			
<i>6 cyl</i>			
4.3L, 262ci, N, Z	1985		HR150
BLAZER			
<i>6 cyl</i>			
4.1L, 250ci, D	1979-82	w/ EFE Valve	HR150
	1979-82	Exc. w/ EFE Valve	HR915
4.3L, 262ci, N	1983-86		HR818
	1983-86		HR818
<i>8 cyl</i>			
5.0L, 305ci, F	1983-86		HR818
	1981-82		HR150
5.0L, 305ci, H	1983-86		HR818
	1981-82		HR150
5.0L, 305ci, Q, U	1976-77		HR915
5.0L, 305ci, U	1978		HR023

HEAT RISERS

Engine	Year	Exceptions	Part Number
CHEVROLET TRUCK (continued)			
BLAZER			
5.7L, 350ci, I	1983-86		HR818
	1981		HR150
	1976-78		HR023
5.7L, 350ci, V, Y	1975-76		HR023
C10 PICKUP			
6 cyl			
4.1L, 250ci, D	1979-82	Exc. w/ EFE VALVE	HR915
	1979-82	w/ EFE VALVE	HR150
4.3L, 262ci, N	1985-86		HR818
8 cyl			
5.0L, 305ci, H	1983-86	w/ EFE VALVE	HR818
	1983-84	Exc. w/ EFE VALVE	HR915
5.0L, 305ci, U	1978		HR023
	1977		HR915
5.7L, 350ci, L	1983-86	w/ EFE VALVE	HR818
	1975-84	w/ STD Chassis Exc. w/ EFE VALVE	HR915
5.7L, 350ci, L, V	1975-78	w/ Heavy Duty (F44) Chassis	HR023
5.7L, 350ci, N	1978	Diesel	HR023
6.2L, 379ci, C, J	1985		HR818
C20 PICKUP			
6 cyl			
4.1L, 250ci, D	1979-82	Exc w/ EFE Valve	HR915
	1979-82	w/ EFE Valve	HR150
4.3L, 262ci, N	1985-86		HR818
4.8L, 292ci, T	1979-82	Exc w/ EFE Valve	HR915
	1979-82	w/ EFE Valve	HR150
8 cyl			
5.0L, 305ci, H	1983-86	w/ EFE Valve	HR818
	1983-84	Exc w/ EFE Valve	HR915
5.0L, 305ci, U	1978		HR023
	1977		HR915
5.7L, 350ci, L	1983-86	w/ EFE Valve	HR818
	1983-84	Exc. w/ EFE Valve	HR915
5.7L, 350ci, L, V, Y	1975-78		HR023
5.7L, 350ci, M	1985-86	Exc. H5D Emissions	HR818
	1985-86	w/ H5D Emissions	HR819
6.2L, 379ci, C, J	1985		HR818
7.4L, 454ci, W	1985-86		HR819
C30 PICKUP			
6 cyl			
4.8L, 292ci, T	1979-82	Exc. w/ EFE Valve	HR915
	1979-82	w/ EFE Valve	HR150
8 cyl			
5.7L, 350ci, M	1985-86	Exc. H5D Emissions	HR818
	1985-86	w/ H5D Emissions	HR819
6.2L, 379ci, C, J	1985		HR818
7.4L, 454ci, W	1985-86		HR819
EL CAMINO			
6 cyl			
3.3L, 200ci, M	1978-79		HR475
3.8L, 231ci, 3, A	1978-84		HR320
4.3L, 262ci, Z	1985		HR475
8 cyl			
4.4L, 267ci, J	1979		HR475
5.0L, 305ci, 7	1983		HR650
5.0L, 305ci, G, H	1982-88		HR650
5.0L, 305ci, H, U	1978-79		HR475

HEAT RISERS

Engine	Year	Exceptions	Part Number
CHEVROLET TRUCK (continued)			
EL CAMINO			
5.0L, 305ci, Q, U	1976-77		HR915
5.7L, 350ci, L	1978-79		HR475
5.7L, 350ci, L, V, X	1976-77		HR915
6.6L, 400ci, U	1976 . .		HR915
G10 VAN			
6 cyl			
4.3L, 262ci, N	1985-86		HR150
8 cyl			
5.0L, 305ci, F	1979-82		HR915
5.7L, 350ci	1975-84	Exc.	HR915
G20 VAN			
6 cyl			
4.3L, 262ci, N	1985-86		HR150
8 cyl			
5.0L, 305ci, F, G, H	1981-83		HR915
5.7L, 350ci	1975-84		HR915
6.2L, 379ci, C, J	1985-93		HR818
G30 VAN			
6 cyl			
4.3L, 262ci, N	1985-86		HR150
8 cyl			
5.7L, 350ci	1975-84		HR915
5.7L, 350ci, M	1985-88	w/ EFE Valve.	HR819
6.2L, 379ci, C, J	1985-93		HR818
6.6L, 400ci, R, X	1979-80		HR915
K10 PICKUP			
6 cyl			
4.1L, 250ci, D	1979-82	Exc. w/ EFE Valve.	HR915
	1979-82	w/ EFE Valve.	HR150
4.3L, 262ci, N	1985-86		HR818
8 cyl			
5.0L, 305ci, H	1983-86	w/ EFE Valve.	HR818
	1983-84	Exc. w/ EFE Valve.	HR915
5.7L, 350ci, L	1983-86	w/ EFE Valve.	HR818
	1983-84	Exc. w/ EFE Valve.	HR915
5.7L, 350ci, L, V, Y	1975-78		HR023
6.2L, 379ci, C, J	1985 . .		HR818
6.6L, 400ci, M, R, U	1975-78		HR023
K20 PICKUP			
6 cyl			
4.3L, 262ci, N	1985-86		HR818
4.8L, 292ci, T	1979-82	Exc. w/ EFE Valve.	HR915
	1979-82	w/ EFE Valve.	HR150
8 cyl			
5.7L, 350ci, L	1983-86	w/ EFE Valve.	HR818
	1983-84	Exc. w/ EFE Valve.	HR915
5.7L, 350ci, L, V, Y	1975-78		HR023
5.7L, 350ci, M	1985-86	Exc. H5D Emissions.	HR818
	1985-86	w/ H5D Emissions.	HR819
6.2L, 379ci, C, J	1985 . .		HR818
6.6L, 400ci, M, R, U	1975-78		HR023
K30 PICKUP			
6 cyl			
4.8L, 292ci, T	1979-82	w/ EFE Valve.	HR150
	1979-82	Exc. w/ EFE Valve.	HR915
8 cyl			
5.7L, 350ci, L	1983-86	w/ EFE Valve.	HR818

HEAT RISERS

Engine	Year	Exceptions	Part Number
CHEVROLET TRUCK (continued)			
K30 PICKUP			
5.7L, 350ci, L	1983-84	Exc. w/ EFE Valve.....	HR915
5.7L, 350ci, M	1985-86	Exc. H5D Emissions.....	HR818
	1985-86	w/ H5D Emissions.....	HR819
6.2L, 379ci, C,J	1985	HR818
6.6L, 400ci, R	1976-78	HR023
7.4L, 454ci, W	1985-86	HR819
P20 SERIES			
8 cyl			
5.7L, 350ci, E	1984	HR150
5.7L, 350ci, K	1987-89	Exc. Calif.....	HR819
	1987 . .	Calif.....	HR150
	1985 . .	w/ H5D Emissions.....	HR819
	1984-85	Exc. w/ H5D Emissions.....	HR150
5.7L, 350ci, L	1981-84	HR150
5.7L, 350ci, L, M	1979-80	HR915
5.7L, 350ci, M	1985-88	w/ H5D Emissions.....	HR819
	1985-88	Exc. Calif.....	HR819
	1981-87	Exc. w/ H5D Emissions.....	HR150
	1981-87	Calif.....	HR150
5.7L, 350ci, P	1982-83	HR150
P30 SERIES			
8 cyl			
5.7L, 350ci, E	1984	HR150
5.7L, 350ci, K	1987-89	Exc. Calif.....	HR819
	1987 . .	Calif.....	HR150
	1984	HR150
5.7L, 350ci, L	1981-84	HR150
5.7L, 350ci, L, M	1979-80	HR915
5.7L, 350ci, M	1985-88	Exc. Calif.....	HR819
	1985-88	w/ H5D Emissions.....	HR819
	1981-87	Calif.....	HR150
	1981-87	Exc. w/ H5D Emissions.....	HR150
5.7L, 350ci, P	1982-83	HR150
7.4L, 454ci, W	1985-89	HR819
R10 PICKUP			
8 cyl			
5.7L, 350ci, K, M	1987	HR819
R20 PICKUP			
8 cyl			
5.7L, 350ci, K, M	1987	HR819
7.4L, 454ci, N	1987	HR819
R30 PICKUP			
8 cyl			
5.7L, 350ci, K, M	1987	HR819
7.4L, 454ci, N, W	1987	HR819
SUBURBAN			
6 cyl			
4.1L, 250ci, D	1979 . .	w/ EFE Valve.....	HR150
	1979 . .	Exc. w/ EFE Valve.....	HR915
4.8L, 292ci, T	1979-82	Exc. w/ EFE Valve.....	HR915
	1979-82	w/ EFE Valve.....	HR150
8 cyl			
5.0L, 305ci, F	1983-86	HR818
	1981-82	HR150
5.0L, 305ci, H	1983-86	HR818
	1981-82	HR150
5.0L, 305ci, U	1978	HR023

HEAT RISERS

Engine	Year	Exceptions	Part Number
CHEVROLET TRUCK (continued)			
SUBURBAN			
5.0L, 305ci, U	1977		HR915
5.7L, 350ci, I	1983-86		HR818
	1981		HR150
5.7L, 350ci, L, V, Y	1975-78		HR023
5.7L, 350ci, M	1985-86	w/ H4D Emissions (Non U.S.A).....	HR818
	1985-86	w/ H5D Emissions.....	HR818
	1981		HR150
6.6L, 400ci, M, R, U	1975-78		HR023
7.4L, 454ci, W	1985-86		HR819
V10 PICKUP			
<i>8 cyl</i>			
5.7L, 350ci, K, M	1987		HR819
V20 PICKUP			
<i>8 cyl</i>			
5.7L, 350ci, K, M	1987		HR819
7.4L, 454ci, N	1987		HR819
V30 PICKUP			
<i>8 cyl</i>			
5.7L, 350ci, K, M	1987		HR819
7.4L, 454ci, N, W	1987		HR819
FORD			
COUNTRY SQUIRE			
<i>8 cyl</i>			
5.0L, 302ci	1984-85	w/ Over Drive Trans.....	HR427A
CROWN VICTORIA			
<i>8 cyl</i>			
5.0L, 302ci	1984-85	w/ Over Drive Trans.....	HR427A
FAIRMONT			
<i>8 cyl</i>			
4.2L, 255ci	1982	w/ AT.....	HR427A
	1981	Ex. Calif. Or High Altitude Carb.....	HR427A
GRANADA			
<i>6 cyl</i>			
3.8L, 232ci	1981-83		HR427A
LTD			
<i>6 cyl</i>			
3.8L, 232ci	1983-86		HR427A
<i>8 cyl</i>			
5.0L, 302ci	1984-85		HR427A
MUSTANG			
<i>6 cyl</i>			
3.8L, 232ci	1983-86		HR427A
<i>8 cyl</i>			
4.2L, 255ci	1981		HR427A
5.0L, 302ci	1982-85		HR427A
THUNDERBIRD			
<i>6 cyl</i>			
3.8L, 232ci	1982-83		HR427A
<i>8 cyl</i>			
4.2L, 255ci	1982		HR427A
5.0L, 302ci	1981-85		HR427A
FORD TRUCK			
BRONCO			
<i>8 cyl</i>			
5.0L, 302ci	1983-87		HR427B
5.8L, 351ci, W	1983-87		HR427B

HEAT RISERS

Engine	Year	Exceptions	Part Number
FORD TRUCK (continued)			
E100			
<i>8 cyl</i>			
5.0L, 302ci	1983.		HR427B
5.8L, 351ci, W	1983.		HR427B
E150			
<i>8 cyl</i>			
5.0L, 302ci	1983-87		HR427B
5.8L, 351ci, W	1983-87		HR427B
E250			
<i>8 cyl</i>			
5.0L, 302ci	1983-87		HR427B
5.8L, 351ci	1987.		HR427B
5.8L, 351ci, W	1983-87		HR427B
E350			
<i>8 cyl</i>			
5.0L, 302ci	1983-87		HR427B
5.8L, 351ci, W	1983-87		HR427B
F100			
<i>8 cyl</i>			
5.0L, 302ci	1983.		HR427B
F150			
<i>8 cyl</i>			
5.0L, 302ci	1983-87		HR427B
5.8L, 351ci, W	1983-87		HR427B
F250			
<i>8 cyl</i>			
5.0L, 302ci	1983-87		HR427B
5.8L, 351ci, W	1983-87		HR427B
GMC TRUCK			
C1500 PICKUP			
<i>6 cyl</i>			
4.1L, 250ci, D	1979-82	Exc. w/ EFE VALVE	HR915
	1979-82	w/ EFE VALVE	HR150
4.3L, 262ci, N	1985-86		HR818
<i>8 cyl</i>			
5.0L, 305ci, H	1983-86	w/ EFE VALVE	HR818
	1983-84	Exc. w/ EFE VALVE	HR915
5.0L, 305ci, U	1978.		HR023
	1977.		HR915
5.7L, 350ci, L	1983-86	w/ EFE VALVE	HR818
	1975-84	w/ STD Chassis Exc. w/ EFE VALVE	HR915
5.7L, 350ci, L, V	1975-78	w/ Heavy Duty (F44) Chassis	HR023
5.7L, 350ci, N	1978.	Diesel	HR023
6.2L, 379ci, C, J	1985.		HR818
C2500 PICKUP			
<i>6 cyl</i>			
4.1L, 250ci, D	1979-82	w/ EFE Valve	HR150
	1979-82	Exc w/ EFE Valve	HR915
4.3L, 262ci, N	1985-86		HR818
4.8L, 292ci, T	1979-82	w/ EFE Valve	HR150
	1979-82	Exc w/ EFE Valve	HR915
<i>8 cyl</i>			
5.0L, 305ci, H	1983-86	w/ EFE Valve	HR818
	1983-84	Exc w/ EFE Valve	HR915
5.0L, 305ci, U	1978.		HR023
	1977.		HR915
5.7L, 350ci, L	1983-86	w/ EFE Valve	HR818
	1983-84	Exc. w/ EFE Valve	HR915

HEAT RISERS

Engine	Year	Exceptions	Part Number
GMC TRUCK (continued)			
C2500 PICKUP			
5.7L, 350ci, L, V, Y	1975-78		HR023
5.7L, 350ci, M	1985-86	w/ H5D Emissions.....	HR819
	1985-86	Exc. H5D Emissions.....	HR818
6.2L, 379ci, C, J	1985 . .		HR818
7.4L, 454ci, W	1985-86		HR819
C3500 PICKUP			
6 cyl			
4.8L, 292ci, T	1979-82	w/ EFE Valve.....	HR150
	1979-82	Exc. w/ EFE Valve.....	HR915
8 cyl			
5.7L, 350ci, M	1985-86	w/ H5D Emissions.....	HR819
	1985-86	Exc. H5D Emissions.....	HR818
6.2L, 379ci, C, J	1985 . .		HR818
7.4L, 454ci, W	1985-86		HR819
CABALLERO			
6 cyl			
3.3L, 200ci, M	1978-79		HR475
3.8L, 231ci, 3, A	1978-84		HR320
4.3L, 262ci, Z	1985 . .		HR475
8 cyl			
4.4L, 267ci, J	1979 . .		HR475
5.0L, 305ci, 7	1983 . .		HR650
5.0L, 305ci, G, H	1982-88		HR650
5.0L, 305ci, H, U	1978-79		HR475
5.0L, 305ci, Q, U	1976-77		HR915
5.7L, 350ci, L	1978-79		HR475
5.7L, 350ci, L, V, X	1976-77		HR915
6.6L, 400ci, U	1976 . .		HR915
G1500 VAN			
6 cyl			
4.3L, 262ci, N	1985-86		HR150
8 cyl			
5.0L, 305ci, F	1979-82		HR915
5.7L, 350ci	1975-84	Exc.....	HR915
G2500 VAN			
6 cyl			
4.3L, 262ci, N	1985-86		HR150
8 cyl			
5.0L, 305ci, F, G, H	1981-83		HR915
5.7L, 350ci	1975-84		HR915
6.2L, 379ci, C, J	1985-90		HR818
G3500 VAN			
6 cyl			
4.3L, 262ci, N	1985-86		HR150
8 cyl			
5.7L, 350ci	1975-84		HR915
5.7L, 350ci, M	1985-88	w/ EFE Valve.....	HR819
6.2L, 379ci, C, J	1985-90		HR818
6.6L, 400ci, R, X	1979-80		HR915
JIMMY			
6 cyl			
4.1L, 250ci, D	1979-82	Exc. w/ EFE Valve.....	HR915
	1979-82	w/ EFE Valve.....	HR150
	1979-82	Exc. w/ EFE Valve.....	HR915
	1979-82	w/ EFE Valve.....	HR150
4.3L, 262ci, N	1983-86		HR818
	1983-86		HR818

HEAT RISERS

Engine	Year	Exceptions	Part Number
GMC TRUCK (continued)			
JIMMY			
4.3L, 262ci, N	1983-86		HR818
8 cyl			
5.0L, 305ci, F	1983-86		HR818
	1981-82		HR150
5.0L, 305ci, H	1983-86		HR818
	1981-82		HR150
5.0L, 305ci, Q, U	1976-77		HR915
	1976-77		HR915
5.0L, 305ci, U	1978		HR023
	1978		HR023
5.7L, 350ci, I	1983-86		HR818
	1981		HR150
	1976-78		HR023
	1976-78		HR023
5.7L, 350ci, V, Y	1975-76		HR023
	1975-76		HR023
K1500 PICKUP			
6 cyl			
4.1L, 250ci, D	1979-82	w/ EFE Valve	HR150
	1979-82	Exc. w/ EFE Valve	HR915
4.3L, 262ci, N	1985-86		HR818
8 cyl			
5.0L, 305ci, H	1983-86	w/ EFE Valve	HR818
	1983-84	Exc. w/ EFE Valve	HR915
5.7L, 350ci, L	1983-86	w/ EFE Valve	HR818
	1983-84	Exc. w/ EFE Valve	HR915
5.7L, 350ci, L, V, Y	1975-78		HR023
6.2L, 379ci, C, J	1985		HR818
6.6L, 400ci, M, R, U	1975-78		HR023
K2500 PICKUP			
6 cyl			
4.3L, 262ci, N	1985-86		HR818
4.8L, 292ci, T	1979-82	Exc. w/ EFE Valve	HR915
	1979-82	w/ EFE Valve	HR150
8 cyl			
5.7L, 350ci, L	1983-86	w/ EFE Valve	HR818
	1983-84	Exc. w/ EFE Valve	HR915
5.7L, 350ci, L, V, Y	1975-78		HR023
5.7L, 350ci, M	1985-86	Exc. H5D Emissions	HR818
	1985-86	w/ H5D Emissions	HR819
6.2L, 379ci, C, J	1985		HR818
6.6L, 400ci, M, R, U	1975-78		HR023
K3500 PICKUP			
6 cyl			
4.8L, 292ci, T	1979-82	w/ EFE Valve	HR150
	1979-82	Exc. w/ EFE Valve	HR915
8 cyl			
5.7L, 350ci, L	1983-86	w/ EFE Valve	HR818
	1983-84	Exc. w/ EFE Valve	HR915
5.7L, 350ci, M	1985-86	w/ H5D Emissions	HR819
	1985-86	Exc. H5D Emissions	HR818
6.2L, 379ci, C, J	1985		HR818
6.6L, 400ci, R	1976-78		HR023
7.4L, 454ci, W	1985-86		HR819
P2500 SERIES			
8 cyl			
5.7L, 350ci, E	1984		HR150

HEAT RISERS

Engine	Year	Exceptions	Part Number
GMC TRUCK (continued)			
P2500 SERIES			
5.7L, 350ci, K	1987-89	Exc. Calif.	HR819
	1987	Calif.	HR150
	1985	w/ H5D Emissions	HR819
	1984-85	Exc. w/ H5D Emissions	HR150
5.7L, 350ci, L	1981-84		HR150
5.7L, 350ci, L, M	1979-80		HR915
5.7L, 350ci, M	1985-88	w/ H5D Emissions	HR819
	1985-88	Exc. Calif.	HR819
	1981-87	Exc. w/ H5D Emissions	HR150
	1981-87	Calif.	HR150
5.7L, 350ci, P	1982-83		HR150
P3500 SERIES			
<i>8 cyl</i>			
5.7L, 350ci, E	1984		HR150
5.7L, 350ci, K	1987-89	Exc. Calif.	HR819
	1987	Calif.	HR150
	1984		HR150
5.7L, 350ci, L	1981-84		HR150
5.7L, 350ci, L, M	1979-80		HR915
5.7L, 350ci, M	1985-88	w/ H5D Emissions	HR819
	1985-88	Exc. Calif.	HR819
	1981-87	Exc. w/ H5D Emissions	HR150
	1981-87	Calif.	HR150
5.7L, 350ci, P	1982-83		HR150
7.4L, 454ci, W	1985-89		HR819
R1500 PICKUP			
<i>8 cyl</i>			
5.7L, 350ci, K, M	1987		HR819
R2500 PICKUP			
<i>8 cyl</i>			
5.7L, 350ci, K, M	1987		HR819
7.4L, 454ci, N	1987		HR819
R3500 PICKUP			
<i>8 cyl</i>			
5.7L, 350ci, K, M	1987		HR819
7.4L, 454ci, N, W	1987		HR819
SAFARI MINI VAN			
<i>6 cyl</i>			
4.3L, 262ci, N, Z	1985		HR150
SUBURBAN			
<i>6 cyl</i>			
4.1L, 250ci, D	1979	w/ EFE Valve	HR150
	1979	Exc. w/ EFE Valve	HR915
4.8L, 292ci, T	1979-82	Exc. w/ EFE Valve	HR915
	1979-82	w/ EFE Valve	HR150
<i>8 cyl</i>			
5.0L, 305ci, F	1983-86		HR818
	1981-82		HR150
5.0L, 305ci, H	1983-86		HR818
	1981-82		HR150
5.0L, 305ci, U	1978		HR023
	1977		HR915
5.7L, 350ci, I	1983-86		HR818
	1981		HR150
5.7L, 350ci, L, V, Y	1975-78		HR023
5.7L, 350ci, M	1985-86	w/ H5D Emissions	HR818
	1985-86	w/ H4D Emissions (Non U.S.A.)	HR818

HEAT RISERS

Engine	Year	Exceptions	Part Number
GMC TRUCK (continued)			
SUBURBAN			
5.7L, 350ci, M	1981		HR150
6.6L, 400ci, M, R, U	1975-78		HR023
7.4L, 454ci, W	1985-86		HR819
V1500 PICKUP			
<i>8 cyl</i>			
5.7L, 350ci, K, M	1987		HR819
V2500 PICKUP			
<i>8 cyl</i>			
5.7L, 350ci, K, M	1987		HR819
7.4L, 454ci, N	1987		HR819
V3500 PICKUP			
<i>8 cyl</i>			
5.7L, 350ci, K, M	1987		HR819
7.4L, 454ci, N, W	1987		HR819
INTERNATIONAL			
SCOUT			
<i>8 cyl</i>			
5.0L, 304ci, V304	1975-80		HR92
TERRA			
<i>8 cyl</i>			
5.0L, 304ci, V304	1975-80		HR92
5.7L, 345ci, V345	1975-80		HR92
TRAVALER			
<i>8 cyl</i>			
5.0L, 304ci, V304	1975-80		HR92
5.7L, 345ci, V345	1975-80		HR92
JEEP			
CHEROKEE			
<i>8 cyl</i>			
5.9L, 360ci	1975-80		HR005
6.6L, 401ci	1975-78		HR005
CJ SERIES			
<i>8 cyl</i>			
5.0L, 304ci	1975-80		HR005
CJ-5			
<i>4 cyl</i>			
2.2L, 134ci	1967-69		HR114
3.1L, 192ci	1967-68		HR114
<i>6 cyl</i>			
3.7L, 225ci	1967-69		HR114
CJ-6			
<i>4 cyl</i>			
2.2L, 134ci	1967-69		HR114
3.1L, 192ci	1967-68		HR114
<i>6 cyl</i>			
3.7L, 225ci	1967-69		HR114
COMMANDO			
<i>4 cyl</i>			
2.2L, 134ci	1967-69		HR114
<i>6 cyl</i>			
3.7L, 225ci	1967-69		HR114
DJ SERIES			
<i>4 cyl</i>			
2.2L, 134ci	1967-69		HR114
<i>6 cyl</i>			
3.7L, 225ci	1967-69		HR114

HEAT RISERS

Engine	Year	Exceptions	Part Number
JEEP (continued)			
J SERIES			
<i>8 cyl</i>			
5.9L, 360ci	1986-91		HR005
	1975-80		HR005
6.6L, 401ci	1975-78		HR005
JEEPSTER			
<i>4 cyl</i>			
2.2L, 134ci	1967-69		HR114
<i>6 cyl</i>			
3.7L, 225ci	1967-69		HR114
PICKUPS			
<i>6 cyl</i>			
3.8L, 232ci	1967-69		HR114
<i>8 cyl</i>			
5.4L, 327ci	1967-68		HR114
5.7L, 350ci	1968-69		HR114
WAGONEER			
<i>6 cyl</i>			
3.8L, 232ci	1967-69		HR114
<i>8 cyl</i>			
5.4L, 327ci	1967-68		HR114
5.7L, 350ci	1968-69		HR114
5.9L, 360ci	1975-91		HR005
6.6L, 401ci	1975-78		HR005
LINCOLN			
CONTINENTAL			
<i>8 cyl</i>			
5.0L, 302ci	1982-85		HR427A
MARK SERIES			
<i>8 cyl</i>			
5.0L, 302ci	1984-85		HR427A
TOWN CAR			
<i>8 cyl</i>			
5.0L, 302ci	1984-85		HR427A
MERCURY			
CAPRI			
<i>6 cyl</i>			
3.8L, 232ci	1983-86		HR427A
<i>8 cyl</i>			
4.2L, 255ci	1981...		HR427A
5.0L, 302ci	1982-85		HR427A
COLONY PARK			
<i>8 cyl</i>			
5.0L, 302ci	1984-85		HR427A
COUGAR			
<i>6 cyl</i>			
3.8L, 232ci	1982-83		HR427A
<i>8 cyl</i>			
4.2L, 255ci	1982...		HR427A
5.0L, 302ci	1981-85		HR427A
GRAND MARQUIS			
<i>8 cyl</i>			
5.0L, 302ci	1984-85		HR427A
MARQUIS			
<i>6 cyl</i>			
3.8L, 232ci	1983...		HR427A
<i>8 cyl</i>			
5.0L, 302ci	1984-85		HR427A

HEAT RISERS

Engine	Year	Exceptions	Part Number
MERCURY (continued)			
ZEPHYR			
<i>8 cyl</i>			
4.2L, 255ci	1981		HR427A
5.0L, 302ci	1982		HR427A
OLDSMOBILE			
98 REGENCY			
<i>6 cyl</i>			
4.1L, 252ci, 4	1982-83		HR320
<i>8 cyl</i>			
5.0L, 307ci, Y	1983-84		HR475
CUSTOM CRUISER			
<i>6 cyl</i>			
3.8L, 231ci, A	1982-84		HR320
4.1L, 252ci, 4	1982		HR320
<i>8 cyl</i>			
4.3L, 260ci, 8	1982		HR475
4.4L, 267ci, J	1982	Canada	HR650
5.0L, 307ci, Y	1983-88		HR475
CUTLASS			
<i>6 cyl</i>			
3.8L, 231ci, A	1982-84		HR320
4.3L, 260ci, V	1982		HR475
<i>8 cyl</i>			
4.3L, 260ci, 8	1982		HR475
4.4L, 267ci, J	1982	Canada	HR650
5.0L, 305ci, H	1983-86	Canada	HR650
	1979		HR915
	1978		HR475
5.0L, 305ci, U	1978		HR915
5.0L, 307ci, 9	1984-87		HR475
5.0L, 307ci, Y	1983-88		HR475
CUTLASS CIERA			
<i>6 cyl</i>			
3.8L, 231ci, 3	1984		HR320
4.3L, 260ci, T	1982		HR475
DELTA 88			
<i>6 cyl</i>			
3.8L, 231ci, A	1982-84		HR320
4.1L, 252ci, 4	1982		HR320
<i>8 cyl</i>			
4.3L, 260ci, 8	1982		HR475
4.4L, 267ci, J	1982	Canada	HR650
5.0L, 307ci, Y	1983-85		HR475
OMEGA			
<i>6 cyl</i>			
3.8L, 231ci, A, C	1977-79		HR320
<i>8 cyl</i>			
5.0L, 305ci, G	1979		HR915
5.0L, 305ci, U	1977-78		HR915
STARFIRE			
<i>6 cyl</i>			
3.8L, 231ci, A, C	1975-80		HR320
<i>8 cyl</i>			
5.0L, 305ci, G	1979		HR915
5.0L, 305ci, U	1977-78		HR915
TORONADO			
<i>6 cyl</i>			
4.1L, 252ci, 4	1982-83		HR155

HEAT RISERS

Engine	Year	Exceptions	Part Number
OLDSMOBILE (continued)			
TORONADO			
<i>8 cyl</i>			
5.0L, 307ci, Y	1983-85		HR475
VISTA CRUISER			
<i>8 cyl</i>			
5.0L, 305ci, H	1979 . .		HR475
5.0L, 305ci, H, U	1978 . .		HR915
PONTIAC			
BONNEVILLE			
<i>6 cyl</i>			
3.8L, 231ci, A, C	1977-85	Canada	HR320
4.3L, 262ci, Z	1986 . .	Canada	HR475
<i>8 cyl</i>			
4.3L, 265ci, S	1980 . .		HR150
4.4L, 267ci, J	1982 . .	Canada	HR650
4.9L, 301ci, W, Y	1977-80		HR150
5.0L, 305ci, H	1982-86		HR650
5.0L, 307ci, Y	1981 . .		HR475
5.7L, 350ci, P	1977 . .		HR150
6.6L, 400ci, Z	1977-78	w/ AT	HR150
CATALINA			
<i>6 cyl</i>			
3.8L, 231ci, A, C	1978-81	Canada	HR320
<i>8 cyl</i>			
4.3L, 265ci, S	1980 . .		HR150
4.9L, 301ci, W, Y	1977-80		HR150
5.0L, 307ci, Y	1981 . .		HR475
5.7L, 350ci, P	1977 . .		HR150
6.6L, 400ci, Z	1977-78	w/ AT	HR150
FIREBIRD			
<i>6 cyl</i>			
3.8L, 231ci, A, C	1977-81		HR320
4.1L, 250ci, D	1976 . .		HR150
<i>8 cyl</i>			
4.9L, 301ci, T, Turbo	1980 . .		HR150
4.9L, 301ci, W, Y	1979 . .	Exc. w/ AT	HR915
	1977-80	w/ AT	HR150
5.0L, 305ci, 8, E, F	1989 . .		SPACER. HR650B
5.0L, 305ci, G, U	1977-81		HR915
5.0L, 305ci, H	1982-85		HR650
5.7L, 350ci	1975 . .	w/ AT	HR150
5.7L, 350ci, 8	1989 . .		SPACER. HR650B
5.7L, 350ci, L	1977-79		HR915
5.7L, 350ci, P	1977 . .		HR150
6.6L, 400ci, R, S, Z	1975 . .	w/ AT	HR150
7.5L, 455ci, W	1975 . .	w/ AT	HR150
GRAND PRIX			
<i>6 cyl</i>			
3.8L, 229ci, K	1981 . .		HR475
3.8L, 231ci, 2	1979 . .		HR320
3.8L, 231ci, A	1978-85	Canada	HR320
4.3L, 262ci, Z	1986 . .	Canada	HR475
<i>8 cyl</i>			
4.3L, 265ci, S	1980 . .		HR150
4.4L, 267ci, J	1982 . .	Canada	HR650
4.9L, 301ci, W, Y	1977-80	w/ AT	HR150
5.0L, 305ci, H	1982-87		HR650
5.0L, 305ci, H, U	1978-79		HR475

HEAT RISERS

Engine	Year	Exceptions	Part Number
PONTIAC (continued)			
GRAND PRIX			
5.7L, 350ci, P	1976-77		HR150
6.6L, 400ci, R, S, Z	1975 . . .	w/ AT	HR150
7.5L, 455ci, W	1975 . . .	w/ AT	HR150
GRANDVILLE			
<i>8 cyl</i>			
6.6L, 400ci, R	1975 . . .		HR150
6.6L, 400ci, S	1975 . . .		HR150
7.5L, 455ci, W	1975 . . .		HR150
LEMANS			
<i>6 cyl</i>			
3.8L, 229ci, K	1980-81		HR475
3.8L, 231ci, 2, A	1978-81		HR320
<i>8 cyl</i>			
4.3L, 265ci, S	1980 . . .		HR150
4.9L, 301ci, W, Y	1978-80	w/ AT	HR150
5.0L, 305ci, H	1978-79		HR475
5.0L, 305ci, U	1977-78		HR915
5.7L, 350ci, E, H, J	1975 . . .		HR150
5.7L, 350ci, L	1978-79		HR475
5.7L, 350ci, M	1975 . . .		HR150
5.7L, 350ci, P	1977 . . .	w/ AT	HR150
6.6L, 400ci, R, S, Z	1975 . . .		HR150
7.5L, 455ci, W	1975 . . .		HR150
PARISIENNE			
<i>6 cyl</i>			
3.8L, 229ci, 9	1983 . . .		HR475
3.8L, 231ci, A	1984 . . .	Canada	HR320
4.3L, 262ci, Z	1985-86	Canada	HR475
<i>8 cyl</i>			
5.0L, 305ci, H	1983-86		HR650
5.0L, 307ci, Y	1986 . . .		HR475
PHOENIX			
<i>6 cyl</i>			
3.8L, 231ci, A, C	1977-79		HR320
<i>8 cyl</i>			
5.0L, 305ci, U	1977-78		HR915
5.7L, 350ci, G, L	1977-79		HR475
SAFARI			
<i>8 cyl</i>			
5.0L, 307ci, Y	1987-89		HR475
SUNBIRD			
<i>6 cyl</i>			
3.8L, 231ci, A, C	1977-80		HR320
3.8L, 231ci, C	1976-77		HR320
VENTURA			
<i>8 cyl</i>			
4.9L, 301ci, Y	1977 . . .		HR150
5.0L, 305ci, U	1977 . . .		HR915
5.7L, 350ci, L	1977 . . .		HR475

HEAT RISER APPLICATION INDEX

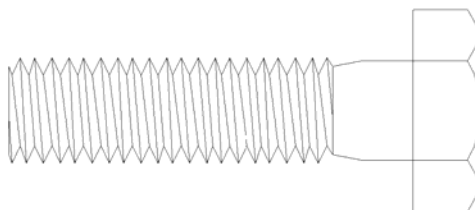
VEHICLE MAKE	PAGE
American Motors Corp.....	215
Buick.....	216
Cadillac.....	218
Chevrolet Passenger Car.....	218
Chevrolet Truck.....	221
Ford Passenger Car.....	224
Ford Truck.....	224
GMC Truck.....	225
International Truck.....	228
Jeep.....	228
Lincoln.....	229
Mercury.....	229
Oldsmobile.....	230
Pontiac.....	231
Heat Riser Illustrations.....	233

HEXAGON BOLTS STANDARD THREAD LENGTH

HEXAGON CAP BOLTS		GRADE 2
SIZE	PART #	QUANTITY
	COARSE (USS-UNC)	
5/16 x 1-1/4	CS516X114	100
5/16 x 1-3/4	CS516X134	100
5/16 x 2-1/4	CS516X214	100
5/16 x 2-1/2	CS516X212	100
3/8 x 1-1/4	CS380X114	100
3/8 x 1-3/4	CS380X134	100
3/8 x 3-1/2	CS380X312	100
3/8 x 4-1/2	CS380X412	100
7/16 x 2	CS716X200	100
7/16 x 2-1/2	CS716X212	100
7/16 x 3	CS716X300	100
7/16 x 4	CS716X400	100
1/2 x 3-1/2	CS120X312	100

HEXAGON CAP BOLTS		GRADE 5	
SIZE	PART NO.		QUANTITY
	COARSE (USS-UNC)	FINE (SAE-UNF)	
5/16 x 2	CS516X200GR5		100
5/16 x 2-1/2	CS516X212GR5		100
3/8 x 1-1/4	CS380X114GR5		100
3/8 x 1-1/2	CS380X112GR5		100
3/8 x 2	CS380X200GR5	CS380X200FGR5	100
3/8 x 2-1/2	CS380X212GR5		100
3/8 x 3	CS380X300GR5		100
3/8 x 3-1/2	CS380X312GR5		100

METRIC HEXAGON CAP BOLTS		GRADE 2	
SIZE	THREAD PITCH	PART NO.	QUANTITY
8mm x 75mm	1.25P	CS8X76	50
10mm x 55mm	1.25P	CS10X56	50
10mm x 75mm	1.25P	CS10X76	50

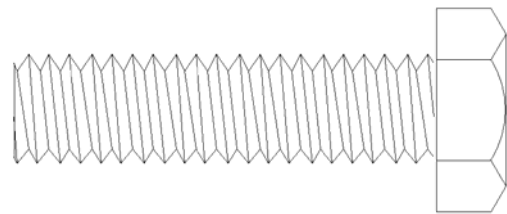


HARDWARE

HEXAGON BOLTS FULL THREAD LENGTH

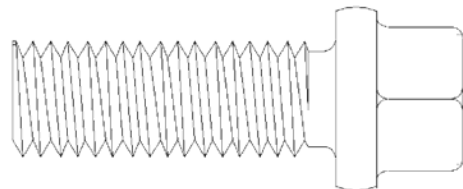
HEXAGON CAP BOLTS GRADE 2		
SIZE	PART NO.	QUANTITY
	COARSE (USS-UNC)	
1/4 x 1	CS140X100	100
5/16 x 3/4	CS516X034	100
5/16 x 1	CS516X100	100
5/16 x 1-1/2	CS516X112	100
5/16 x 2	CS516X200	100
5/16 x 3	CS516X300	100
3/8 x 1	CS380X100	100
3/8 x 1-1/2	CS380X112	100
3/8 x 2	CS380X200	100
3/8 x 2-1/4	CS380X214	100
3/8 x 2-1/2	CS380X212	50
3/8 x 3	CS380X300	100
3/8 x 5-1/2	CS380X512	100
7/16 x 1	CS716X100	100
7/16 x 1-1/2	CS716X112	100

METRIC HEXAGON CAP BOLTS			GRADE 2
SIZE	THREAD PITCH	PART NO.	QUANTITY
6mm x 15mm	1.00P	CS6X20	50
6mm x 18mm	1.00P	CS6X12	100
6mm x 30mm	1.00P	CS6X30	100
6mm x 54mm	1.00P	CS6X54	50
8mm x 20mm	1.25P	CS8X20	100
8mm x 25mm	1.25P	CS8X25	100
8mm x 30mm	1.25P	CS8X30	50
8mm x 40mm	1.25P	CS8X40	100
8mm x 55mm	1.25P	CS8X55	50
10mm x 25mm	1.00P	CS10X25	100
10mm x 25mm	1.25P	CS10X30F	100
10mm x 30mm	1.25P	CS10X30	100
10mm x 40mm	1.25P	CS10X40F	100
10mm x 40mm	1.50P	CS10X40	100
12mm x 17mm	1.25P	CS10X50F	50



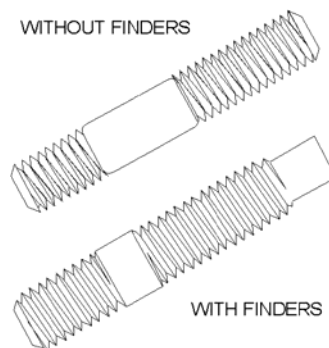
HEADER BOLTS

HEADER BOLTS		
SIZE	PART NO.	QUANTITY
	COARSE (USS-UNC)	
3/8" x 1"	HB380X100	50, 100

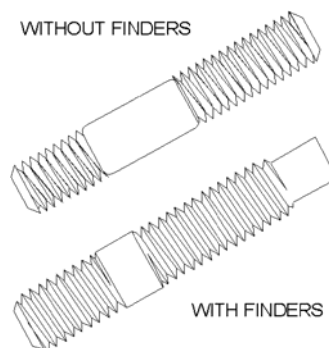


STUDS AND SCREWS

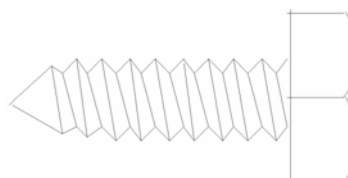
MANIFOLD STUDS				
SIZE	PART NO.	DESCRIPTION	APPLICATION	QUANTITY
	COARSE (USS-UNC)			
3/8 x 2"	MS38200		GM	50
3/8 x 2-1/4"	MS38224		FORD PINTO	50
3/8 x 2-1/2"	MS38225	W/FINDERS	GM	50
3/8 x 3"	MS38325	W/FINDERS	GM	50
3/8 x 3-1/4"	MS38314		GM	50
3/8 x 3-1/2"	MS38350	W/FINDERS	CHRYSLER	50
7/16 x 1-5/8"	MS716158		FORD	50
7/16 x 2-3/8"	MS716200	W/FINDERS	FORD	50
7/16 x 2-1/2"	MS716250		FORD	50
7/16 x 3"	MS716300		FORD	50
7/16 x 3-1/2"	MS716350		FORD	50
7/16 x 4"	MS716400		FORD	50



METRIC MANIFOLD STUDS				
SIZE	THREAD PITCH	PART NO.	APPLICATION	QUANTITY
8mm x 43 mm	1.25P	MS8125	Nissan / VW	50
10mm x 43mm	1.25P	MS101254	Honda / VW	50
10mm x 50mm	1.50P	MS10150	Pinto/Capri / Volvo	50
10mm x 65mm	1.25P	MS10X65		10
12mm x 50mm	1.25P	MS12125		50



HEXAGON SELF-TAPPING SCREWS		
SIZE	PART NO.	QUANTITY
5/16 x 3/4	ST516X034	100
5/16 x 1	ST516X100	100
5/16 x 1-1/4	ST516X114	100
5/16 x 1-1/2	ST516X112	100
3/8 x 1	ST380X100	100
3/8 x 1-1/2	ST380X112	100
M6 x 20mm V-W	ST6X20VW	100
M8 x 30mm	ST8X30	100
8X40	ST8X40	100

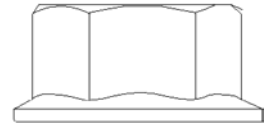


HARDWARE

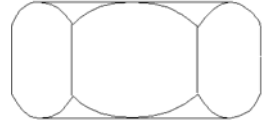
NUTS

HEXAGON NUTS					
SIZE	PART NO.		STYLE	DESCRIPTION	QUANTITY
	COARSE (USS-UNC)	FINE (SAE-UNF)			
1/4"	HN140C		STANDARD	SERRATED	100
5/16"	HN516C	HN516F	STANDARD		
5/16"	FN516S		FLANGE		
3/8"	HN380C	HN380F	STANDARD		
3/8"	FN380		FLANGE		
7/16"	HN716C	HN716F	STANDARD	USES 11/16" WRENCH	100
1/2"	HN120C	HN120F	STANDARD		100
5/16" x 7/16"	FN516H		FLANGE		100
7/16" x 5/8"		HN716X580	SPECIAL	USES 5/8" WRENCH	100

FLANGE NUT

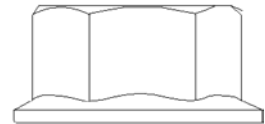


STANDARD NUT

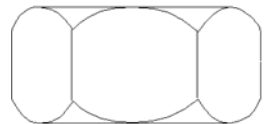


METRIC HEXAGON NUTS					
SIZE	THREAD PITCH	PART NO.	STYLE	DESCRIPTION	QUANTITY
6mm	1.00P	NT6X100MT	STANDARD	(Honda, Toyota)	100
8mm	1.00P	NT8X100MTL	LARGE		
8mm	1.25P	NT8X125MT	STANDARD		
8mm	1.25P	NT8X125CPL	COPPER-LARGE		
8mm	1.25P	NT8X125CPS	COPPER-SMALL		
10mm	1.25P	NT10X125MT	STANDARD		
10mm	1.50P	NT10X150MT	STANDARD		
10mm	1.50P	NT10X150BR	BRASS		
10mm	1.50P	NT10X150CPL	COPPER-LARGE		
10mm	1.50P	NT10X150CPS	COPPER-SMALL		
10mm	1.50P	NT10X150HN	HI-NUT		
10mm	1.50P	NT10X150MTL	LARGE		
12mm	1.25P	NT12X125F	FINE		
12mm	1.25P	NT12X125MT	STANDARD		

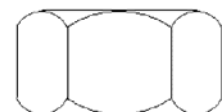
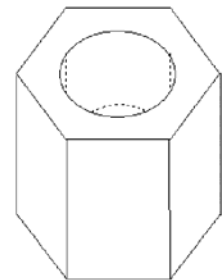
FLANGE NUT



STANDARD NUT



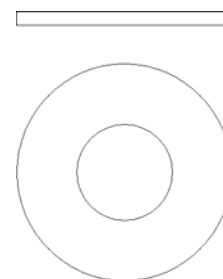
BRASS HEXAGON NUTS					
SIZE	PART NO.		STYLE	DESCRIPTION	QUANTITY
	COARSE (USS-UNC)	FINE (SAE-UNF)			
3/8"	BRN380C	BRN380F	STANDARD		50
3/8" x 5/8"	BRN380X625		SPECIAL	HIGH STYLE	10
7/16"	BRN716C		STANDARD		50
7/16" x 5/8"	BRN716X625		SPECIAL	HIGH STYLE	10



WASHERS

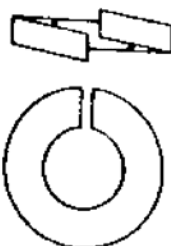
FLAT WASHER

BOLT SIZE	HOLE SIZE		CLASS	PART NO.	QUANTITY
	ID.	OD.			
5/16"	3/8"	7/8"	PLATE (USS)	PW516X087	250
3/8"	7/16"	1"	PLATE (USS)	PW380X100	250
7/16"	1/2"	1-1/4"	PLATE (USS)	PW716X114	100
1/2"	9/16"	1-3/8"	PLATE (USS)	PW012X138	100
5/16"	3/8"	1-1/4"	FENDER	FW516X114	100
3/8"	7/16"	1-1/4"	FENDER	FW380X114	100
3/8"	7/16"	1-1/2"	FENDER	FW380X112	100
1/4"	9/32"	5/8"	SAE	PW014X625	100
5/16"	11/32"	11/16"	SAE	PW516X068	250
3/8"	13/32"	13/16"	SAE	PW380X081	250
7/16"	15/32"	15/16"	SAE	PW716X094	100



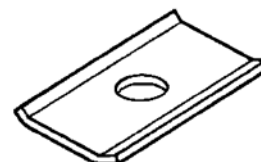
SPRING LOCK WASHERS

SIZE	PART NO.	QUANTITY
1/4"	LW140	100
5/16"	LW516	200
3/8"	LW380	200
7/16"	LW716	200
1/2"	LW120	100



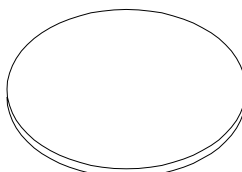
SQUARE WASHER PLATES

SIZE	HOLE SIZE	NUMBER HOLES	PART NO.	QUANTITY
1-1/2 x 1	3/8"	1	TPH54B	100



CROSSOVER DISCS

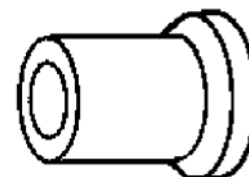
SIZE	PART NO.	QUANTITY
2-1/4"	CD120B	100
2-1/4"X2-1/2"	CD125B	100



BUSHING

SPECIALIZED BUSHINGS

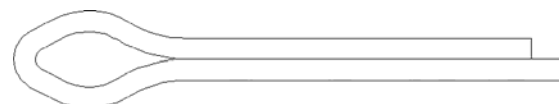
PART NO.	DESCRIPTION	APPLICATION	QUANTITY
FEH650-B	BUSHING	USED IN FEH650-F & FEH650-1	10



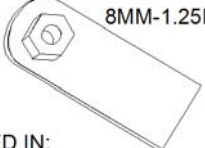
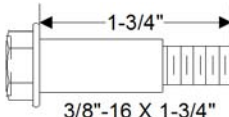
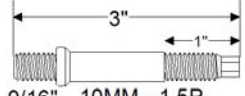

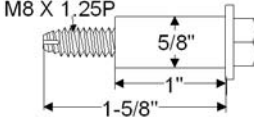
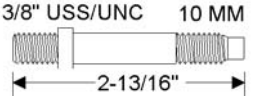
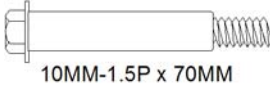
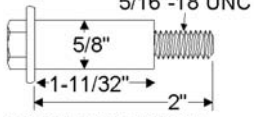
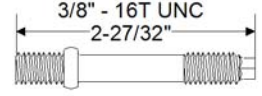

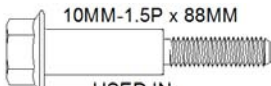
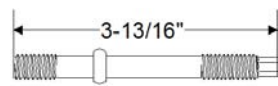

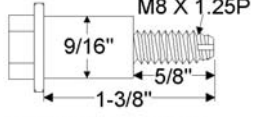
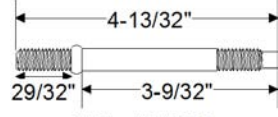


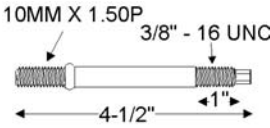
COTTER PINS

COTTER PINS

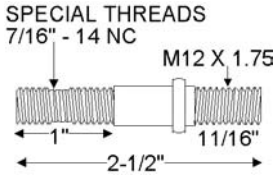

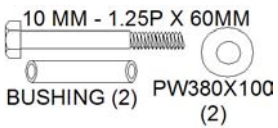

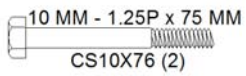
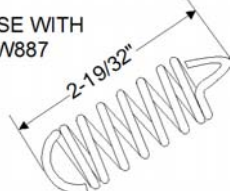
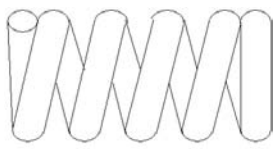
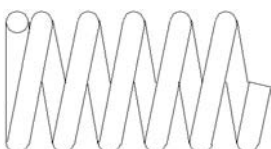



SIZE		PART NO.	QUANTITY
DIAMETER	LENGTH		
3/32"	3/32 x 1-1/4"	CP2X22	100
1/8"	1/8" x 1"	CP18X1	100
1/8"	1/8" x 1-1/2"	CP18X112	100
1/8"	1/8" x 2-1/2"	CP18X212	100
3/16"	3/16 x 2-1/2"	CP316X212	100



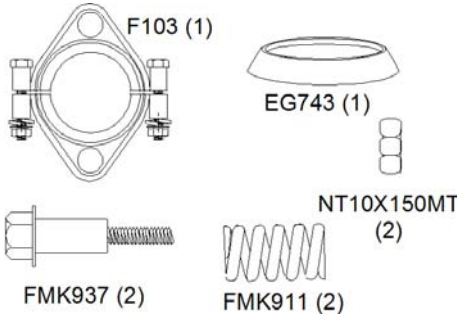
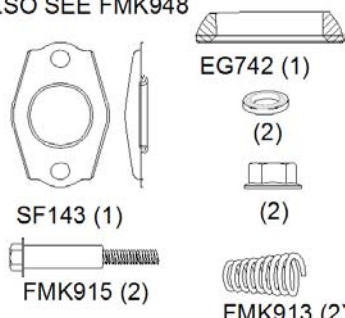
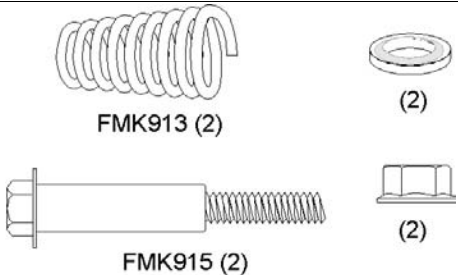
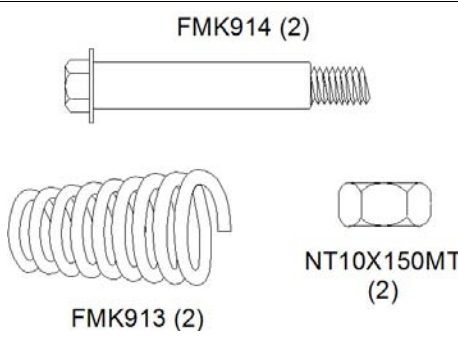
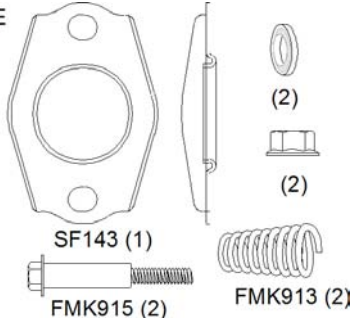
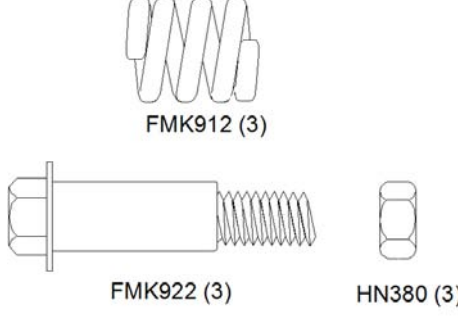
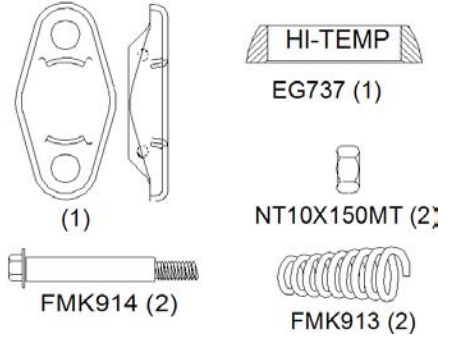
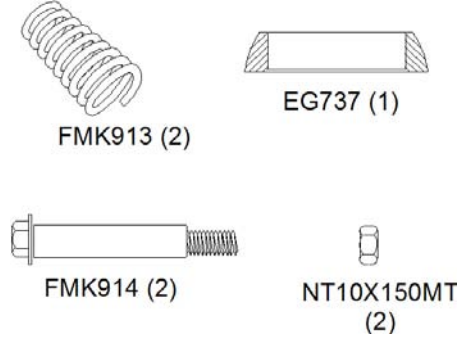
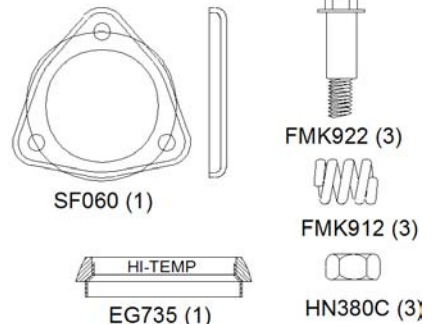
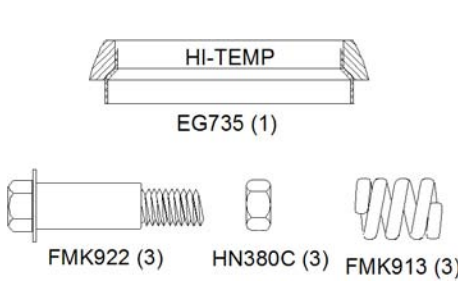
RETAINERS, SHOULDER BOLTS, STUDS, SPRINGS

<p>FMK917</p>  <p>1 2 3 4 5 6 H447</p> <p>USED IN: FMK487, FMK948, FMK949</p>	<p>FMK922</p>  <p>1 2 3 4 5 6 H390</p> <p>USED IN: FMK434, FMK442, FMK447</p>	<p>FMK935</p>  <p>1 2 3 4 5 6 H516</p> <p>9/16" 10MM - 1.5P CAUTION: THIS IS 10MM. ALSO SEE FMK939 & FMK943 USED IN: FMK925, FMK951</p>
<p>FMK918</p>  <p>1 2 3 4 5 6 H448</p> <p>USED IN: FMK927, FMK928, FMK946, FMK947</p>	<p>FMK934</p>  <p>1 2 4976 3 4 5 6 H458</p> <p>CHRYSLER PRODUCTS; RUBBER INSULATOR SUPPORT OEM NO. 6500306</p>	<p>FMK939</p>  <p>1 2 3 4 5 6 H536</p> <p>3/8" USS/UNC 10 MM 2-13/16" CAUTION: THIS IS 3/8" USS/UNC & 10 MM 1.5P ALSO SEE FMK935 & FMK943 USED IN: FMK950, FMK953</p>
<p>FMK914</p>  <p>1 529076 2 4970 3 TH1079 4 5 35313 6 H443</p> <p>USED IN: FMK433, FMK441, FMK446</p>	<p>FMK936</p>  <p>1 2 3 4 5 6 H517</p> <p>CHRYSLER PRODUCTS; RUBBER INSULATOR SUPPORT OEM NO. 6033047</p>	<p>FMK943</p>  <p>1 2 3 4 5 6 H528</p> <p>CAUTION: THIS IS 3/8" USS/UNC ALSO SEE FMK935 & FMK939 USED IN: FMK932, FMK952</p>
<p>FMK915</p>  <p>1 2 F5278 3 4 5 35280 6 H444</p> <p>USED IN: FMK424, FMK435, FMK487, FMK940, FMK948, FMK949, FMK501</p>	<p>FMK937</p>  <p>1 2 3 4 5 6 H519</p> <p>USED IN: FMK448, FMK451, FMK480, FMK498, FMK499, FMK923, FMK924, FMK927, FMK928, FMK946, FMK947, FMK1001</p>	<p>FMK944</p>  <p>1 2 3 4 5 6 H531</p> <p>3/8" - 16 USS/UNC USED IN: FMK941</p>
<p>FMK920</p>  <p>1 2 3 4 5 6 H450</p> <p>8MM - 1.25P x 64.5MM USED IN: FMK491</p>	<p>TH1088B</p>  <p>1 529085 2 4975 3 TH1088 4 5 35282 6 H457</p> <p>CHRYSLER PRODUCTS; RUBBER INSULATOR SUPPORT OEM NO. 6500202</p>	<p>FMK945</p>  <p>1 2 3 4 5 6 H532</p> <p>3/8" - 16 UNC USED IN: FMK942</p>
<p>FMK921</p>  <p>1 2 3 4 5 6 H452</p> <p>USED IN: FMK450</p>	<p>FMK916</p>  <p>1 2 4974 3 4 5 6 H445</p> <p>USED IN: FMK449</p>	<p>MS10450</p>  <p>1 2 3 4 5 6 H552</p> <p>USED IN: FMK500</p>

RETAINERS, SHOULDER BOLTS, STUDS, SPRINGS

MS38214		FMK912	
<ol style="list-style-type: none"> 1 2 3 H0988 4 5 6 H376 		<ol style="list-style-type: none"> 1 529074 2 3 H0912 4 5 35759 6 H287 	 <p style="font-size: small; margin-top: 5px;">USED IN: FMK434, FMK442, FMK447, FMK500, FMK941, FMK942, FMK950, FMK951, FMK952, FMK953, FMK971,</p>
FMK926		FMK913	
<ol style="list-style-type: none"> 1 2 3 4 5 35429 6 ES509 	 <p style="font-size: small; margin-top: 5px;">1988 - 89 MAZDA 626 2184CC (2.2L) M/T NON - TURBO AT CONVERTER</p>	<ol style="list-style-type: none"> 1 529075 2 4971 3 H0913 4 5 35281 6 H288 	 <p style="font-size: small; margin-top: 5px;">USED IN: FMK423, FMK424, FMK433, FMK435, FMK441, FMK446, FMK449, FMK487, FMK501, FMK940, FMK948, FMK949,</p>
FMK930		FMK931	
<ol style="list-style-type: none"> 1 2 3 4 5 35138 6 ES502 	 <p style="font-size: small; margin-top: 5px;">ALSO SEE: FMK929</p>	<ol style="list-style-type: none"> 1 2 3 4 5 6 H526 	<p style="text-align: center; font-size: small;">USE WITH FW887</p> 
FMK909		FMK933	
<ol style="list-style-type: none"> 1 2 3 4 5 6 H453 	 <p style="text-align: center; font-size: small; margin-top: 5px;">USED IN: FMK450</p>	<ol style="list-style-type: none"> 1 2 3 4 35133 5 35133 6 H221 	 <p style="text-align: center; font-size: small; margin-top: 5px;">USED IN: FMK929</p>
FMK910		FMK938	
<ol style="list-style-type: none"> 1 2 3 4 5 6 H451 	 <p style="text-align: center; font-size: small; margin-top: 5px;">USED IN: FMK491, FMK995</p>	<ol style="list-style-type: none"> 1 2 3 4 5 6 H520 	 <p style="text-align: center; font-size: small; margin-top: 5px;">FLAT GROUND USED IN: FMK928</p>
FMK911			
<ol style="list-style-type: none"> 1 2 3 4 5 6 H370 	 <p style="font-size: small; margin-top: 5px;">USED IN: FMK480, FMK448, FMK498, FMK499, FMK923, FMK924, FMK927, FMK946, FMK947, FMK969, FMK997, FMK1001</p>		

SPRING KIT ILLUSTRATIONS

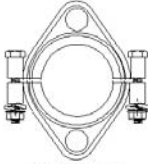




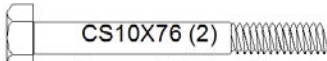



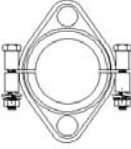





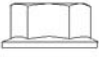












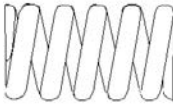
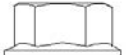



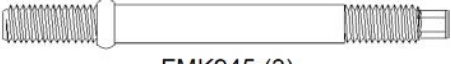


<p>FMK1001</p> <p>1 2 3 4 5 6 ES547</p>  <p style="text-align: center;">F103 (1) EG743 (1) NT10X150MT (2) FMK937 (2) FMK911 (2)</p>	<p>FMK435</p> <p>1 2 3 H0919 4 Y764 5 6 ES435</p> <p style="text-align: center;">ALSO SEE FMK948</p>  <p style="text-align: center;">SF143 (1) FMK915 (2) FMK913 (2) EG742 (1)</p>
<p>FMK423</p> <p>1 578801 2 4678 3 H0915 4 Y772 5 35908 6 ES423</p>  <p style="text-align: center;">FMK913 (2) FMK915 (2) (2) (2)</p> <p style="text-align: center;">ALSO SEE FMK487</p>	<p>FMK441</p> <p>1 578802 2 4970 3 TH1104 4 Y778 5 6 ES441</p>  <p style="text-align: center;">FMK914 (2) FMK913 (2) NT10X150MT (2)</p>
<p>FMK424</p> <p>1 2 3 H0916 4 5 6 ES424</p> <p style="text-align: center;">ALSO SEE FMK949</p>  <p style="text-align: center;">SF143 (1) FMK915 (2) FMK913 (2) (2) (2)</p>	<p>FMK442</p> <p>1 578803 2 4972 3 H0921 4 Y780 5 6 ES442</p>  <p style="text-align: center;">FMK912 (3) FMK922 (3) HN380 (3)</p>
<p>FMK433</p> <p>1 2 3 H0917 4 Y763 5 6 ES433</p>  <p style="text-align: center;">FMK914 (2) FMK913 (2) HI-TEMP EG737 (1) NT10X150MT (2)</p>	<p>FMK446</p> <p>1 2 3 4 5 6 ES446</p>  <p style="text-align: center;">FMK913 (2) FMK914 (2) NT10X150MT (2)</p>
<p>FMK434</p> <p>1 2 3 H0918 4 Y770 5 6 ES434</p>  <p style="text-align: center;">SF060 (1) FMK922 (3) FMK912 (3) HI-TEMP EG735 (1) HN380C (3)</p>	<p>FMK447</p> <p>1 2 3 4 5 6 ES447</p>  <p style="text-align: center;">HI-TEMP EG735 (1) FMK922 (3) HN380C (3) FMK913 (3)</p>

1. ARVIN / MAREMONT - CAN; 2. GOERLICH'S; 3. MAREMONT - USA; 4. IPC / MIDAS; 5. WALKER; 6. ROL

SPRING KIT ILLUSTRATIONS

<p>FMK449</p> <p>1 578805 2 4974 3 TH1107 4 Y779 5 6 ES486</p> <div style="text-align: center;"> FMK913 (2) FMK916 (2) </div>	<p>FMK491</p> <p>1 578808 2 3 TH1110 4 5 35129 6 ES491</p> <div style="text-align: center;"> FMK910 (2) NT8X125MT (2) FMK920 (2) </div>
<p>FMK450</p> <p>1 578806 2 8039 3 TH1108 4 Y814 5 35412 6 ES489</p> <div style="text-align: center;"> FMK909 (2) FMK921 (2) (2) </div>	<p>FMK498</p> <p>1 2 8040 3 4 Y820 5 35455 6 ES498</p> <div style="text-align: center;"> F74B (1) EG743 (1) FMK937 (2) NT10X150MT (2) FMK911 (2) CAN USE FMK946 </div>
<p>FMK451</p> <p>1 2 3 4 5 6 ES481</p> <div style="text-align: center;"> FMK911 (2) NT10X150MT (2) FMK937 (2) </div>	<p>FMK499</p> <p>1 578809 2 8041 3 TH1111 4 5 6 ES499</p> <div style="text-align: center;"> F148B (1) FMK937 (2) NT10X150MT (2) FMK911 (2) CAN USE FMK947 </div>
<p>FMK480</p> <p>1 2 3 4 5 6 ES480</p> <div style="text-align: center;"> FMK911 (2) EG743 (1) FMK937 (2) NT10X150MT (2) </div>	<p>FMK500</p> <p>1 2 3 4 5 6 ES532</p> <div style="text-align: center;"> MS10450 (3) FMK912 (3) (3) CAUTION: THIS IS METRIC & USS/UNC COMBINATION. USE FMK971 FOR METRIC ONLY </div>
<p>FMK487</p> <p>1 578807 2 4678 3 TH1109 4 Y776 5 6 ES487</p> <div style="text-align: center;"> FMK915 (2) NT8X125MT (2) FMK913 (2) FMK917 (2) ALSO SEE FMK423 </div>	<p>FMK501</p> <p>1 2 3 4 5 6 ES545</p> <div style="text-align: center;"> FMK913 (2) NT8X125MT (2) (2) FMK915 (2) EG847 (1) </div>

SPRING KIT ILLUSTRATIONS

<p>FMK923</p> <p>1 2 3 4 5 36128 6 ES504</p> <div style="display: flex; justify-content: space-around; align-items: center;">   </div> <p style="text-align: center;">F103B (1) EG807 (1)</p> <div style="display: flex; justify-content: space-around; align-items: center;">    </div> <p style="text-align: center;">FMK937 (2) NT10X150MT (2) FMK511 (2)</p>	<p>FMK929</p> <p>1 2 3 4 5 6 ES512</p> <div style="display: flex; justify-content: space-around; align-items: center;">  </div> <p style="text-align: center;">CS10X76 (2) 10mm - 1.25P x 75mm</p> <div style="display: flex; justify-content: space-around; align-items: center;">   </div> <p style="text-align: center;">FMK933 (2) PW380X100 (2)</p> <div style="display: flex; justify-content: space-around; align-items: center;">  <p>ALSO SEE FMK930</p> </div>
<p>FMK924</p> <p>1 2 3 4 5 6 ES505</p> <div style="display: flex; justify-content: center; align-items: center;">  </div> <p style="text-align: center;">F103B (1)</p> <div style="display: flex; justify-content: space-around; align-items: center;">    </div> <p style="text-align: center;">FMK937 (2) NT10X150MT (2) FMK911 (2)</p>	<p>FMK932</p> <p>1 2 8037 3 4 5 6 ES516</p> <div style="display: flex; justify-content: space-around; align-items: center;">  </div> <p style="text-align: center;">FMK943 (3)</p> <div style="display: flex; justify-content: space-around; align-items: center;">   </div> <p style="text-align: center;">FMK912 (3) FN380 (3)</p> <p style="text-align: center; font-size: small;">CAUTION: This is 3/8" USS/UNC. USE FMK925 FOR 10MM OR FMK950 FOR COMBINATION 10MM & 3/8" USS/UNC.</p>
<p>FMK925</p> <p>1 2 8038 3 4 5 6 ES506</p> <div style="display: flex; justify-content: space-around; align-items: center;">  </div> <p style="text-align: center;">FMK935 (3)</p> <div style="display: flex; justify-content: space-around; align-items: center;">   </div> <p style="text-align: center;">FMK912 (3) (3)</p> <p style="text-align: center; font-size: small;">CAUTION: THIS IS METRIC(10MM). USE FMK999 FOR 3/8" USS/UNC OR EFMK950 FOR 3/8" USS/UNC & 10MM COMBINATION</p>	<p>FMK940</p> <p>1 2 3 4 5 6 ES528</p> <div style="display: flex; justify-content: space-around; align-items: center;">   </div> <p style="text-align: center;">FMK913 (2) EG742 (1)</p> <div style="display: flex; justify-content: space-around; align-items: center;">   </div> <p style="text-align: center;">FMK915 (2) NT8X125MT (2)</p> <div style="display: flex; justify-content: center; align-items: center; margin-top: 10px;">  </div> <p style="text-align: center;">OEM STYLE WASHER (2)</p>
<p>FMK927</p> <p>1 2 3 4 5 36129 6 ES510</p> <div style="display: flex; justify-content: space-around; align-items: center;">   </div> <p style="text-align: center;">FMK918 (2) FMK911 (2)</p> <div style="display: flex; justify-content: center; align-items: center; margin-top: 20px;">  </div> <p style="text-align: center;">FMK937 (2)</p> <p style="text-align: center;">ALSO SEE FMK451</p>	<p>FMK941</p> <p>1 2 3 4 5 6 ES517</p> <div style="display: flex; justify-content: space-around; align-items: center;">  </div> <p style="text-align: center;">FMK944 (3)</p> <div style="display: flex; justify-content: space-around; align-items: center;">   </div> <p style="text-align: center;">FMK912 (3) FN380 (3)</p>
<p>FMK928</p> <p>1 2 3 4 5 6 ES511</p> <div style="display: flex; justify-content: space-around; align-items: center;">   </div> <p style="text-align: center;">FMK918 (2) FMK938 (2) FLAT GROUND</p> <div style="display: flex; justify-content: center; align-items: center; margin-top: 20px;">  </div> <p style="text-align: center;">FMK937 (2)</p>	<p>FMK942</p> <p>1 2 3 4 5 6 ES518</p> <div style="display: flex; justify-content: space-around; align-items: center;">  </div> <p style="text-align: center;">FMK945 (3)</p> <div style="display: flex; justify-content: space-around; align-items: center;">   </div> <p style="text-align: center;">FMK912 (3) FN380 (3)</p>

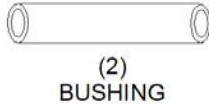
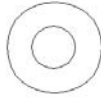
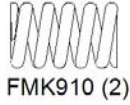
SPRING KIT ILLUSTRATIONS

<p>FMK946</p> <p>1 2 3 4 5 6 ES519</p> <p style="text-align: center;">ALSO SEE FMK498</p>	<p>FMK951</p> <p>1 2 3 4 5 6 ES524</p>
<p>FMK947</p> <p>1 2 3 4 5 6 ES520</p> <p style="text-align: center;">ALSO SEE FMK499</p>	<p>FMK952</p> <p>1 2 3 4 5 6 ES525</p>
<p>FMK948</p> <p>1 2 3 4 5 6 ES521</p>	<p>FMK953</p> <p>1 2 3 4 5 6 ES526</p>
<p>FMK949</p> <p>1 2 8042 3 4 Y772 5 31953 6 ES522</p> <p style="text-align: center;">ALSO SEE FMK424</p>	<p>FMK969</p> <p>1 2 3 4 5 6 ES539</p>
<p>FMK950</p> <p>1 2 3 4 5 6 ES523</p> <p>3/8" USS/UNC 10MM</p>	<p>FMK971</p> <p>1 2 3 4 5 6 ES531</p> <p style="text-align: center;">CAUTION: THIS IS 10MM x 1.50P USE FMK500 FOR METRIC AND USS/UNC COMBINATION</p>

SPRING KIT ILLUSTRATIONS

FMK995

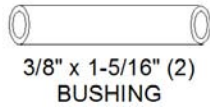
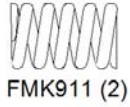
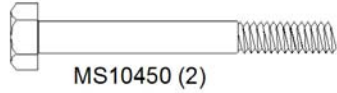
- 1
- 2 4680
- 3
- 4
- 5
- 6 ES529



PW380X100 (2)
FLAT WASHER









FMK997

- 1
- 2
- 3
- 4
- 5
- 6 ES530








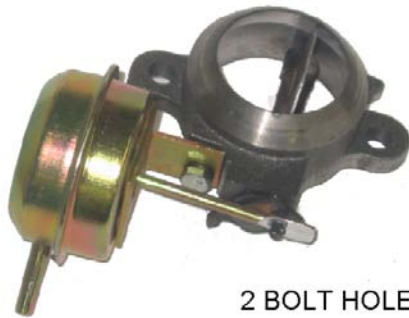


PW380X100 (2)
FLAT WASHER

HEAT RISERS



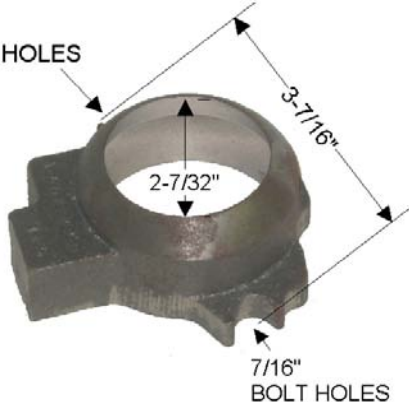




<p>HR005</p> <p>1 2 3 4 5 6 HR820</p> <p style="text-align: center;">OEM NO. J3238998</p> 	<p>HR024B</p> <p>1 2 3 H1541 4 5 6 HR151</p>  <p style="text-align: center;">ALSO SEE HR023</p>
<p>HR006</p> <p>1 2 3 4 5 6 HR403</p> <p style="text-align: center;">OEM NO. 3225006</p>  <p style="text-align: center;">USE G35B GASKET</p>	<p>HR034</p> <p>1 2 3 H1571 4 X1059 5 6 HR102</p> <p style="text-align: center;">OEM NO. 3887034</p>  <p style="text-align: center;">USE EG011 GASKET</p> <p style="text-align: right;">ALSO SEE HR024B</p>
<p>HR023</p> <p>1 2 9885 3 H1575 4 X1057 5 6 HR100</p>  <p style="text-align: center;">OEM NO.3887023</p>	<p>HR034B</p> <p>1 2 3 H1572 4 5 6 HR152</p> 
<p>HR024</p> <p>1 2 9886 3 H1540 4 X1058 5 6 HR101</p> <p style="text-align: center;">OEM NO. 3887024</p> <p style="text-align: center;">ALSO SEE HR024B</p>  <p style="text-align: center;">USE G24B GASKET</p>	<p>HR114</p> <p>1 2 3 H1542 4 5 6 HR400</p> <p style="text-align: center;">OEM NO. 3185114</p>  <p style="text-align: center;">USE G35B GASKET</p>

HEAT RISERS

<p>HR150</p> <p>1 2 3 4 5 6 HR802</p> <p style="text-align: center;">OEM NO. 5234145 5234815 5233200</p> <div style="text-align: center;">  </div> <p style="text-align: center;">3 BOLT HOLES</p>	<p>HR427A</p> <p>1 2 3 H1543 4 5 6 HR815</p> <div style="text-align: center;">  </div>
<p>HR155</p> <p>1 2 3 4 5 6 HR805</p> <p style="text-align: center;">OEM NO. 5233155</p> <div style="text-align: center;">  </div> <p style="text-align: center;">2 BOLT HOLES</p>	<p>HR427B</p> <p>1 2 3 4 5 6 HR817</p> <div style="text-align: center;">  </div>
<p>HR200</p> <p>1 2 3 4 5 6 HR200</p> <p style="text-align: center;">OEM NO. 1387452</p> <div style="text-align: center;">  </div>	<p>HR465</p> <p>1 2 3 4 X1176 5 6 HR401</p> <p style="text-align: center;">OEM NO. 3111465</p> <div style="text-align: center;">  </div> <p style="text-align: center;">USE EG014 GASKET</p>
<p>HR320</p> <p>1 2 3 4 5 6 HR801</p> <p style="text-align: center;">OEM NO. 5233320</p> <div style="text-align: center;">  </div>	<p>HR475</p> <p>1 2 3 H1545 4 5 6 HR803</p> <p style="text-align: center;">OEM NO. 5233475 5234835</p> <div style="text-align: center;">  </div> <p style="text-align: center;">2 BOLT HOLES</p>

1. ARVIN / MAREMONT - CAN; 2. GOERLICH'S; 3. MAREMONT - USA; 4. IPC / MIDAS; 5. WALKER; 6. ROL

HEAT RISERS

<p>HR650</p> <p>1 2 3 4 5 6 HR809</p> <p style="text-align: center;">OEM NO. 5234845</p> <div style="text-align: center;">  </div> <p style="text-align: center;">2 BOLT HOLES</p>	<p>HR903</p> <p>1 2 3 4 5 6 HR103</p> <p style="text-align: center;">OEM NO. 3969903</p> <div style="text-align: center;">  </div> <p style="text-align: center;">USE EG011 GASKET</p>
<p>HR650B</p> <p>1 2 3 4 5 6 HR154</p> <div style="text-align: center;">  <p style="text-align: center;">7/16" BOLT HOLES</p> <p style="text-align: center;">2-7/32"</p> <p style="text-align: center;">3-7/16"</p> <p style="text-align: center;">7/16" BOLT HOLES</p> </div>	<p>HR915</p> <p>1 2 3 H1576 4 X1142 5 6 HR105</p> <div style="text-align: center;">  </div>
<p>HR818</p> <p>1 2 3 4 5 6 HR818</p> <p style="text-align: center;">OEM NO. 5234820</p> <div style="text-align: center;">  </div> <p style="text-align: center;">FLAT MACHINED INLET & OUTLET</p>	<p>HR92</p> <p>1 2 3 4 X1185 5 6 HR501</p> <div style="text-align: center;">  </div> <p style="text-align: center;">OEM NO. 324888C92</p>
<p>HR819</p> <p>1 2 3 4 5 6 HR819</p> <p style="text-align: center;">OEM NO. 5234810</p> <div style="text-align: center;">  </div> <p style="text-align: center;">FLAT MACHINED INLET & OUTLET</p>	

MUFFLER CEMENT

PS95150

IRON REINFORCED MUFFLER

PIPE SHAPER



SIZE	PART NO.
6 oz.	MCD
16 oz.	MCS

SAW BLADES

SB95004

HEAVY DUTY CHOP SAW PREMIUM

HIGH QUALITY BI-METAL SAW BLADE WITH 18/14 TPI.



SIZE	PART NO.
4"	SB95007
12"	SB95008
14"	SB95009

6" x 3/4" 18/14 TPI

FOR AN 18 TPI BLADE USE SB95005

SB95006

SB95005

SAW BLADES

A HIGH QUALITY BI-METAL SAW BLADE WITH 18 TPI



4 PER CASE

6" X 3/4" X 18 TPI

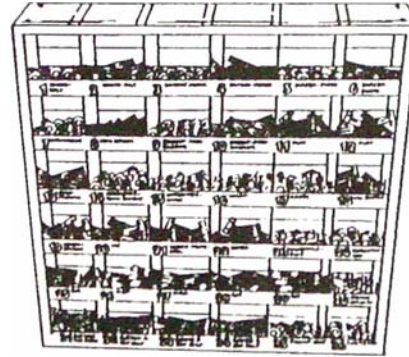
FOR A COMBINATION 18/14 TPI BLADE USE SB95004

FASTENING HARDWARE BINS – MUFFLER SHOP BIN

MUFFLER SHOP BIN

A 36 compartment steel bin, loaded with the popular hardware.

MSP1200B - bin only



MB1400BIN

Metric/Import car hardware

1 100 pcs. Hex Nut NT6X100MT	2 20 pcs. Hex Bolt CS6X12	3 20 pcs. Hex Bolt CS6X20	4 20 pcs. Hex Bolt CS6X54	5 20 pcs. Self-Tap Screw ST6X20VW	6 100 pcs. Hex Nut NT8X125MTL
7 100 pcs. Hex Nut NT8X100MTL	8 25 pcs. Copper Exh Nut NT8X125CPS	9 25 pcs. Exhaust Stud MS8150	10 25 pcs. Exhaust Stud MS8X46	11 20 pcs. Self-Tap Screw ST8X30	12 20 pcs. Self-Tap Screw ST8X40
13 100 pcs. Hex Nut NT8X125MTS	14 25 pcs. Copper Exh Nut NT8X125CPL	15 25 pcs. Brass Nut NT8x125SBR	16 25 pcs Full Thread Stud MS8125	17 10 pcs. Step Stud MS10X65	18 20 pcs. Hex Bolt CS8X20
19 20 pcs. Hex Bolt CS8X30	20 20 pcs. Hex Bolt CS8X40	21 20 pcs. Hex Bolt CS8X55	22 100 pcs. Hex Nut NT10X150MTL	23 100 pcs. Hex Nut NT10X150MTL	24 25 pcs. Copper Exh Nut NT10X150CPS
25 25 pcs. Exhaust Stud MS10150	26 20 pcs. Hex Bolt CS10X30	27 20 pcs. Hex Bolt CS10X56	28 20 pcs. Hex Bolt CS10X76	29 100 pcs. Hex Nut NT10X125MT	30 25 pcs. Brass Nut ST516X100
31 25 pcs. Exhaust Stud MS10125	32 20 pcs. Hex Bolt CS10X30F	33 20 pcs. Hex Bolt CS10X40F	34 20 pcs. Hex Bolt CS10X50F	35 100 pcs. Hex Nut NT12X125MT	36 25 pcs. Exhaust Stud MS12125

MSP1200BIN

Import & American car hardware

1 50 pcs. NT10X125MT	2 20 pcs. MS101254	3 50 pcs. NT8X125MT	4 20 pcs. MS8125	5 25 pcs. NT10X150NT	6 20 pcs. MS10150
7 25 pcs. NT12X125MT	8 10 pcs. MS12125	9 25 pcs. NT8X125CPL	10 20 pcs. MS8150	11 20 pcs. CS6X54	12 10 pcs. CS8X76
13 20 pcs. MS8180	14 25 pcs. NT8X125CPS	15 25 pcs. NT20X150CPS	16 25 pcs. NT10X150NH	17 25 pcs. NT10X150NH	18 25 pcs. ST6X20VW
19 20 pcs. ST8X30	20 10 pcs. CS10X76	21 20 pcs. CS8X30	22 25 pcs. CS6X30	23 50 pcs. NT8X125MTL	24 50 pcs. HN716X580
25 20 pcs. CS10X56	26 10 pcs. MS716200	27 10 pcs. MS716400	28 10 pcs. MS38225	29 10 pcs. MS38325	30 50 pcs. ST516X100
31 25 pcs. ST380X112	32 50 pcs. CS516X100	33 50 pcs. CS516X112	34 50 pcs. CS380X112	35 100 pcs. HN516C	36 100 pcs. HN380C

FASTENER ASSORTMENTS

FASTENING HARDWARE BINS – Metric Manifold Stud Pac

MSP233BIN

METRIC MANIFOLD STUD PACK

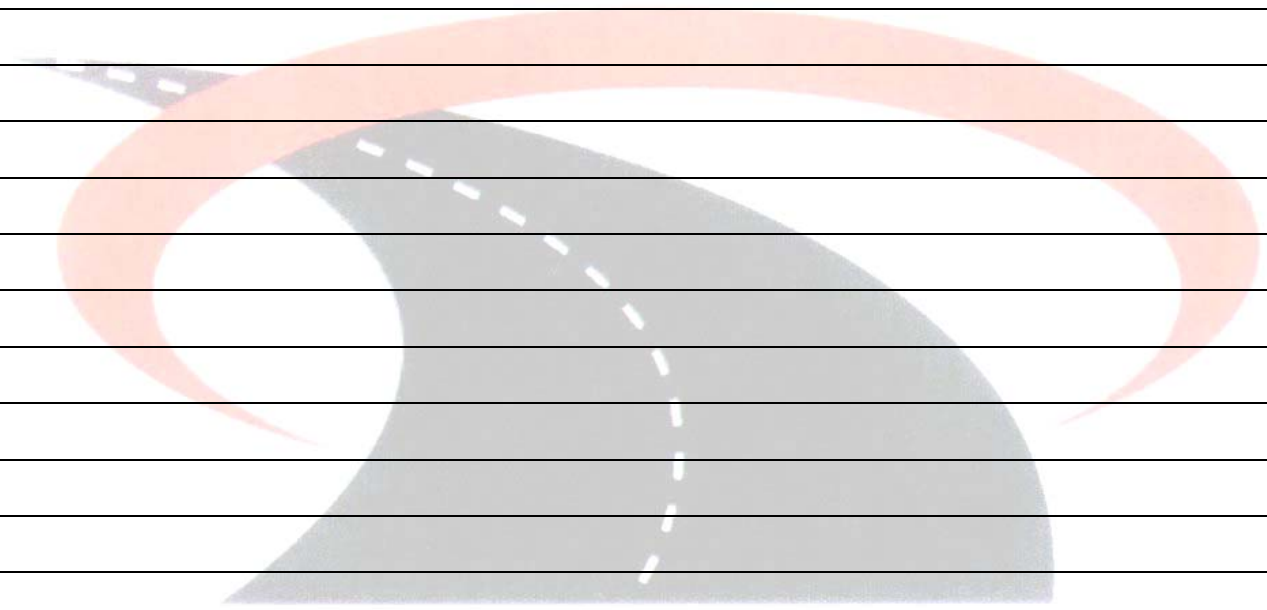
A total of 420 popular metric nuts & studs in an “easy to reach” case, ...looking for hardware is wasted time. Look no further.



MSP233B - bin only

<p>310 100 pcs. Pitch Nut Use with 210 Stud</p> <p>NT8X125MT</p>	<p>312 50 pcs. Special Nut Use with 212 or 216 Stud</p> <p>NT10X125MT</p>	<p>314 50 pcs. Nut Use with 214 Stud</p> <p>NT10X150MT</p>	<p>316 50 pcs. Special Nut Use with 212 or 216 Stud</p> <p>NT10X125MT</p>	<p>318 30 pcs. Special Nut Use with Pinto Stud 218</p> <p>HN716X580</p>

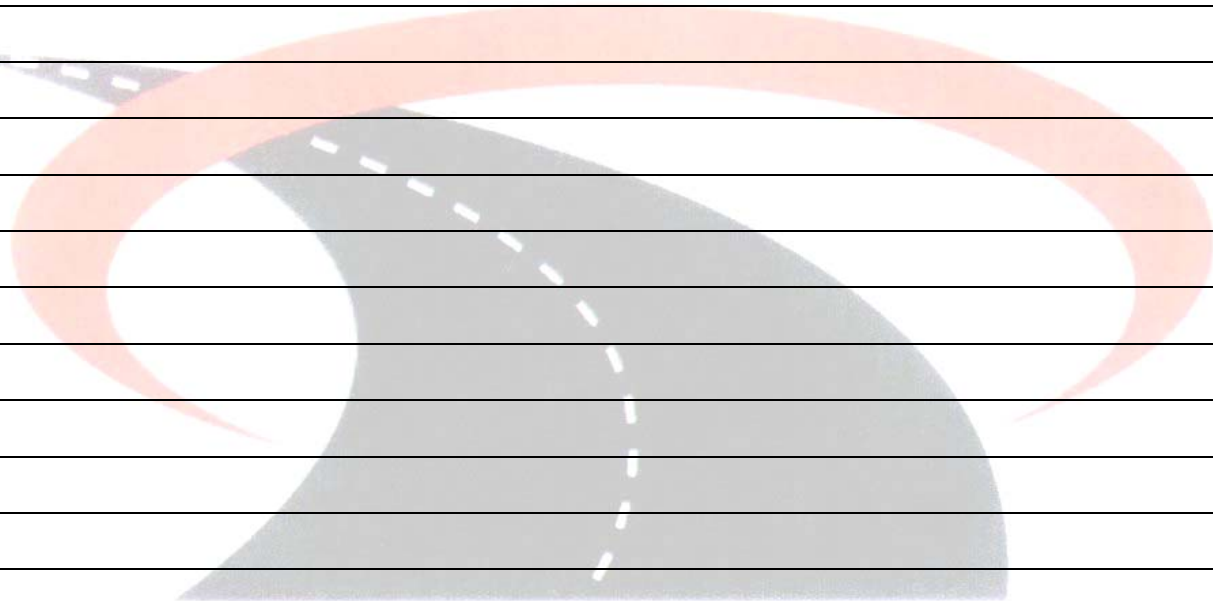
NOTES



MARWIL

P R O D U C T S

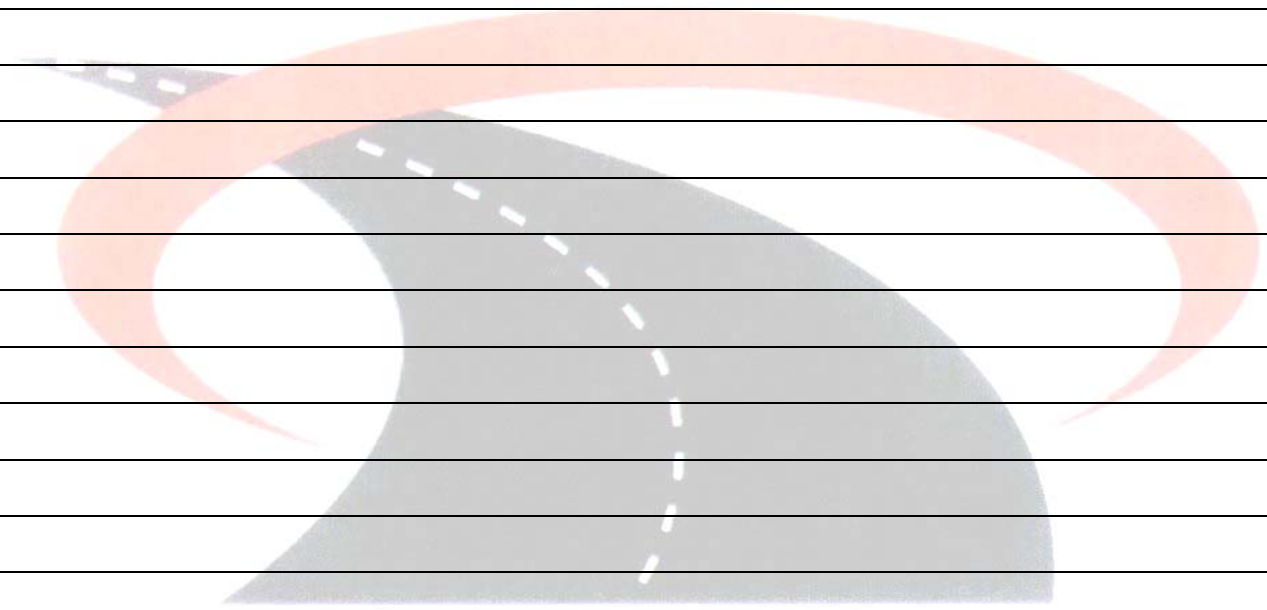
NOTES



MARWIL

P R O D U C T S

NOTES



MARWIL

P R O D U C T S

