

DYNOMAX

Performance Exhaust



DYNOMAX

Performance Exhaust



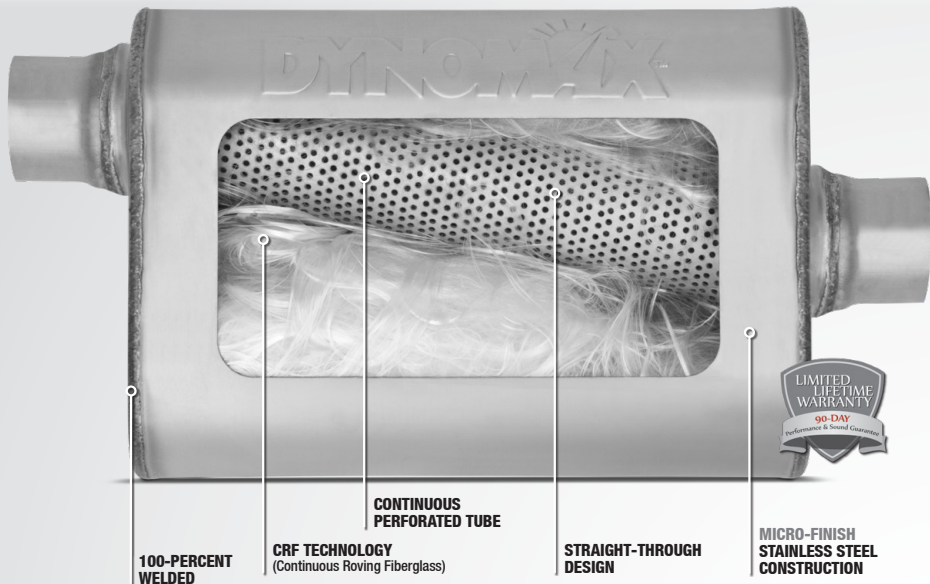
DYNOMAX.COM

THRUSHEXHAUST.COM



©Tenneco 2017. Printed in the USA R-DM0037-1017

Pure. UNADULTERATED. **POWER.**



100-PERCENT WELDED

CRF TECHNOLOGY
(Continuous Roving Fiberglass)

CONTINUOUS PERFORATED TUBE

STRAIGHT-THROUGH DESIGN

MICRO-FINISH STAINLESS STEEL CONSTRUCTION



ULTRA FLO™ WELDED X

Sound Level | DEEP PERFORMANCE TONE

- Designed for vehicles with limited space
- 100-percent welded design for maximum durability
- Straight-through design ensures unrestricted exhaust flow and reduces back pressure
- Limited Lifetime Warranty*



ULTRA FLO™ WELDED

Sound Level | DEEP PERFORMANCE TONE



CONFIGURATION CENTER - CENTER

PART NO. 17218
17220
17517



CONFIGURATION OFFSET - CENTER

PART NO. 17514
17217
17512
17219
17513
17236
17221
17233
17235



CONFIGURATION OFFSET - OFFSET

PART NO. 17226
17222
17229
17547
17557



CONFIGURATION CROSSFLOW

PART NO. 17227 17536 17577



CONFIGURATION DUAL INLET - DUAL (X-TYPE)

PART NO. 17552
17553
17554



CONFIGURATION CENTER - DUAL

PART NO. 17234 17228



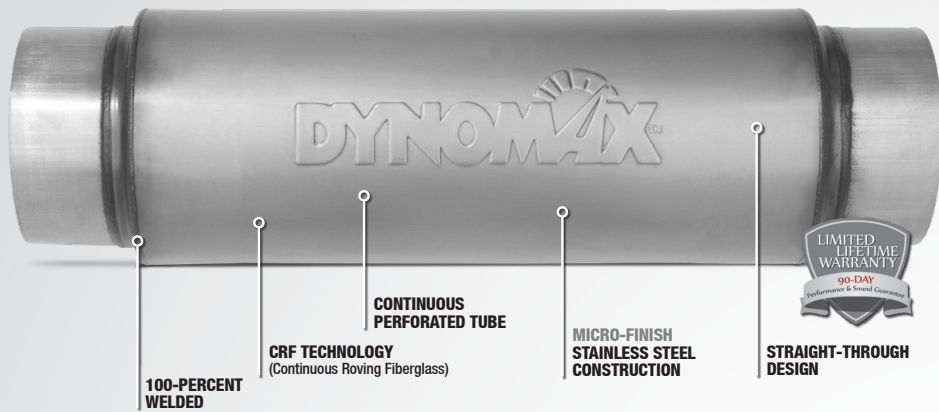
CONFIGURATION DUAL INLET - DUAL

PART NO. 17231

SPECIFICATION CHART

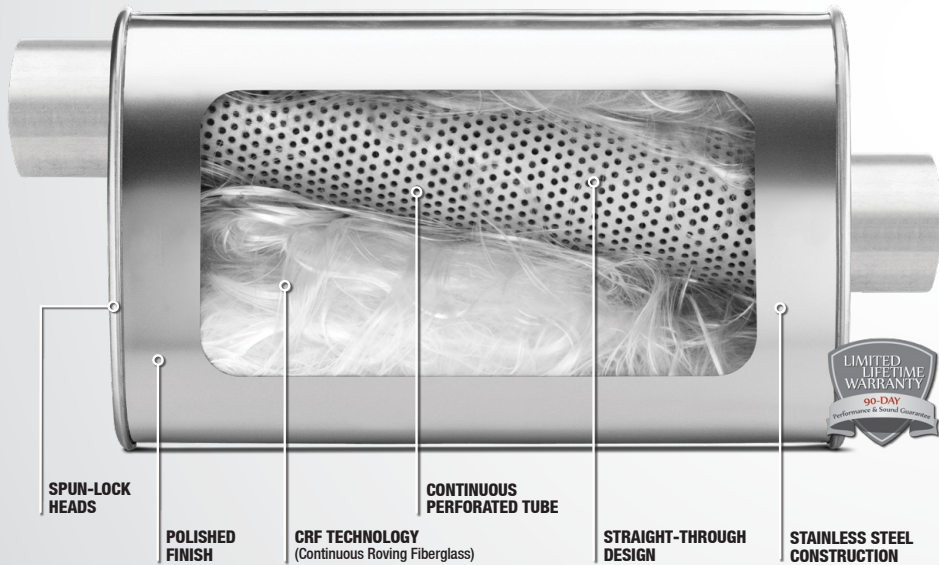
PART NO.	SHELL LENGTH	OVERALL LENGTH	SHELL DIAMETER	INLET DIAMETER	OUTLET DIAMETER
17218	14	19	4 1/2 x 9 3/4	2 1/2	2 1/2
17220	14	19	4 1/2 x 9 3/4	3	3
17517	14	19	4 1/2 x 9 3/4	3 1/2	3 1/2
17514	14	19	4 1/2 x 9 3/4	2	2
17217	14	19	4 1/2 x 9 3/4	2 1/4	2 1/4
17512	20	25	4 1/2 x 9 3/4	2 1/4	2 1/4
17219	14	19	4 1/2 x 9 3/4	2 1/2	2 1/2
17513	20	25	4 1/2 x 9 3/4	2 1/2	2 1/2
17236	24	29	4 1/2 x 9 3/4	2 1/2	2 1/2
17221	14	19	4 1/2 x 9 3/4	3	3
17233	20	25	4 1/2 x 9 3/4	3	3
17235	24	29	4 1/2 x 9 3/4	3	3
17226	14	19	4 1/2 x 9 3/4	2 1/4	2 1/4
17222	14	19	4 1/2 x 9 3/4	2 1/2	2 1/2
17229	14	19	4 1/2 x 9 3/4	3	3
17547	20	27	4 1/2 x 9 3/4	3	3
17557	25	30	8 1/4 x 11 1/2	4	4
17227	20	24	4 1/2 x 9 3/4	3	2 1/2 (2)
17536	20	24	4 1/2 x 9 3/4	3	3 (2)
17577	20	24	4 1/2 x 9 3/4	2 1/2	2 1/2 (2)
17234	20	25	4 1/2 x 9 3/4	2 1/2	2 1/2 (2)
17228	14	19	4 1/2 x 9 3/4	3	2 1/2 (2)
17231	14	19	4 1/2 x 9 3/4	2 1/2 (2)	2 1/2 (2)
17552	20	25	4 1/2 x 9 3/4	2 1/4	2 1/4
17553	20	25	4 1/2 x 9 3/4	2 1/2	2 1/2
17554	20	25	4 1/2 x 9 3/4	3	3

Muffler images show configuration, see application chart for exact dimensions. All measurements are in inches. Configuration is shown as inlet - outlet. Shell diameter is shown as height x width. Inlet/outlet diameter is ID.



ULTRA FLO™ WELDED ROUND

Sound Level | DEEP PERFORMANCE TONE



ULTRA FLO™ STAINLESS STEEL POLISHED

Sound Level | DEEP PERFORMANCE TONE



CONFIGURATION 6-in. ROUND

PART NO. 17230 17223 17224 17225 17537 21172 22572

SPECIFICATION CHART

PART NO.	SHELL LENGTH	OVERALL LENGTH	SHELL DIAMETER	INLET DIAMETER	OUTLET DIAMETER
17230	16	21	6-in. Round	2 1/2	2 1/2
17223	16	21	6-in. Round	3	3
17224	16	21	6-in. Round	3 1/2	3 1/2
17225	16	21	6-in. Round	4	4
17537	22	27	6-in. Round	4	4
21172	15	22	6-in. Round	4	4
22572	20	27	6-in. Round	4	4



CONFIGURATION 6-in. ROUND

PART NO. 17263
17267
17296



CONFIGURATION OFFSET - CENTER

PART NO. 17282
17283
17289



CONFIGURATION CROSSFLOW

PART NO. 17266



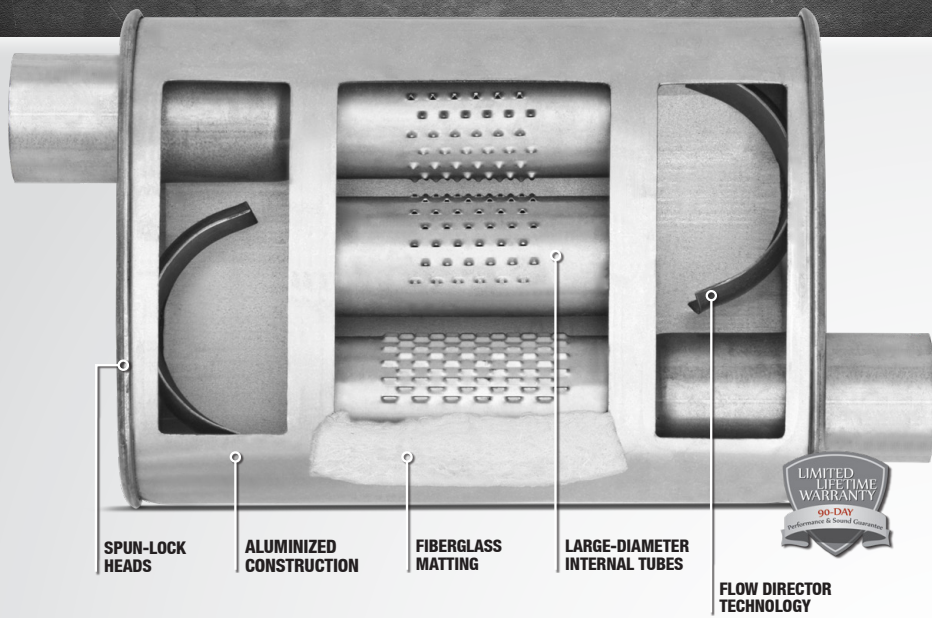
CONFIGURATION CENTER - DUAL

PART NO. 17519 17273

SPECIFICATION CHART

PART NO.	SHELL LENGTH	OVERALL LENGTH	SHELL DIAMETER	INLET DIAMETER	OUTLET DIAMETER
17263	16	20	6-in. Round	2 1/2	2 1/2
17267	12	16	6-in. Round	3	3
17296	16	20	6-in. Round	3	3
17282	14	19	4 1/4 x 9 3/4	2 1/4	2 1/4
17283	14	19	4 1/4 x 9 3/4	2 1/2	2 1/2
17289	20	25	4 1/4 x 9 3/4	2 1/2	2 1/2
17266	18	24	4 1/4 x 9 3/4	2 1/2	2 1/2 (2)
17519	14	19	4 1/4 x 9 3/4	3	2 1/2 (2)
17273	23	29	5 1/2 x 11	3	2 1/2 (2)

Muffler images show configuration, see application chart for exact dimensions. All measurements are in inches. Configuration is shown as inlet - outlet. Shell diameter is shown as height x width. Inlet/outlet diameter is ID.



SPUN-LOCK HEADS

ALUMINIZED CONSTRUCTION

FIBERGLASS MATTING

LARGE-DIAMETER INTERNAL TUBES

FLOW DIRECTOR TECHNOLOGY



SUPER TURBO™

Sound Level | MELLOW PERFORMANCE TONE



CONFIGURATION CAMARO STYLE
PART NO. 17739
17670



CONFIGURATION CENTER - CENTER
PART NO. 17673



CONFIGURATION CENTER - DUAL
PART NO. 17758
17674X
17776



CONFIGURATION CROSSFLOW
PART NO. 17786



CONFIGURATION OFFSET - CENTER
PART NO. 17762 17733
17730 17748
17731 17797
17767 17744★
17747 17793
17741 17769



CONFIGURATION OFFSET - OFFSET
PART NO. 17777 17691
17763 17692
17736 17734
17742 17749
17783# 17743★
17729X 17665
17732 17792
17629X* 17698
17662X 17789



CONFIGURATION INLET/OUTLET SAME SIDE
PART NO. 17676

SPECIFICATION CHART

PART NO.	SHELL LENGTH	OVERALL LENGTH	SHELL DIAMETER	INLET DIAMETER	OUTLET DIAMETER
17739	19	24	4 1/2 x 9 3/4	2 1/2	2 1/2 (2)
17670	22	26	5 1/2 x 11	3	3 (2)
17673	16	20	5 1/2 x 11	3	3
17758	19	25 1/2	4 1/4 x 9 3/4	2 1/2	2 1/2 (2)
17674x	13	17	4 1/4 x 9 3/4	3	2 1/2 (2)
17776	23	29	5 1/2 x 11	3	2 1/2 (2)
17786	21	26	4 1/4 x 9 3/4	2 1/2	2 1/4 (2)
17676	14	15 1/2	4 1/4 x 9 3/4	2 1/2	2 1/2
17762	14	18 1/2	3 1/4 x 7 3/4	2	2
17730	14	18 1/2	4 1/4 x 9 3/4	2	2
17731	14	18 1/2	4 1/4 x 9 3/4	2 1/4	2 1/4
17767	20	25 1/2	4 1/4 x 9 3/4	2 1/4	2 1/4
17747	20	25 1/2	4 1/4 x 9 3/4	2 1/4	2 1/4
17741	14	19 1/2	6 Round	2 1/4	2 1/4
17733	14	18 1/2	4 1/4 x 9 3/4	2 1/2	2 1/2
17748	20	25 1/2	4 1/4 x 9 3/4	2 1/2	2 1/2
17797	14	18 1/2	4 1/4 x 9 3/4	2 3/4	2 3/4
17744★	14	20	4 1/4 x 9 3/4	3	3
17793	16	23	5 1/2 x 11	3	3
17769	20	27	5 1/2 x 11	3	3
17777	11	16	3 1/4 x 7 3/4	2	2 1/4
17763	14	18 1/2	3 1/4 x 7 3/4	2	2
17736	14	18 1/2	4 1/4 x 9 3/4	2	2
17742	14	19 1/2	6 Round	2	2
17783#	18	22 3/4	6 Round	2	2
17729x	14	17 1/2	4 1/4 x 8 13/16	2 1/4	2 1/4
17732	14	18 1/2	4 1/4 x 9 3/4	2 1/4	2 1/4
17629x*	16	18 1/2	4 1/4 x 8 13/16	2 1/2	2 1/2
17662x	16	18 1/2	4 1/4 x 8 13/16	2 1/2	2 1/2
17691	14	17 1/2	4 1/4 x 8 13/16	2 1/2	2 1/2
17692	14	17 1/2	4 1/4 x 8 13/16	2 1/2	2 1/2
17734	14	18 1/2	4 1/4 x 9 3/4	2 1/2	2 1/2
17749	20	25 1/2	4 1/4 x 9 3/4	2 1/2	2 1/2
17743★	14	20	4 1/4 x 9 3/4	3	3
17665	22	27	5 1/2 x 11	3	3
17792	16	23	5 1/2 x 11	3	3
17698	18	24	8 3/8 Round	3	3
17789	30	36	8 3/8 Round	3	3

* Stainless Steel Construction. ★ 2 1/2-in. Dia. Flow Tubes. # Includes Inlet Flange. ✕ No Flow Directors.

Muffler images show configuration, see application chart for exact dimensions. All measurements are in inches. Configuration is shown as inlet - outlet. Shell diameter is shown as height x width. Inlet/outlet diameter is ID.



SLOTTED BUSHING ENDS

CRF TECHNOLOGY
(Continuous Roving Fiberglass)

ALUMINIZED OR 409 STAINLESS STEEL CONSTRUCTION

100-PERCENT WELDED

STRAIGHT-THROUGH DESIGN

RACE SERIES BULLET

Sound Level | DEEP RACE TONE



Sound Level | DEEP RACE TONE

RACE SERIES MINI BULLET

AVAILABLE IN:

- 3.5-in. and 4-in. round mufflers
- 3.5-in. and 6-in. shell length
- 6.5-in. and 9-in. overall length

- 3-in., 3.5-in. and 4-in. inlet diameter
- 3-in. and 3.5-in. OD outlet diameter



CONFIGURATION 4-in. ROUND

PART NO.	24215	24236
	24219	24234
	24222	24238
	24234	24246*
	24235	24248*



CONFIGURATION 5-in. ROUND

PART NO.	24216
	24217
	24243
	24244
	24245*
	24247*



CONFIGURATION 6-in. ROUND

PART NO.	24233*
----------	--------

SPECIFICATION CHART

PART NO.	SHELL LENGTH	OVERALL LENGTH	SHELL DIAMETER	INLET DIAMETER	OUTLET DIAMETER
24215	12	16.5	4-in. Round	2.5	2.5
24219	16	23.5	4-in. Round	3	3
24222	12	16.5	4-in. Round	3	3
24234	12	16.5	4-in. Round	2.25	2.25
24235	18	23.5	4-in. Round	2.25	2.25
24236	18	23.5	4-in. Round	2.5	2.5
24238	12	18.25	4-in. Round	3	3
24246*	12	16.5	4-in. Round	2.5	2.5
24248*	12	16.5	4-in. Round	3	3
24216	12	16.5	5-in. Round	3.5	3.5
24217	12	16.5	5-in. Round	4	4
24243	14	18	5-in. Round	2	2
24244	14	18	5-in. Round	2.25	2.25
24245*	12	17.25	5-in. Round	3.5	4
24247*	12	16.5	5-in. Round	3.5	3.5
24233*	16	21	6-in. Round	5	5



CONFIGURATION 3.5-in. ROUND

PART NO.	24249*
----------	--------



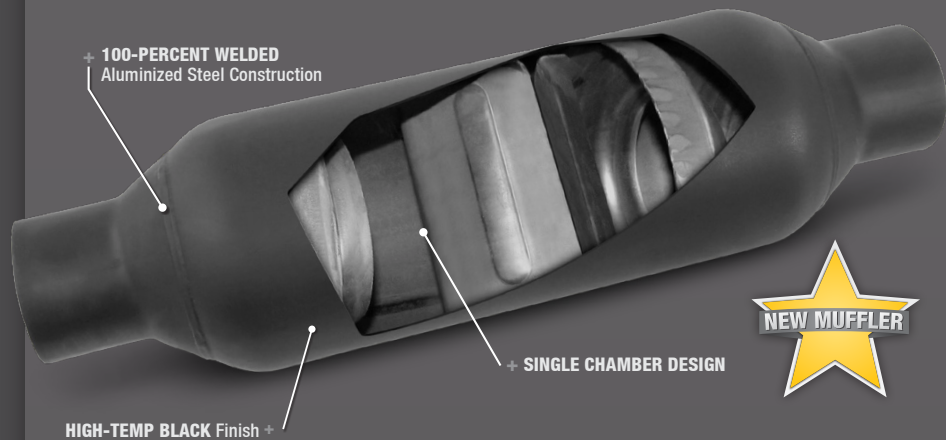
CONFIGURATION 4-in. ROUND

PART NO.	24250*	24251*	24252*
----------	--------	--------	--------

SPECIFICATION CHART

PART NO.	SHELL LENGTH	OVERALL LENGTH	SHELL DIAMETER	INLET DIAMETER	OUTLET DIAMETER
24249*	3.5	6.5	3.5-in. Round	3	3
24250*	6.5	9	4-in. Round	3	3
24251*	5.75	9	4-in. Round	3.5	3.5
24252*	7.5	9	4-in. Round	4	3.5

* Stainless Steel Construction.
Muffler images show configuration, see application chart for exact dimensions. All measurements are in inches.
Configuration is shown as inlet - outlet. Shell diameter is shown as height x width. Inlet/outlet diameter is ID.



+ 100-PERCENT WELDED
Aluminized Steel Construction

+ SINGLE CHAMBER DESIGN



HIGH-TEMP BLACK Finish +

THRUSH® RATTLER

THIS BIRD IS LOUD AND PROUD

SINGLE CHAMBER DESIGN FOR VERY AGGRESSIVE TONE
100-percent Welded Aluminized steel construction
Available in 2.25-in., 2.5-in., 3-in. or 4-in. inlet and outlet
Directional flow, non-reversible
18-in. Overall length
High-Temp black finish



CONFIGURATION 5-in. ROUND

PART NO. 24253

24254

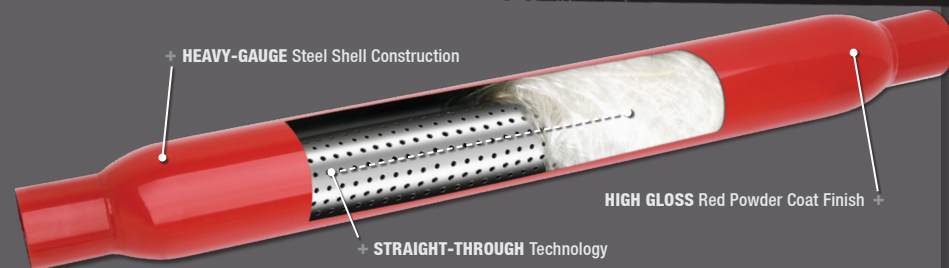
24255

24256

Specification Chart

PART NO.	SHELL LENGTH	OVERALL LENGTH	SHELL DIAMETER	INLET DIAMETER	OUTLET DIAMETER
24253	12.5	18	5-in. Round	2.25	2.25
24254	12.5	18	5-in. Round	2.5	2.5
24255	12.5	18	5-in. Round	3	3
24256	12.5	18	5-in. Round	4	4

Muffler images show configuration, see application chart for exact dimensions.
All measurements are in inches. Configuration is shown as inlet - outlet. Inlet/outlet diameter is ID.



+ HEAVY-GAUGE Steel Shell Construction

HIGH GLOSS Red Powder Coat Finish +

+ STRAIGHT-THROUGH Technology

THRUSH® GLASSPACK



CONFIGURATION CENTER - DUAL

PART NO. 24224¹



CONFIGURATION CENTER - CENTER

PART NO. 24069 24203 24210

24200 24204 24214

24201 24205 24242

24202



CONFIGURATION HEADER GLASSPACK

PART NO. 24221²

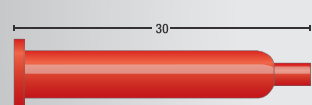


CONFIGURATION HEADER w/ TURN DOWN

PART NO. 24223

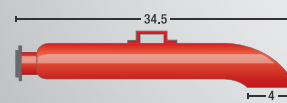
Specification Chart

PART NO.	SHELL LENGTH	OVERALL LENGTH	SHELL DIAMETER	INLET DIAMETER	OUTLET DIAMETER
24069	18	23	3.5	2.25	2.25
24200	20	25	3.5	2	2
24201	20	25	3.5	2.25	2.25
24202	22	27	3.5	2	2
24203	22	27	3.5	2.25	2.25
24204	26	31	3.5	2	2
24205	26	31	3.5	2.25	2.25
24210	12	17	3	1.75	1.75
24214	23	28	4	2.5	2.5
24242	20	25	4	3	3
24224 ¹	18	29	4	3	2.5 (2)



HEADER GLASSPACK MUFFLER

PART NO.	A	B	C	D	BODY DIAMETER	USE GASKET NO.
24221 ²	4.25	3.375	4	3	4	88201



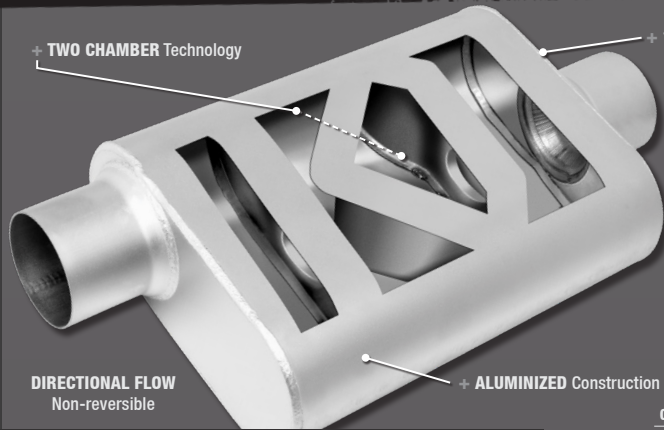
HEADER GLASSPACK MUFFLER WITH TURN DOWN

PART NO.	A	B	C	D	BODY DIAMETER	USE GASKET NO.
24223	4.25	3.375	4	3	4	88201

¹ Fully reversible. ² Fits with 3-in. header collector.

Muffler images show configuration, see application chart for exact dimensions. All measurements are in inches. Configuration is shown as inlet - outlet. Inlet/outlet diameter is ID.

THRUSHEXHAUST.COM



+ TWO CHAMBER Technology

+ 100-PERCENT Welded Construction

DIRECTIONAL FLOW
Non-reversible

+ ALUMINIZED Construction



SCAN FOR YOUR
TONE TRIAL



CONFIGURATION CENTER - DUAL
PART NO. 17630 17653
17652 17661



+ SPUN-LOCK Heads

+ TRI-FLOW Technology

+ ALUMINIZED Construction



CONFIGURATION DUAL - DUAL
PART NO. 17654

THRUSH® WELDED



CONFIGURATION CENTER - OFFSET
PART NO. 17649 17651
17650



CONFIGURATION OFFSET - CENTER
PART NO. 17655 17657
17656



CONFIGURATION DUAL - DUAL
PART NO. 17637



CONFIGURATION OFFSET - OFFSET
PART NO. 17658
17659
17660



CONFIGURATION OFFSET - DUAL
PART NO. 17638

THRUSH® TURBO

TRI-FLOW TECHNOLOGY

Tri-flow design provides that Thrush® classic sound
100-percent Aluminized coated shell for long life
Available in 2-in., 2.25-in. or 2.5-in. inlet and outlet
Reversible for maximum flexibility



CONFIGURATION OFFSET - OFFSET
PART NO. 17696
17703
17712
17714



SCAN FOR YOUR
TONE TRIAL



CONFIGURATION OFFSET - CENTER
PART NO. 17702 17715
17704 17717
17711 17718
17713

Specification Chart

PART NO.	SHELL LENGTH	OVERALL LENGTH	SHELL DIAMETER	INLET DIAMETER	OUTLET DIAMETER
17630	13	19	4 x 9 1/2	3	2.25 (2)
17652	13	19	4 x 9 1/2	2.25	2.25 (2)
17653	13	19	4 x 9 1/2	2.5	2.5 (2)
17661	13	19	4 x 9 1/2	3	2.5 (2)
17637	17	23	4 x 9 1/2	2.25 (2)	2.25 (2)
17638	15	21	4 x 9 1/2	2.5	2.5 (2)
17649	13	19	4 x 9 1/2	3	3
17650	13	19	4 x 9 1/2	2.5	2.5
17651	13	19	4 x 9 1/2	2.25	2.25
17655	13	19	4 x 9 1/2	2.25	2.25
17656	13	19	4 x 9 1/2	2.5	2.5
17657	13	19	4 x 9 1/2	3	3
17658	13	19	4 x 9 1/2	2.25	2.25
17659	13	19	4 x 9 1/2	2.5	2.5
17660	13	19	4 x 9 1/2	3	3

Muffler images show configuration, see application chart for exact dimensions.
All measurements are in inches. Configuration is shown as inlet - outlet. Inlet/outlet diameter is ID.

Specification Chart

PART NO.	SHELL LENGTH	OVERALL LENGTH	SHELL DIAMETER	INLET DIAMETER	OUTLET DIAMETER
17654	20	24	4 1/4 x 9 3/4	2.5 (2)	2.5 (2)
17696	14	18.5	4 1/4 x 9 3/4	2.5	2.5
17703	11	16	3 1/4 x 7 3/4	2	2
17712	14	18.5	4 1/4 x 9 3/4	2	2
17714	14	18.5	4 1/4 x 9 3/4	2.25	2.25
17702	11	16	3 1/4 x 7 3/4	2	2
17704	14	18.5	3 1/4 x 7 3/4	2	2
17711	14	18.5	4 1/4 x 9 3/4	2	2
17713	14	18.5	4 1/4 x 9 3/4	2.25	2.25
17715	14	18.5	4 1/4 x 9 3/4	2.5	2.5
17717	20	25	4 1/4 x 9 3/4	2.25	2.25
17718	20	25	4 1/4 x 9 3/4	2.5	2.5

Muffler images show configuration, see application chart for exact dimensions. All measurements are in inches. Configuration is shown as inlet - outlet. Inlet/outlet diameter is ID.

VINTAGE SOUND...TODAY'S POWER™

THRUSHEXHAUST.COM



HUSH THRUSH™

TRI-FLOW TECHNOLOGY

Fully Aluminized construction for long life
 Fiberglass matting for better sound control
 Thrush Logo embossed on muffler cover
 Available in 2.25-in., 2.5-in., or 3-in. inlet and outlet
 Reversible for maximum flexibility



CONFIGURATION OFFSET - CENTER
 PART NO. 17631
 17633
 17635



CONFIGURATION OFFSET - OFFSET
 PART NO. 17632
 17634
 17636

Specification Chart

PART NO.	SHELL LENGTH	OVERALL LENGTH	SHELL DIAMETER	INLET DIAMETER	OUTLET DIAMETER
17631	14	18.5	4 1/2 x 9 3/4	2.25	2.25
17633	14	18.5	4 1/2 x 9 3/4	2.5	2.5
17635	14	20	4 1/2 x 9 3/4	3	3
17632	14	18.5	4 1/2 x 9 3/4	2.25	2.25
17634	14	18.5	4 1/2 x 9 3/4	2.5	2.5
17636	14	20	4 1/2 x 9 3/4	3	3

Muffler images show configuration, see application chart for exact dimensions.
 All measurements are in inches. Configuration is shown as inlet - outlet. Inlet/outlet diameter is ID.

VINTAGE SOUND...TODAY'S POWER™



UNIVERSAL STAINLESS STEEL TIPS



- 1 Clamp on design
- 2 Mirror Polished 304 Stainless Steel
- 3 DynoMax® embossed logo
- 4 Stainless steel clamps included

SPECIFICATION CHART

304 POLISHED STAINLESS STEEL TIPS		PART NO.	TYPE	STYLE	OVERALL LENGTH	INLET DIA. (ID)	OUTLET DIA. (OD)
		36484	Single Wall	Slant Cut	6	2.5	3
		36472	Double Wall	Slant Cut	6	2.75	4
		36505	Double Wall	Slant Cut	6	3	4
		36506	Single Wall	Slant Cut	9	3	4
		36486	Single Wall	Slant Cut	12	2.5	3
		36488	Single Wall	Slant Cut	12	2.5	4
		36473	Double Wall	Slant Cut	12	2.5	4
		36466	Double Wall	Slant Cut	12	2.75	4
		36474	Single Wall	Slant Cut	12	3	4
		36507	Single Wall	Slant Cut	12	4	5
		36477	Single Wall	Slant Cut	18	4	5
		36483*	Single Wall	Slant Cut	14	5	6

ALL TIPS INCLUDE CLAMPS

*DPF Cooling Tip. All measurements are in inches.

*For sound trial and other information visit dynomax.com 15