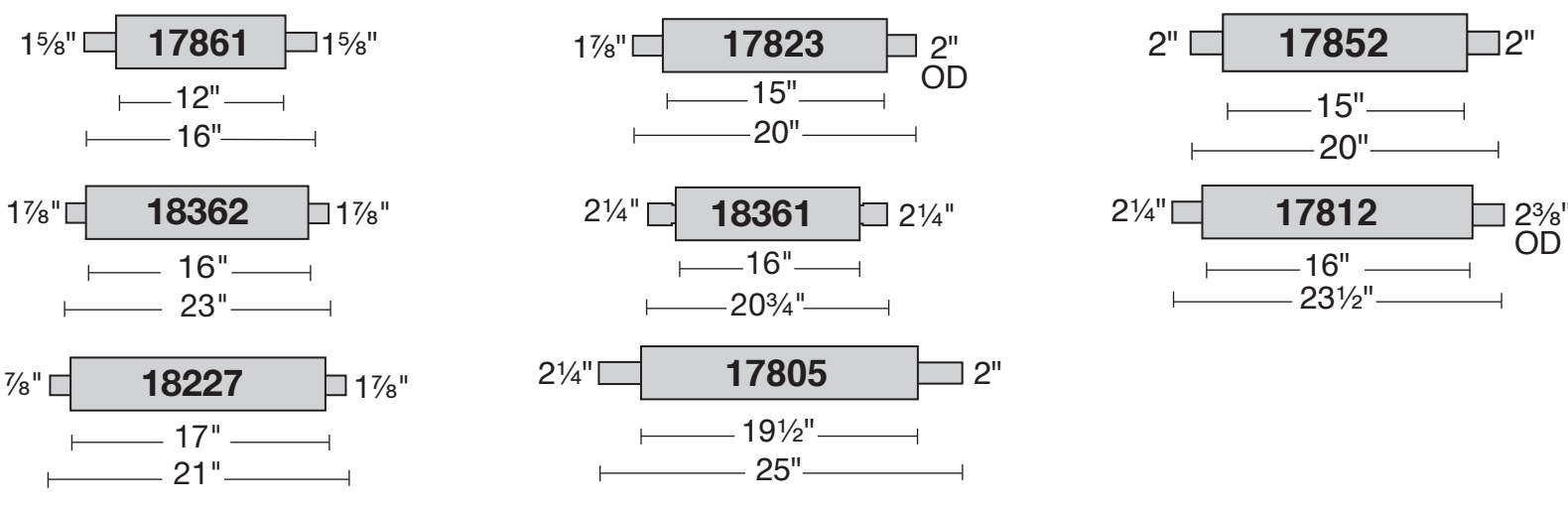


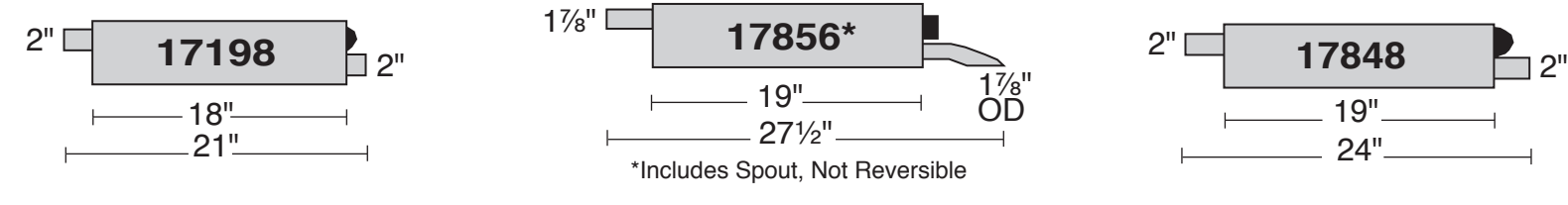
EXHAUST PROFESSIONAL UNIVERSAL MUFFLERS

Mufflers are arranged by cross section, style, body length, then bushing diameter
* All sizes are inside diameter unless otherwise noted.

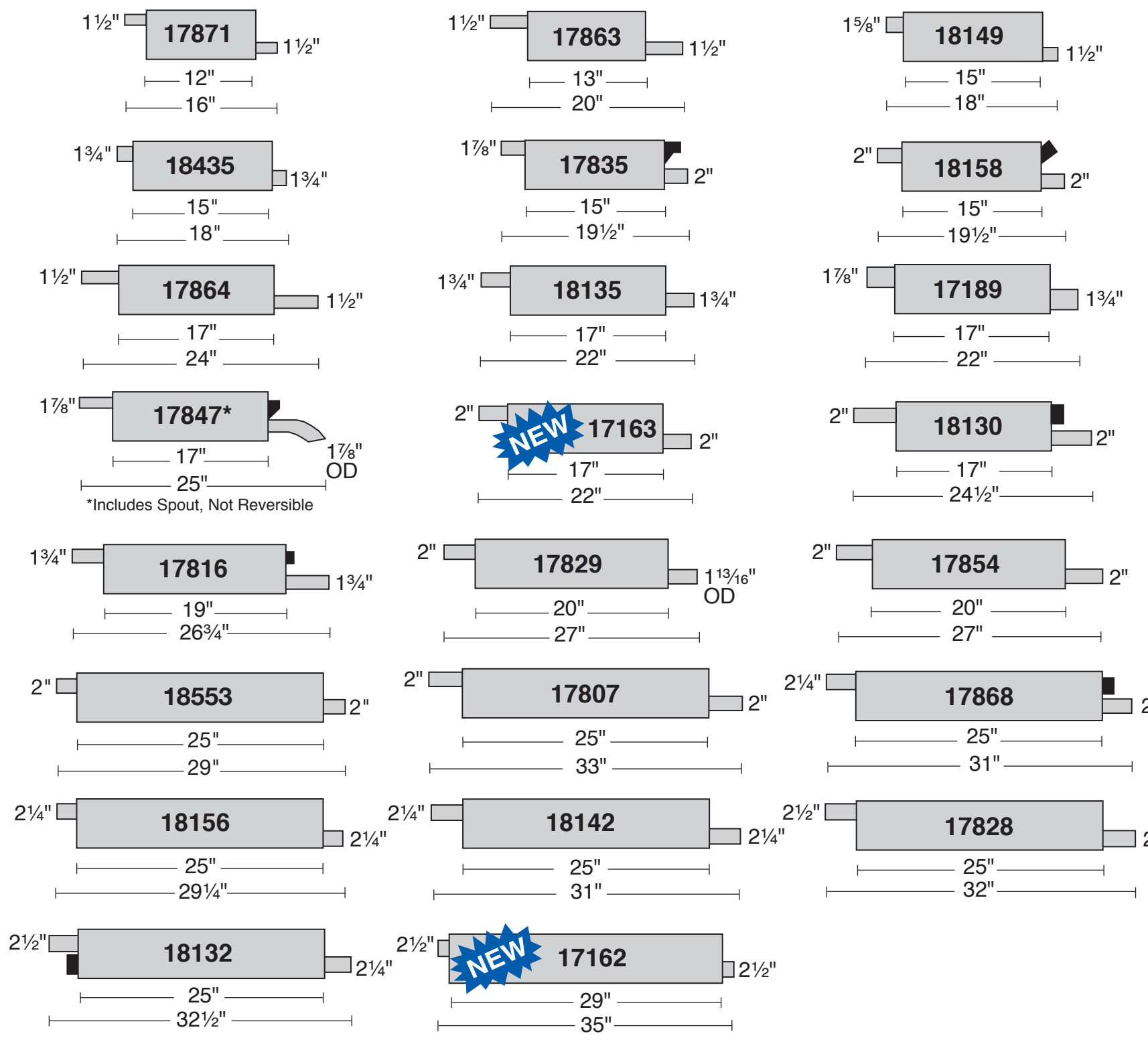
4" ROUND CENTER - CENTER REVERSIBLE



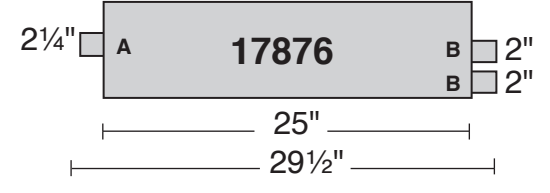
5" ROUND OFFSET - OFFSET REVERSIBLE



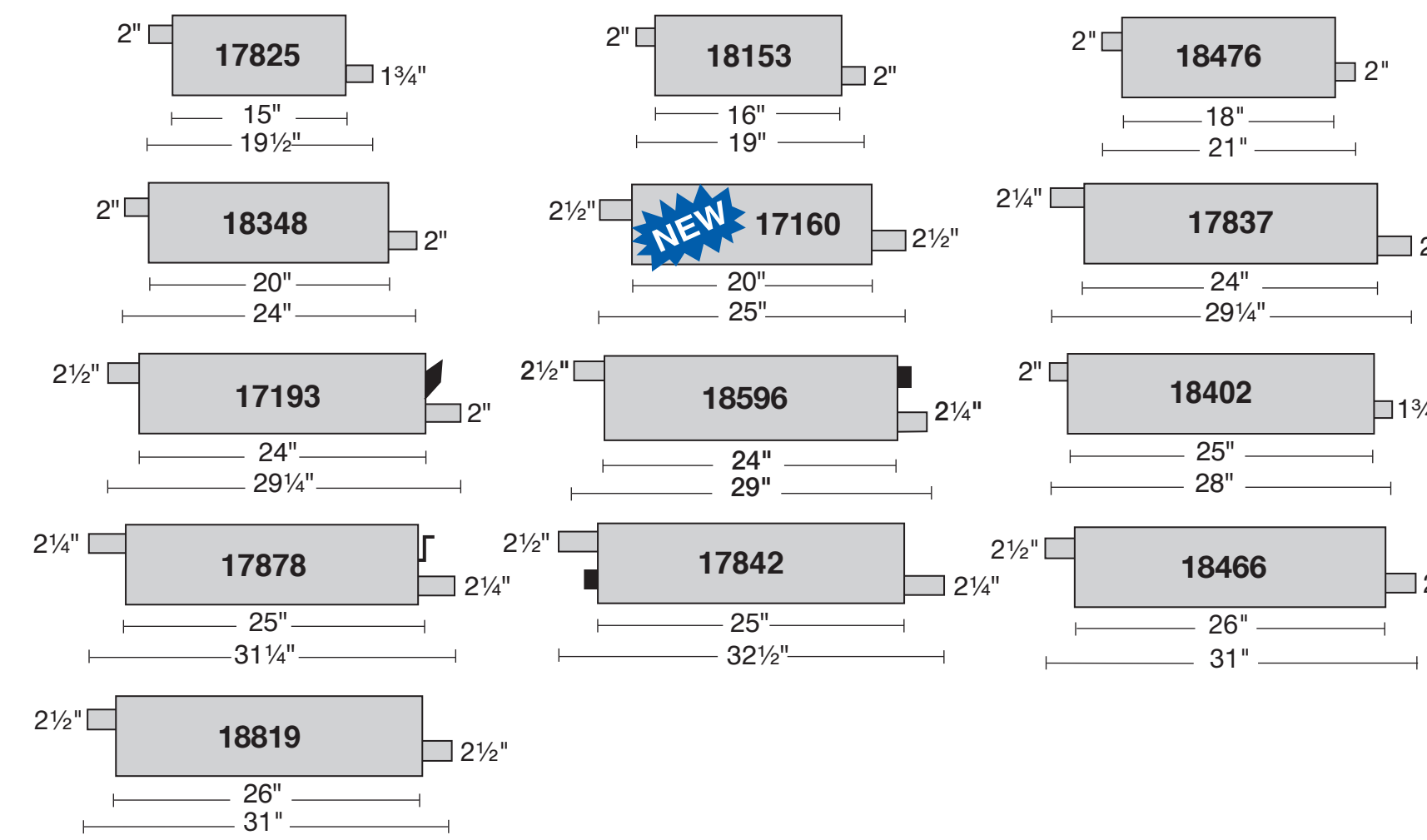
6" ROUND OFFSET - OFFSET REVERSIBLE



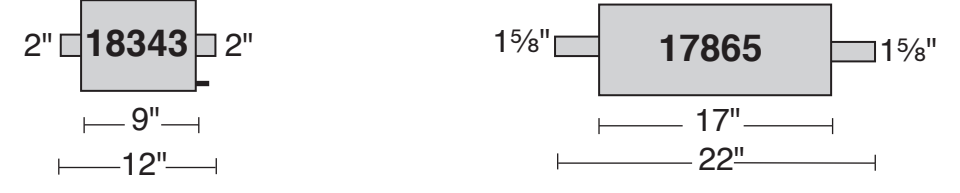
7" ROUND CENTER - CENTER/OFFSET (DUAL OUTLETS)



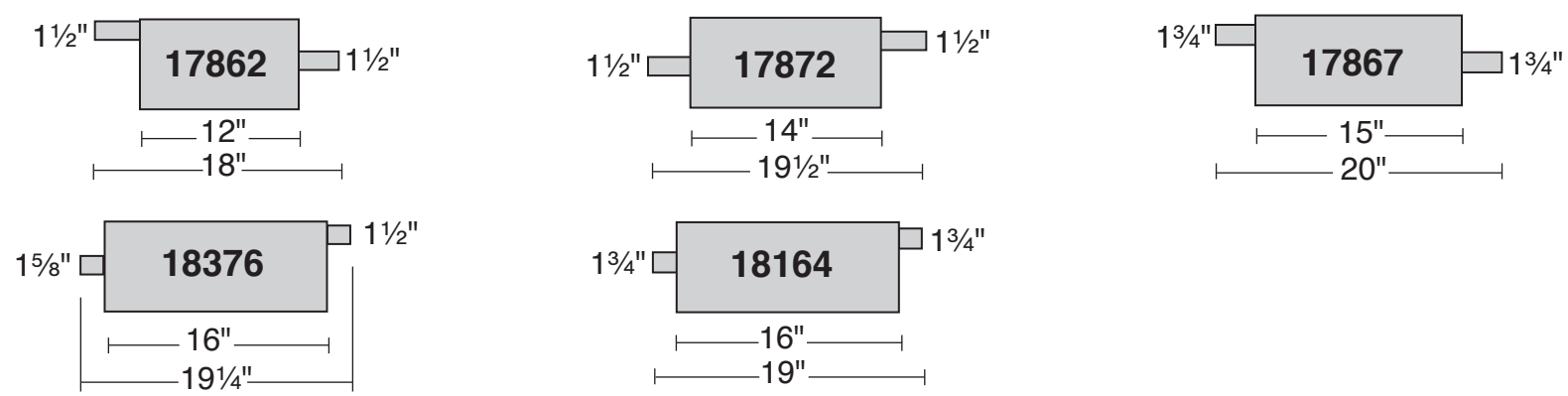
7" ROUND OFFSET - OFFSET REVERSIBLE



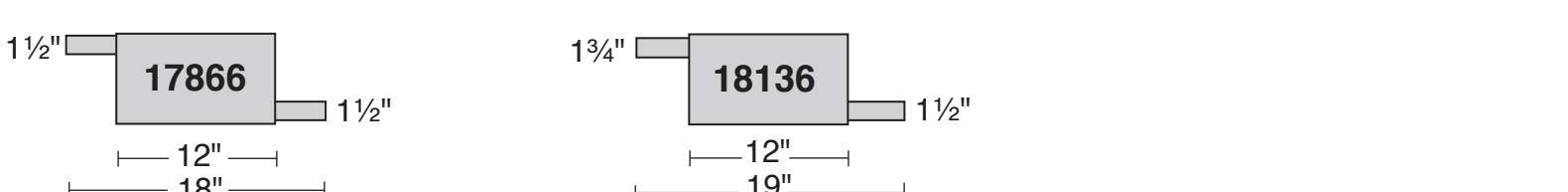
3 1/4" x 7 3/4" CENTER - CENTER REVERSIBLE



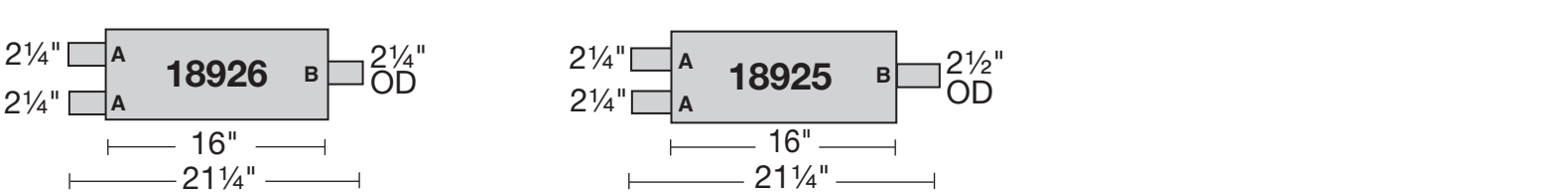
3 1/4" x 7 3/4" CENTER - OFFSET OR OFFSET - CENTER REVERSIBLE



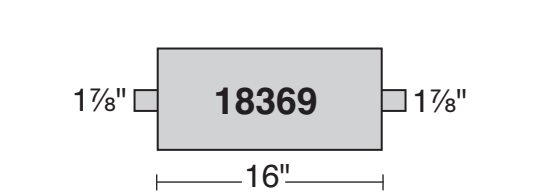
3 1/4" x 7 3/4" OFFSET - OFFSET REVERSIBLE



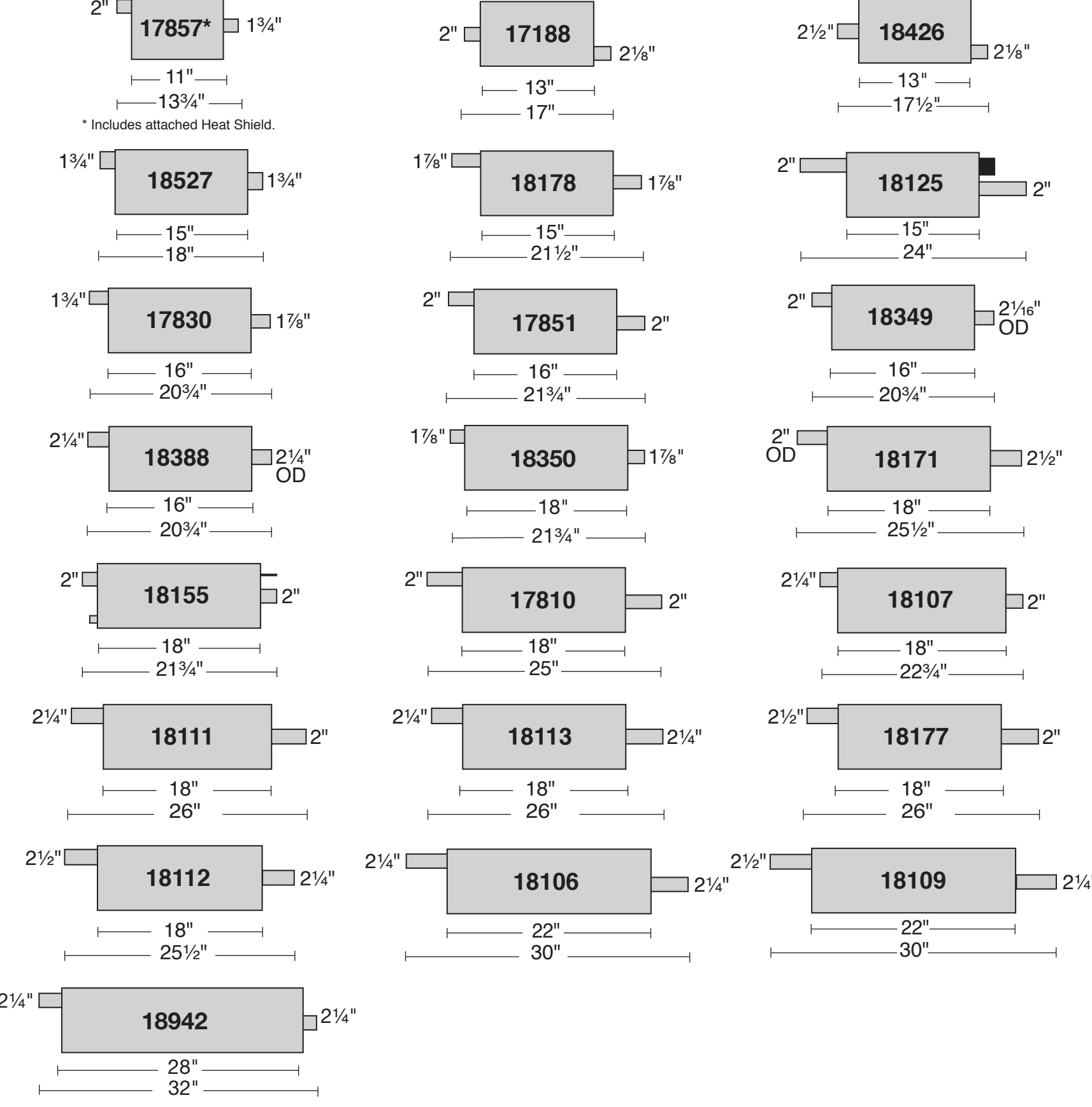
3 1/4" x 7 3/4" OFFSET/OFFSET (DUAL INLETS) - CENTER



4 1/4" x 8 13/16" CENTER - CENTER REVERSIBLE



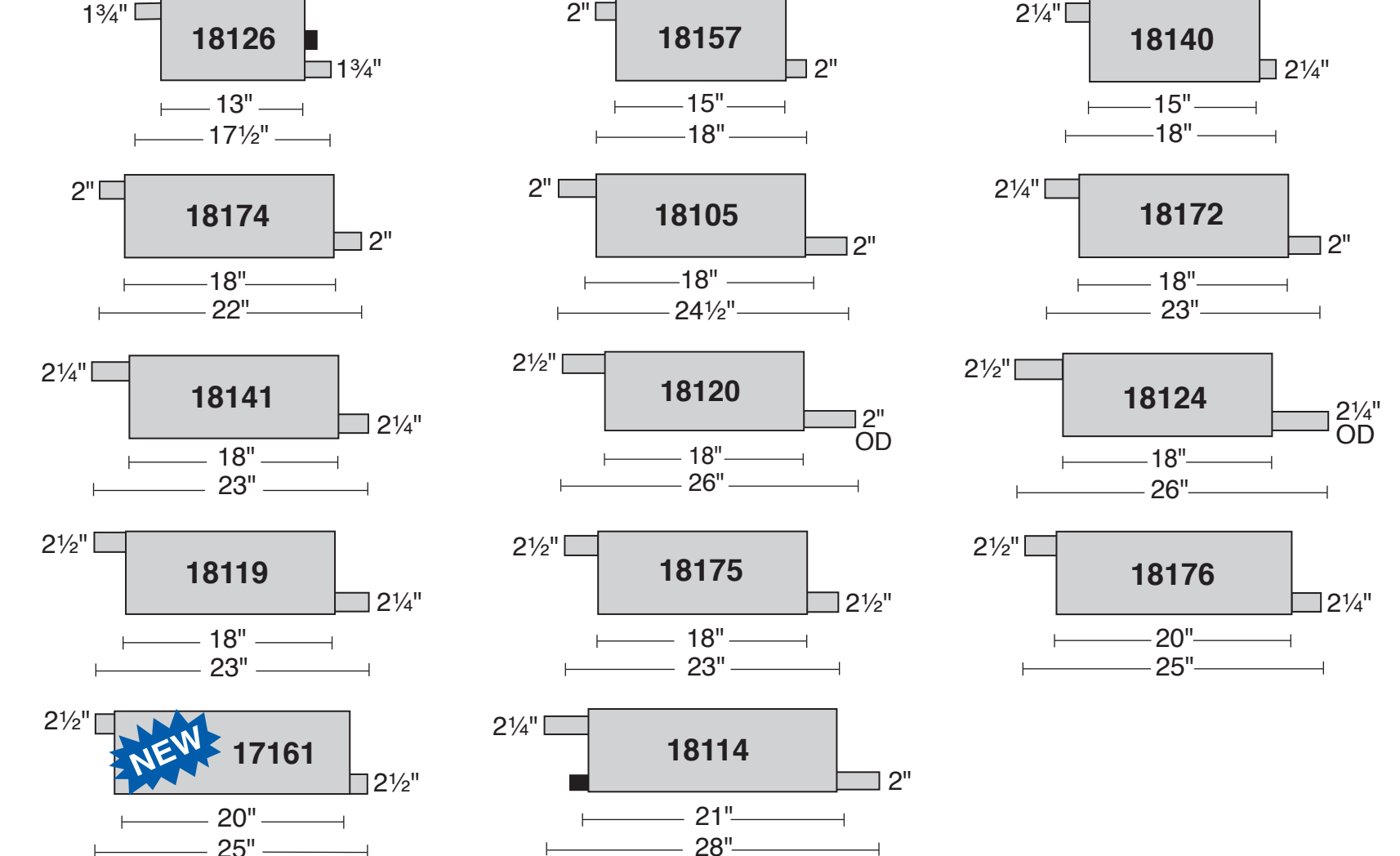
4 1/4" x 8 13/16" CENTER - OFFSET OR OFFSET - CENTER REVERSIBLE



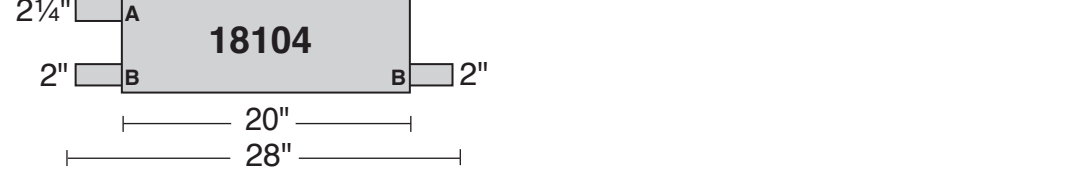
4 1/4" x 8 13/16" CENTER - OFFSET/OFFSET (DUAL OUTLETS)



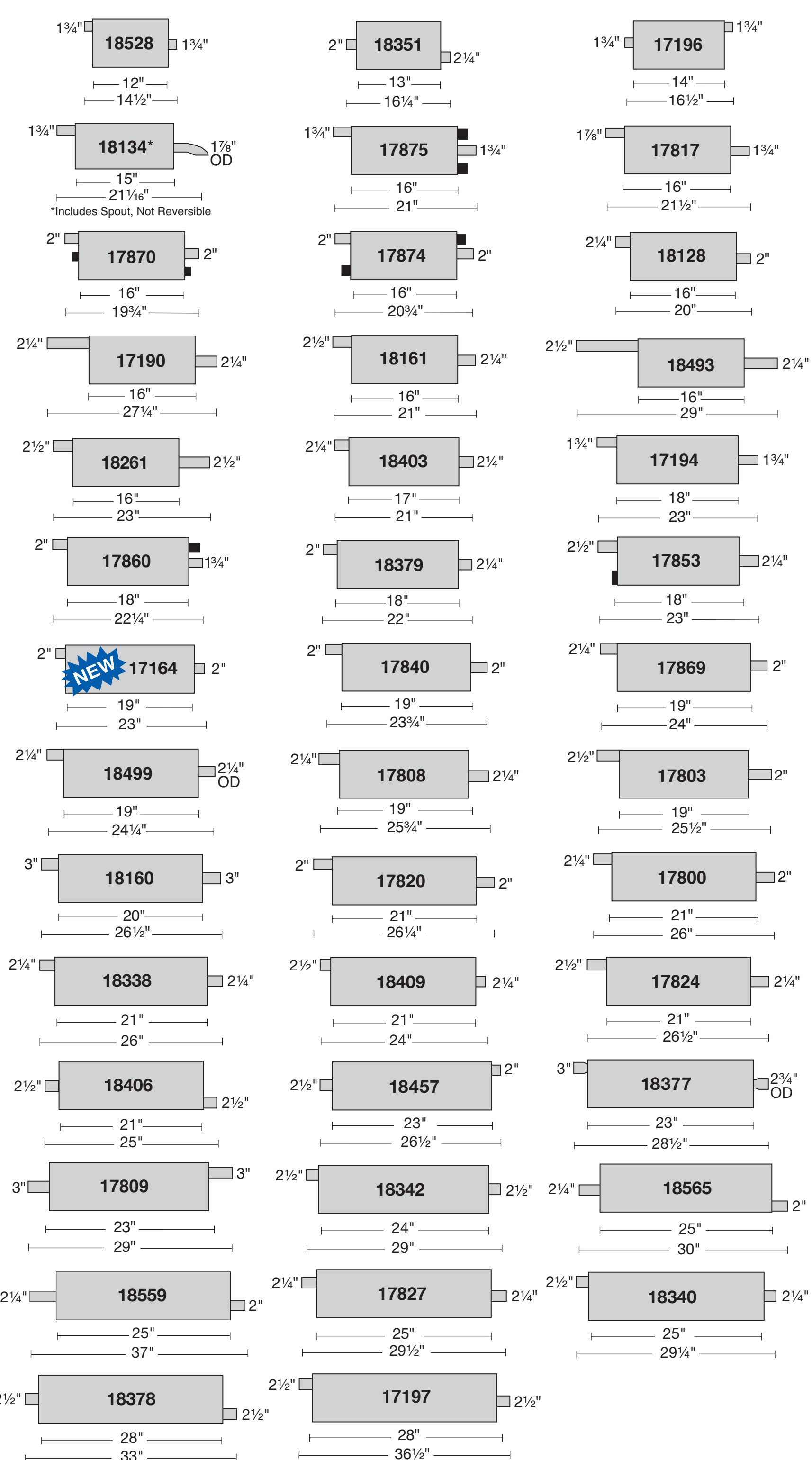
4 1/4" x 8 13/16" OFFSET - OFFSET REVERSIBLE



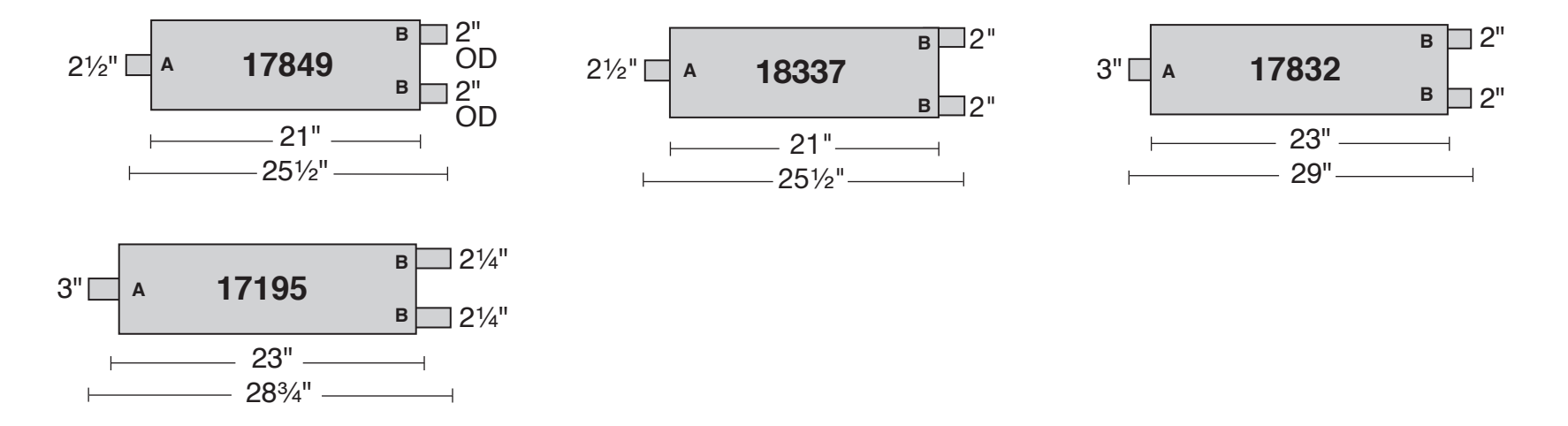
4 1/4" x 8 13/16" OFFSET - OFFSET/OFFSET (TRANSVERSE)



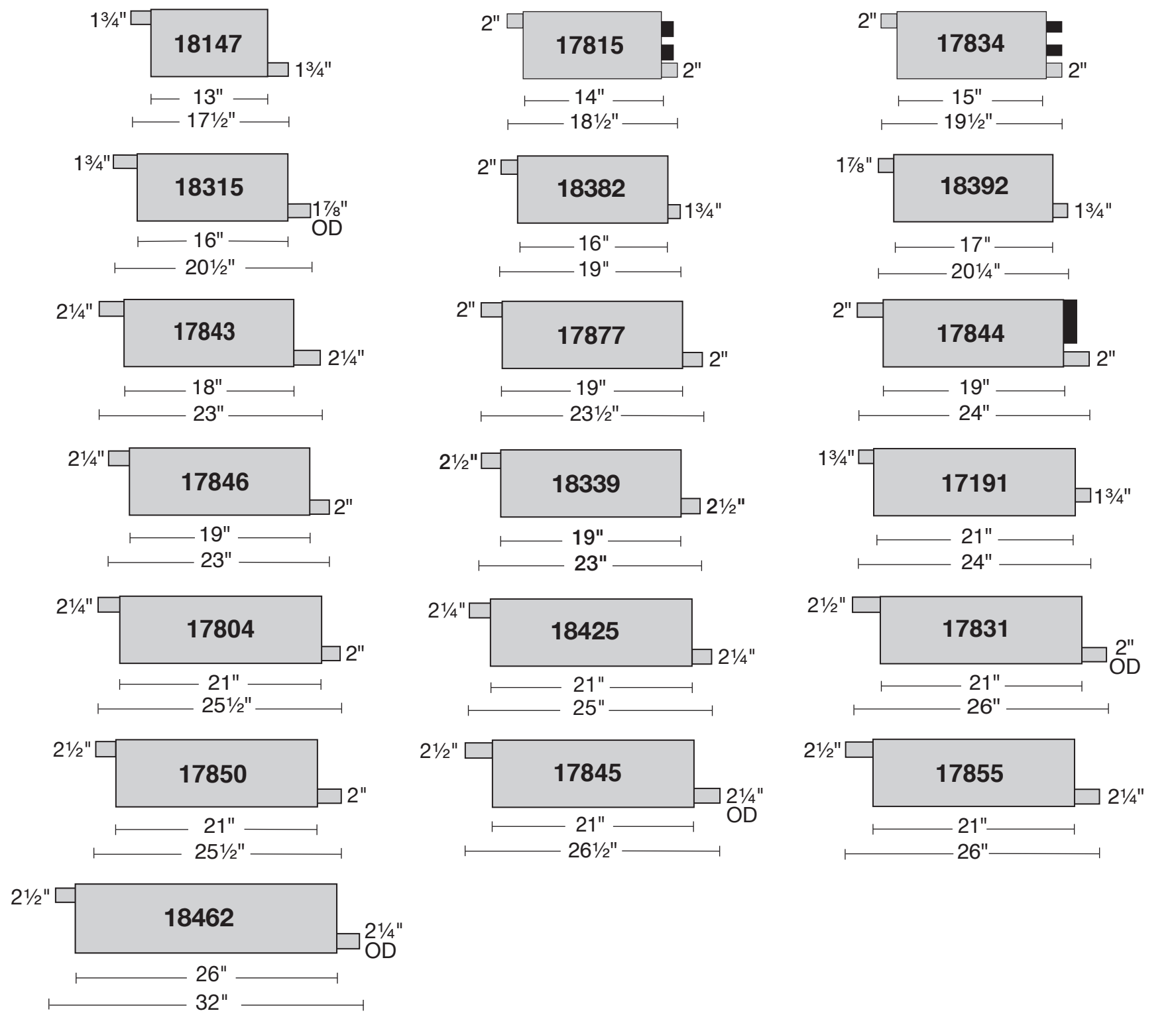
4 1/4" x 9 3/4" CENTER - OFFSET OR OFFSET - CENTER REVERSIBLE



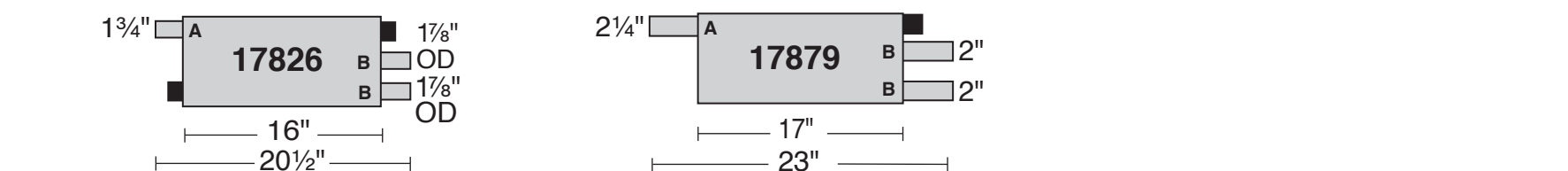
4 1/4" x 9 3/4" CENTER - OFFSET/OFFSET (DUAL OUTLETS)



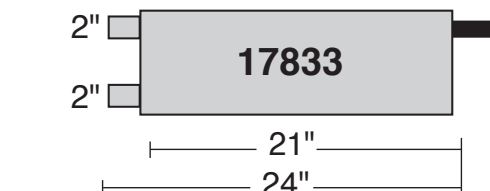
4 1/4" x 9 3/4" OFFSET - OFFSET REVERSIBLE



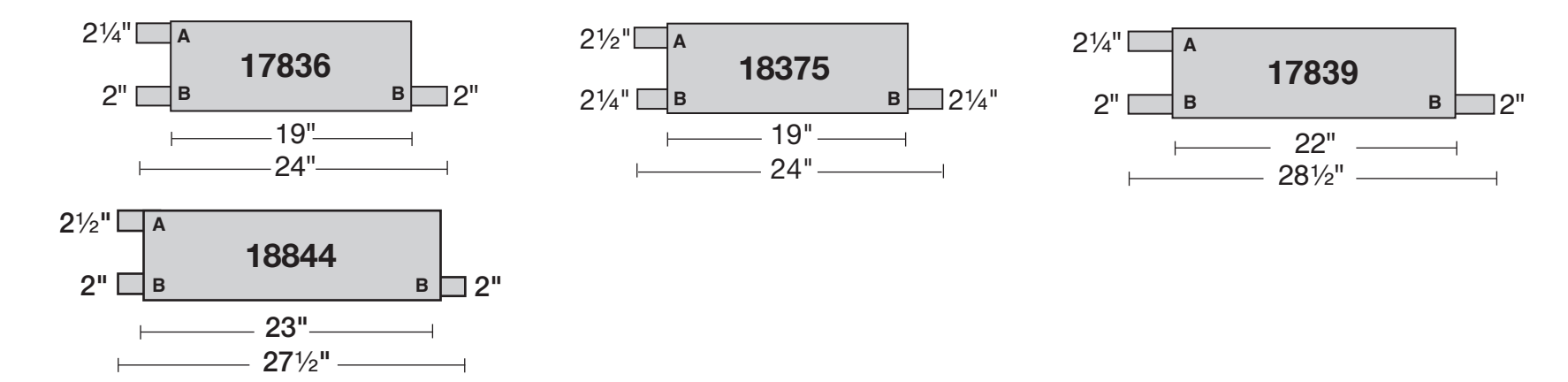
4 1/4" x 9 3/4" OFFSET - CENTER/OFFSET (DUAL OUTLETS)



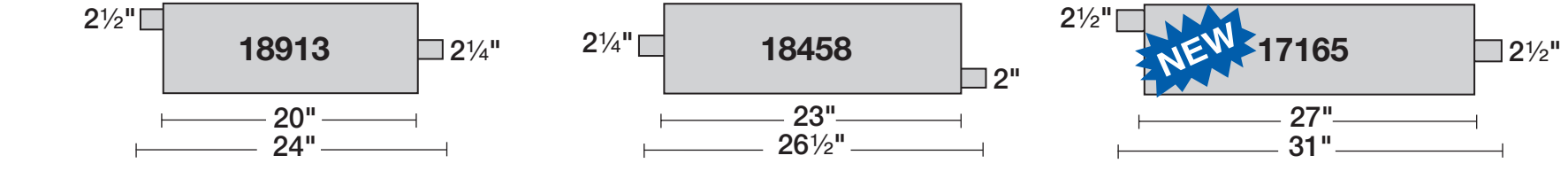
4 1/4" x 9 3/4" OFFSET/OFFSET (SAME SIDE)



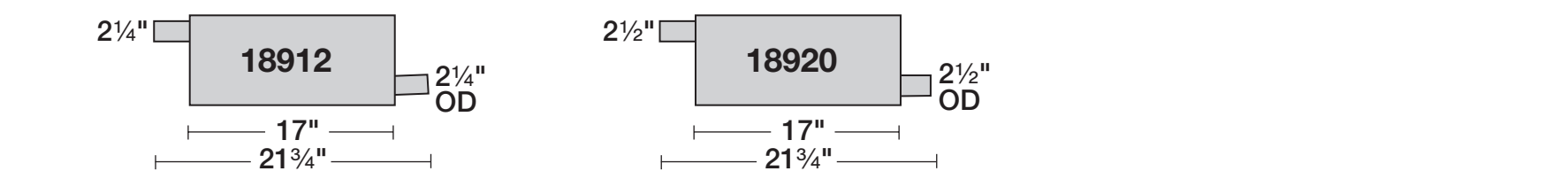
4 1/4" x 9 3/4" OFFSET - OFFSET/OFFSET (TRANSVERSE)



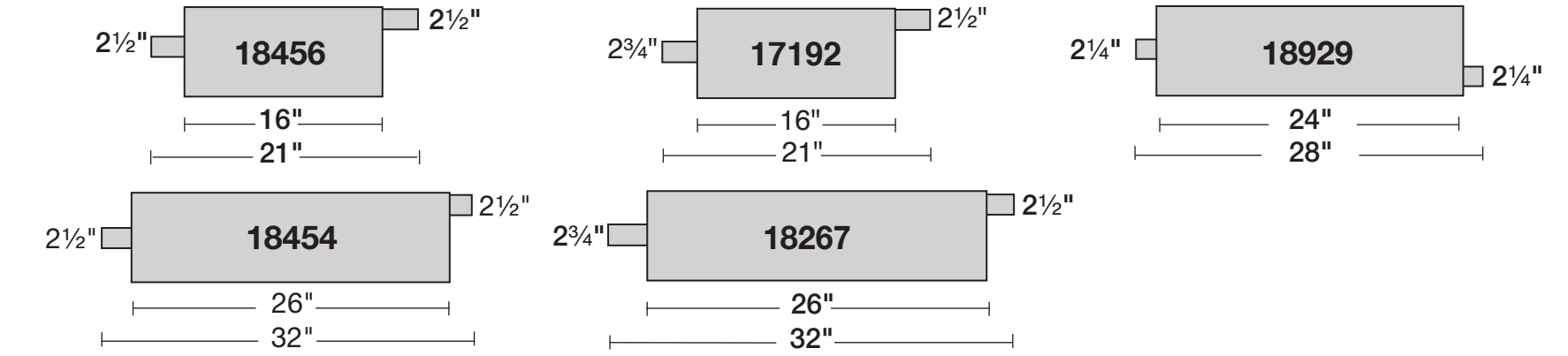
5 1/2" x 11" CENTER - OFFSET OR OFFSET - CENTER REVERSIBLE



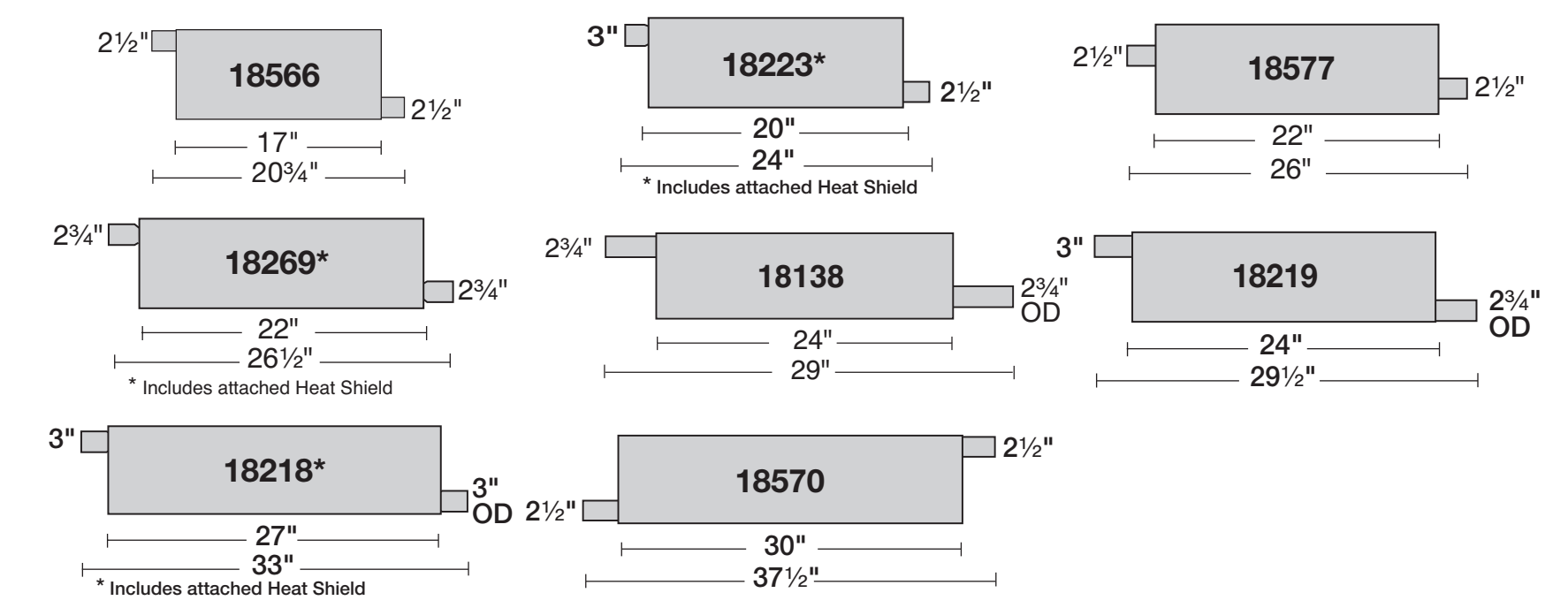
5 1/2" x 11" OFFSET - OFFSET REVERSIBLE



7" x 9" CENTER - OFFSET OR OFFSET - CENTER REVERSIBLE



7" x 9" OFFSET - OFFSET REVERSIBLE



7" x 9" OFFSET/OFFSET (DUAL INLETS) - OFFSET

